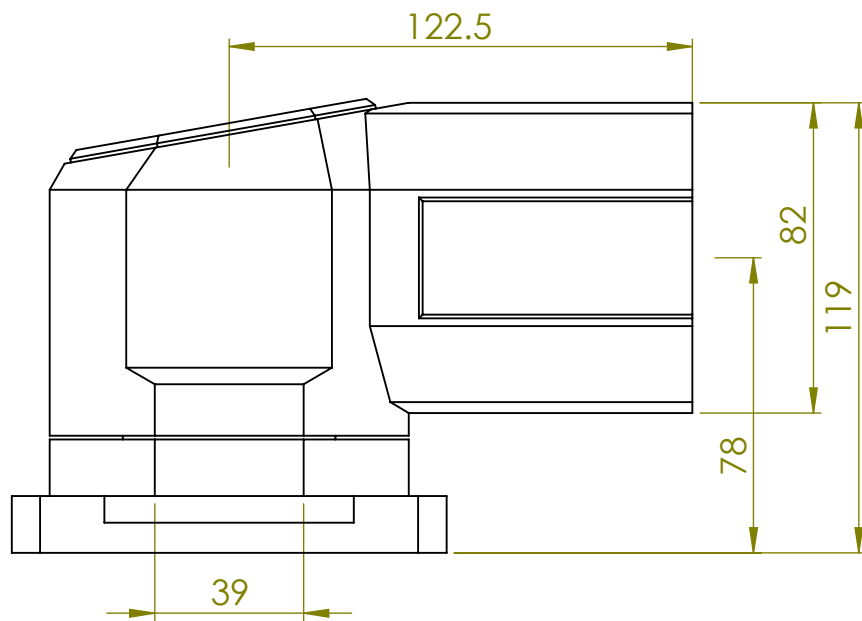
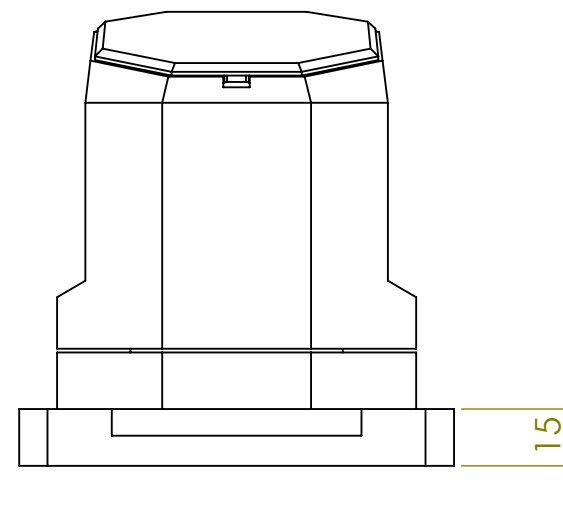


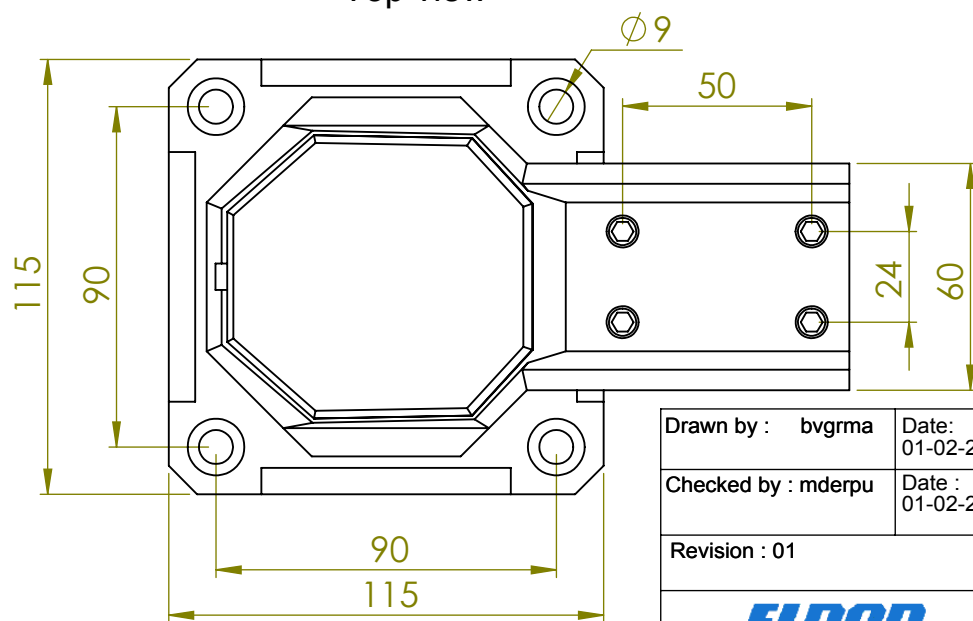
Front view



Side view



Top view



Drawn by : bvgрма	Date: 01-02-2013	Finish : Silver anodized	SCALE:1:2	General tolerances according to Norm ISO 2768-1	
Checked by : mderpu	Date : 01-02-2013			Fine	Medium
Revision : 01				Coarse	Reference number :
		Swing arms accessories, Set-up joint		SASJ1SL	
				Page 1/1	

A4