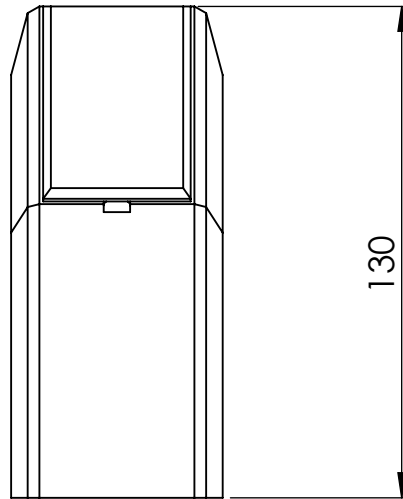
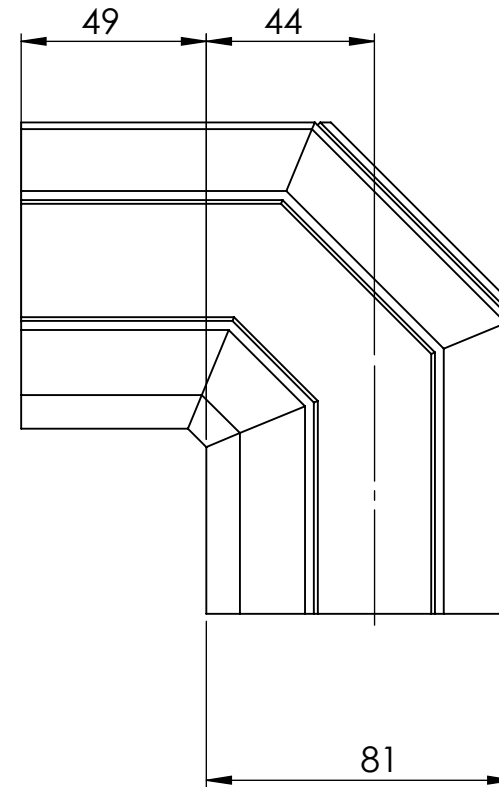


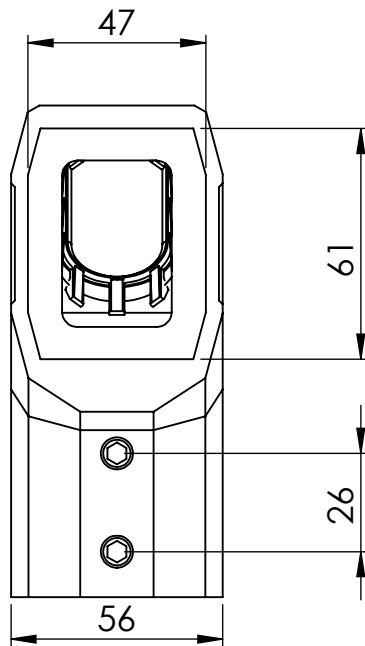
Front view



Front view



Bottom view



Drawn by : bvgрма	Date: 13-12-2012	Finish : RAL 7035	SCALE:1:2	General tolerances according to Norm ISO 2768-1		
Checked by : mderpu	Date : 13-12-2012					
Revision : 01				Fine	Medium	Coarse
		Swing arm SL, Elbow		Reference number :		
				SAE1SL		A4
				Page 1/1		