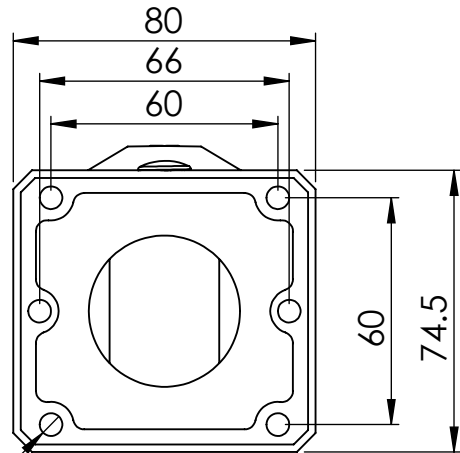
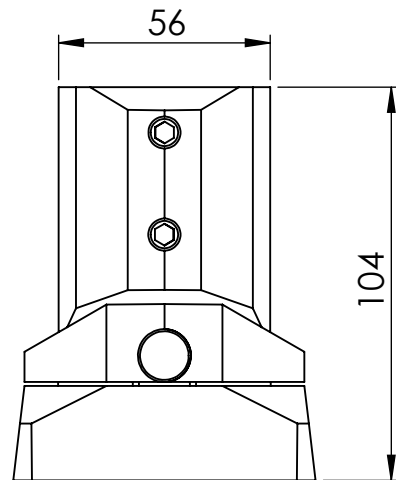


Bottom view

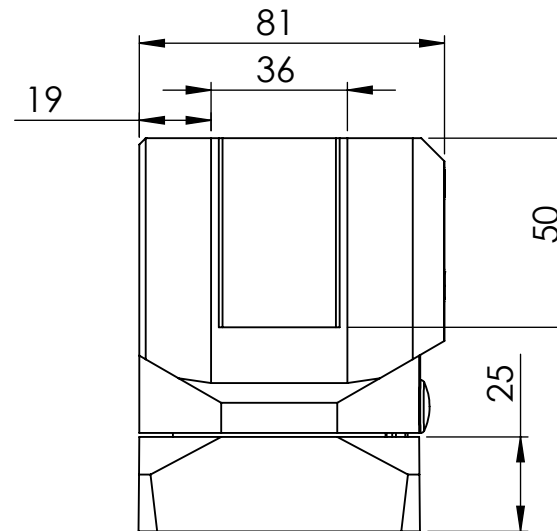


Front view



Ø6

Side view



Drawn by : bvgрма	Date: 30-01-2013	Finish : RAL 7035	SCALE:1:2	General tolerances according to Norm ISO 2768-1		
Checked by : mderpu	Date : 30-01-2013					
Revision : 01				Fine	Medium	Coarse
		Swing arm SL, Coupling		Reference number :		
				SAC1SL		
				Page 1/1		

A4