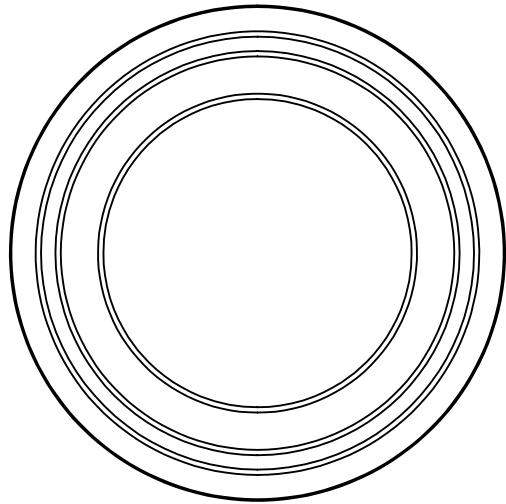
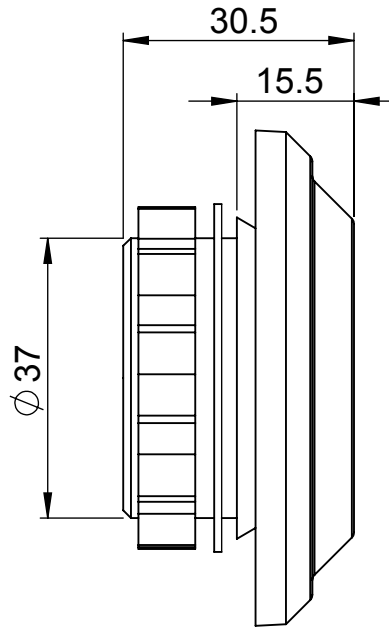


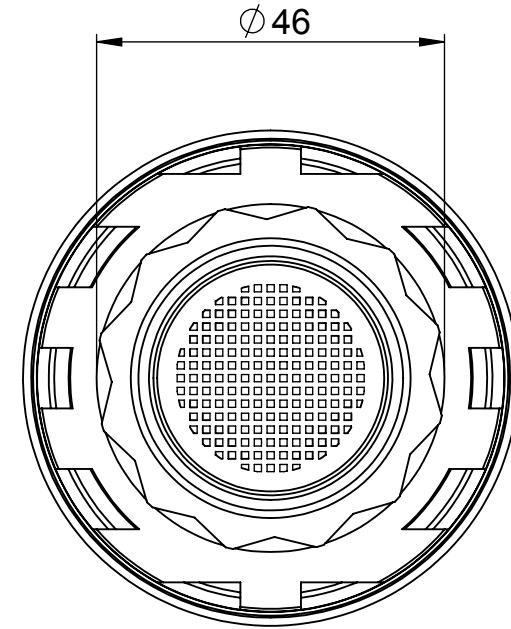
Front view



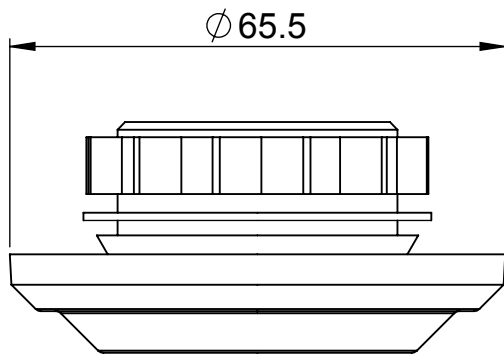
Side view



Rear view



Top view



Drawn by : bvgрма	Date: 20-12-2012	Finish : Light grey	SCALE:1:1	General tolerances according to Norm ISO 2768-1	
Checked by : mderpu	Date : 20-12-2012			Fine	Medium
Revision : 01				Coarse	
		Thermal management, Pressure compensation plug		Reference number : PVD02	
		Weight: 0,031 Kg		A4	
				Page 1/1	