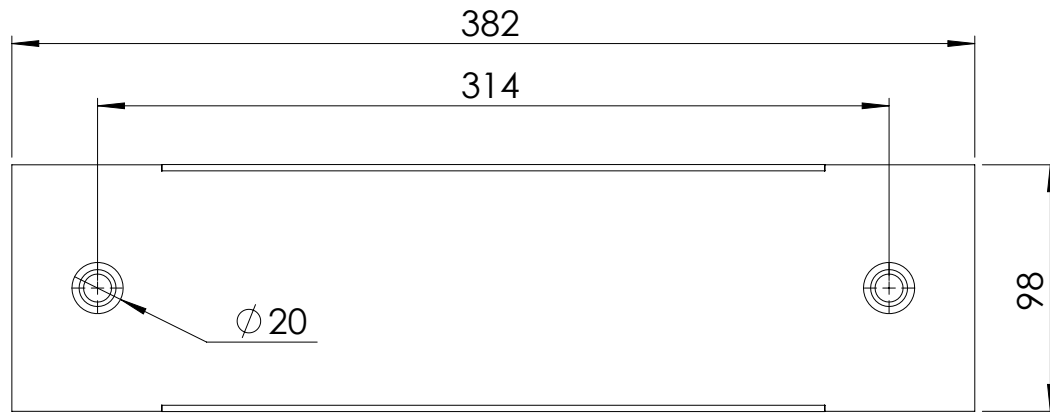
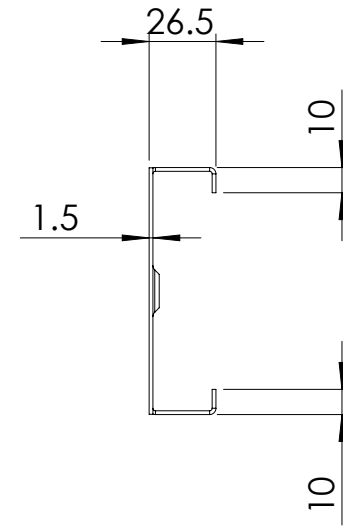


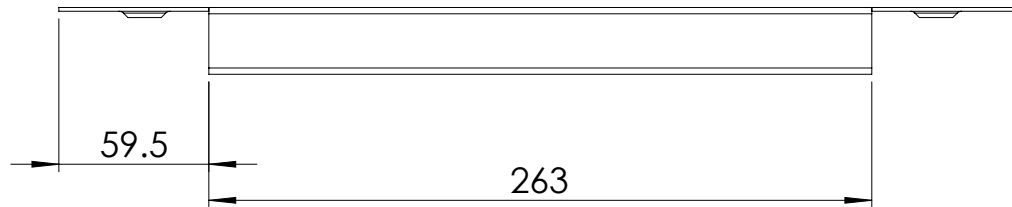
Front view





Side view



Top view



Drawn by : bvgma	Date: 20-03-2013	Finish : RAL 7022	SCALE:1:3	General tolerances according to Norm ISO 2768-1		
Checked by : mderpu	Date: 20-03-2013					
Revision : 01				Fine	Medium	Coarse
		Floor Standing Enclosures Accessories, Side Plinths Multi-K		Reference number :		
		100 mm x 400 mm		PSK1040		
				Page 1/1		

A4