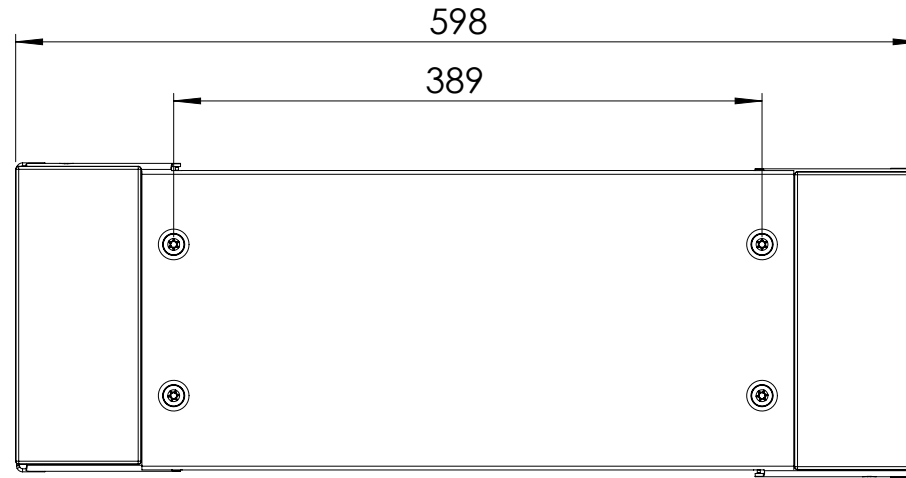
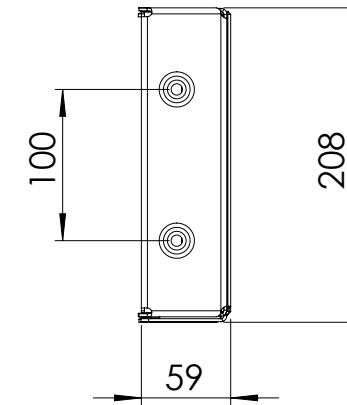


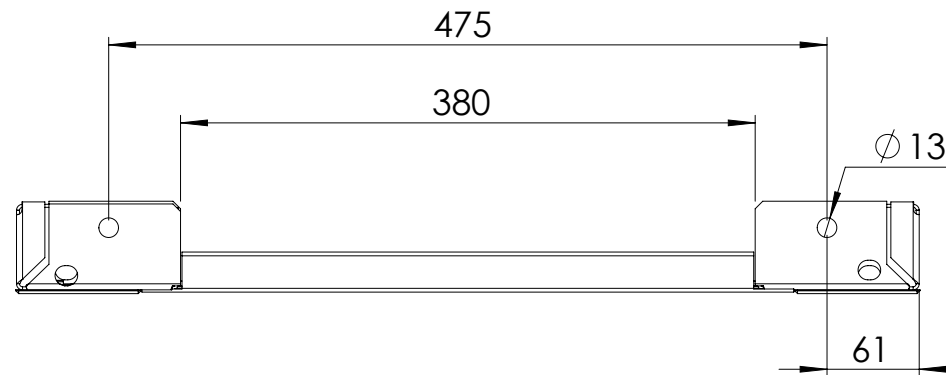
Front view



Side view



Top view



Drawn by : bvgрма	Date: 05-06-2013	Finish : RAL 7022	SCALE:1:5	General tolerances according to Norm ISO 2768-1		
Checked by : mderpu	Date: 05-06-2013					
Revision : 01				Fine	Medium	Coarse
		Floor Standing Enclosures Accessories, Front/Rear Plinths		Reference number :		
		200 mm x 600 mm		PF2060		
				Page 1/1		

A4