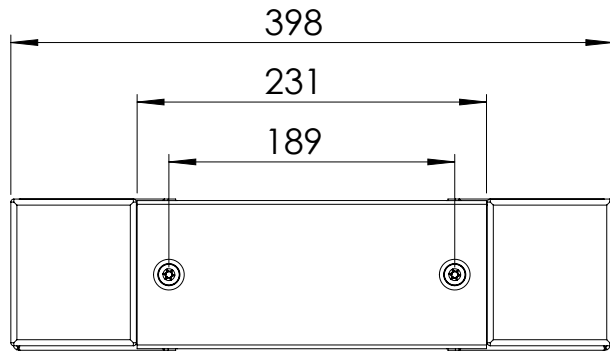
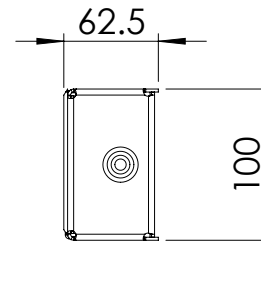


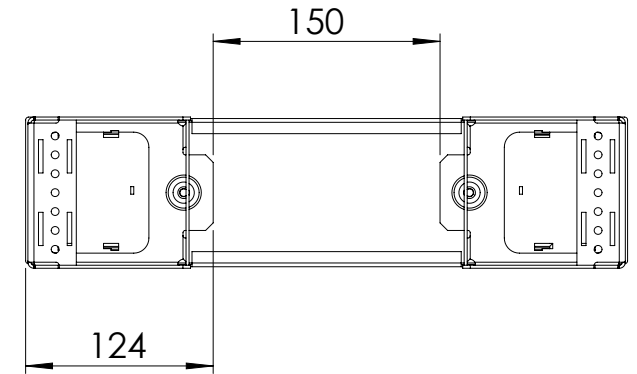
Front view



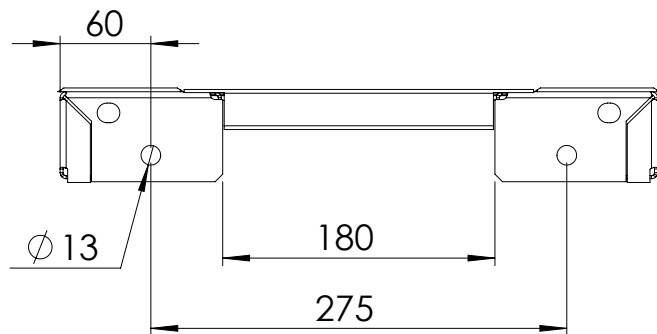
Side view



Rear view



Top view



Drawn by : bvgрма	Date: 12-03-2013	Finish : RAL 7022	SCALE:1:5	General tolerances according to Norm ISO 2768-1		
Checked by : mderpu	Date: 12-03-2013					
Revision : 01				Fine	Medium	Coarse
		Floor Standing Enclosures Accessories, Front/Rear Plinths		Reference number :		
		100 mm x 400 mm		PF1040		A4
				Page 1/1		