

Partial mounting plate

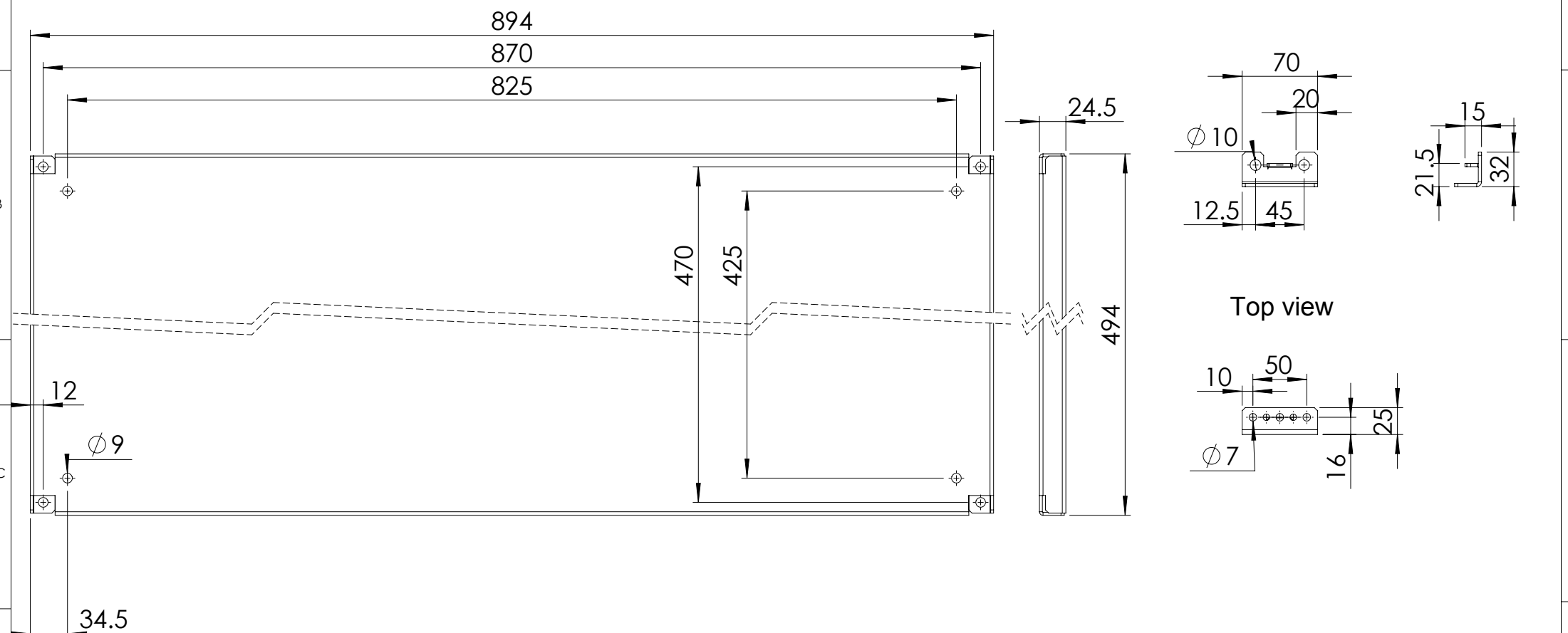
Partial mounting bracket

Front view

Side view

Front view

Side view



Drawn by : bvgрма	Date: 29-03-2013	Finish : Galvanized steel	SCALE:1:5	General tolerances according to Norm ISO 2768-1		
Checked by : mderpu	Date: 29-03-2013					
Revision : 01				Fine	Medium	Coarse
		Floor Standing Enclosures Accessories, Partial height mounting plate		Reference number :		
		600 mm x 1000 mm		MPP0610		
				Page 1/1		

A4