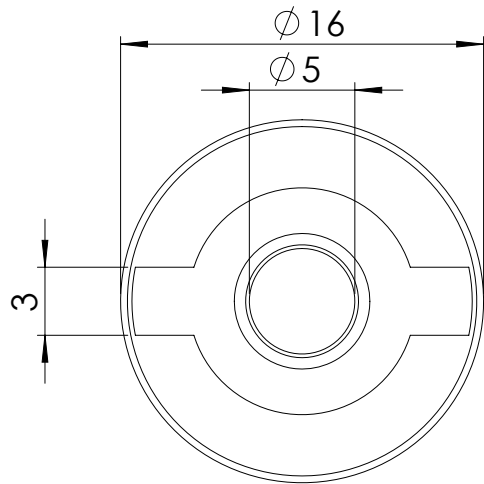
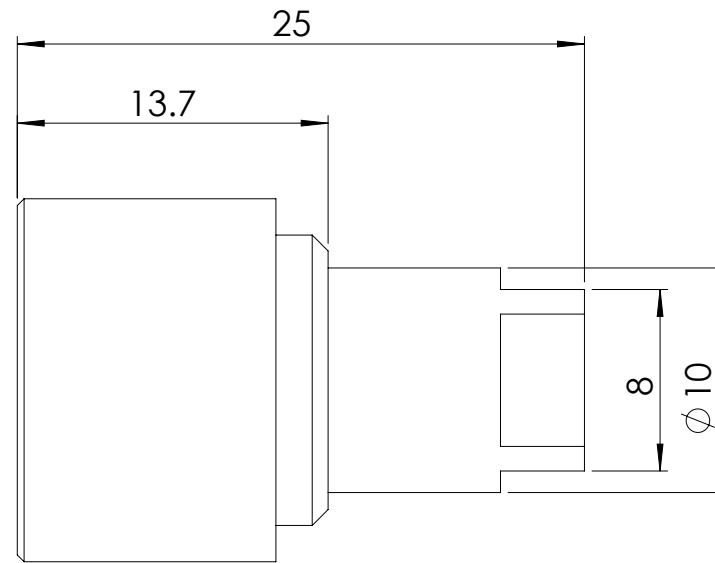


Front view



Side view



Drawn by : bvgрма	Date: 20-05-2013	Finish : Aluminium alloy	SCALE:3:1	General tolerances according to Norm ISO 2768-1		
Checked by : mderpu	Date : 20-05-2013					
Revision : 01				Fine	Medium	Coarse
		Floor Standing Enclosures Accessories, Inserts		Reference number :		
		Double-bit 5 mm		LSI505		A4
				Page 1/1		