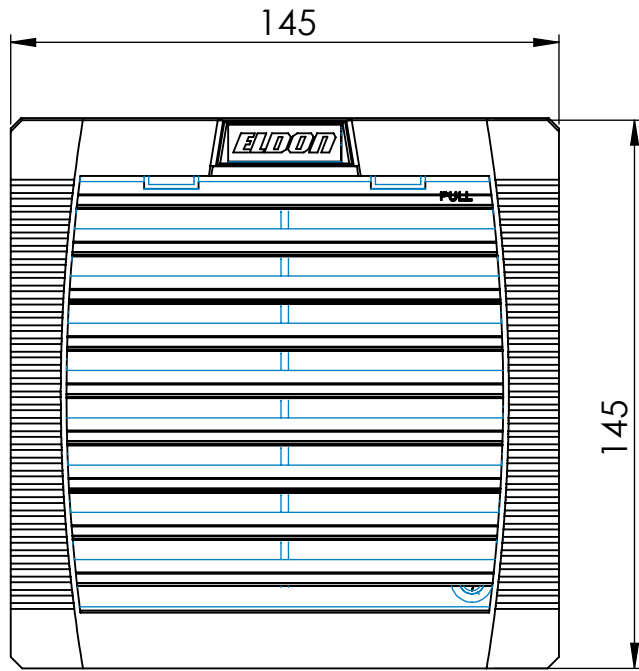
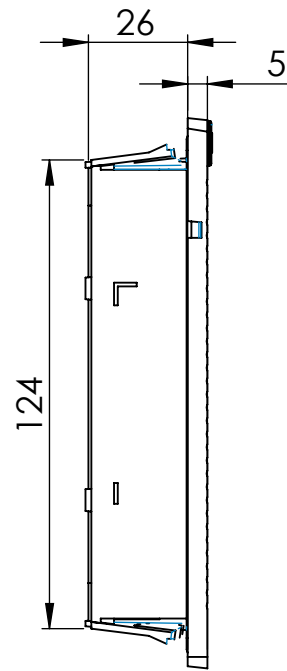


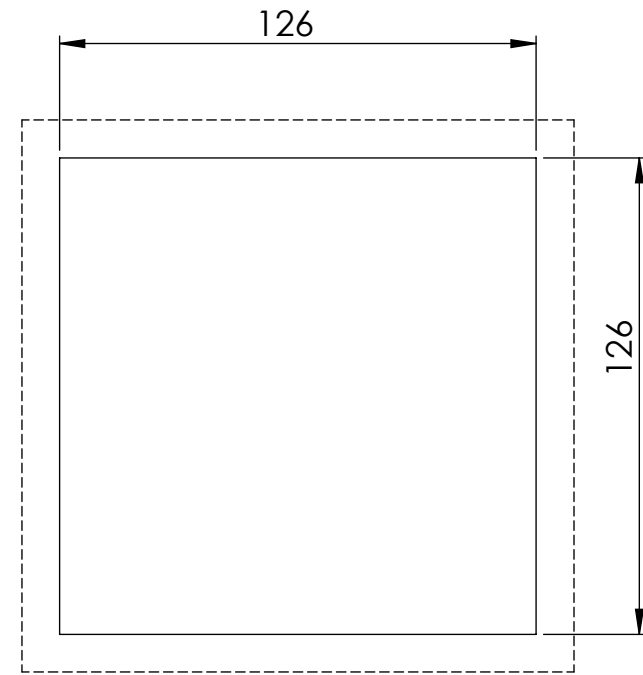
Front view



Side view



Cut-out



Drawn by : bvgрма	Date: 08-02-2013	Finish : RAL 7035	SCALE:1:2	General tolerances according to Norm ISO 2768-1		
Checked by : mderpu	Date : 08-02-2013					
Revision : 01				Fine	Medium	Coarse
		Thermal management, Exhaust filter		Reference number : EFA200R5		A4
		Cut-out dimensions : 126 mm x 126 mm				
				Page 1/1		