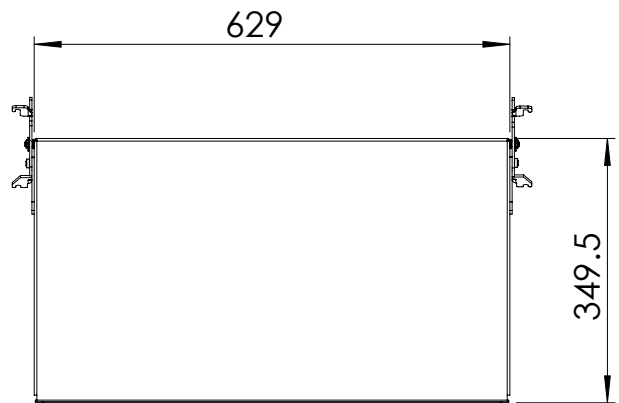
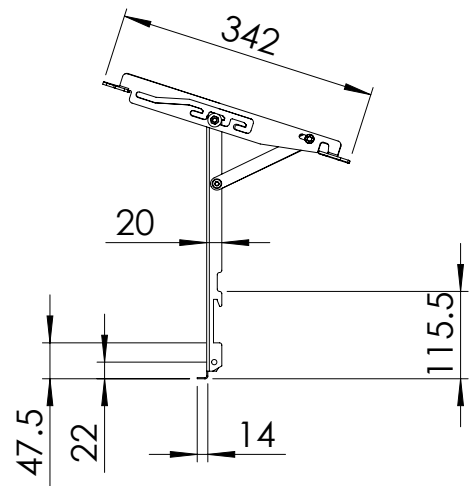


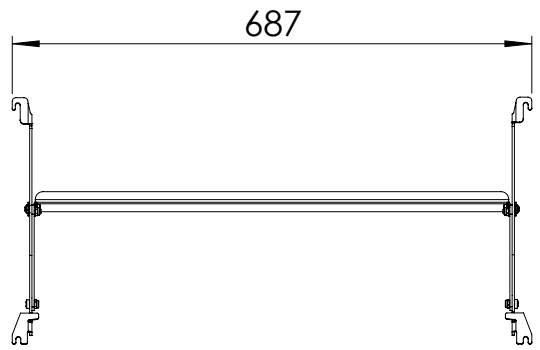
Front view



Side view



Top view



Drawn by : bvgрма	Date: 28-03-2013	Finish : RAL 7035	SCALE:1:10	General tolerances according to Norm ISO 2768-1		
Checked by : mderpu	Date: 28-03-2013					
Revision : 01				Fine	Medium	Coarse
		Floor Standing Enclosures Accessories, Drawing desk		Reference number :		
		800 mm		DDK800R5		
				Page 1/1		

A4