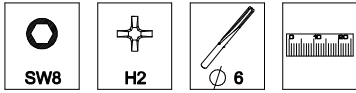
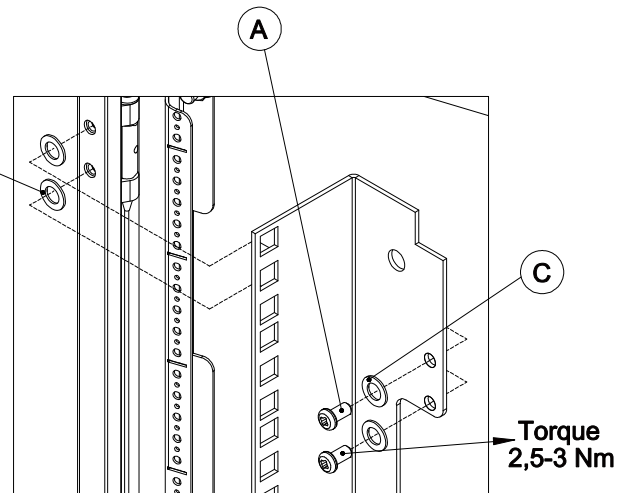
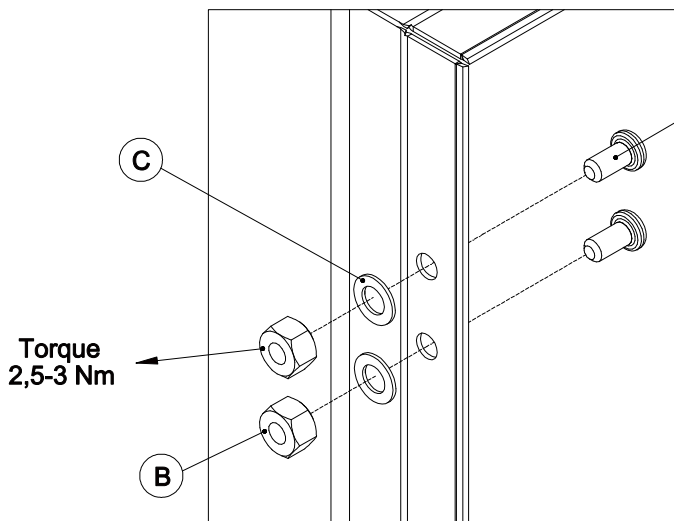
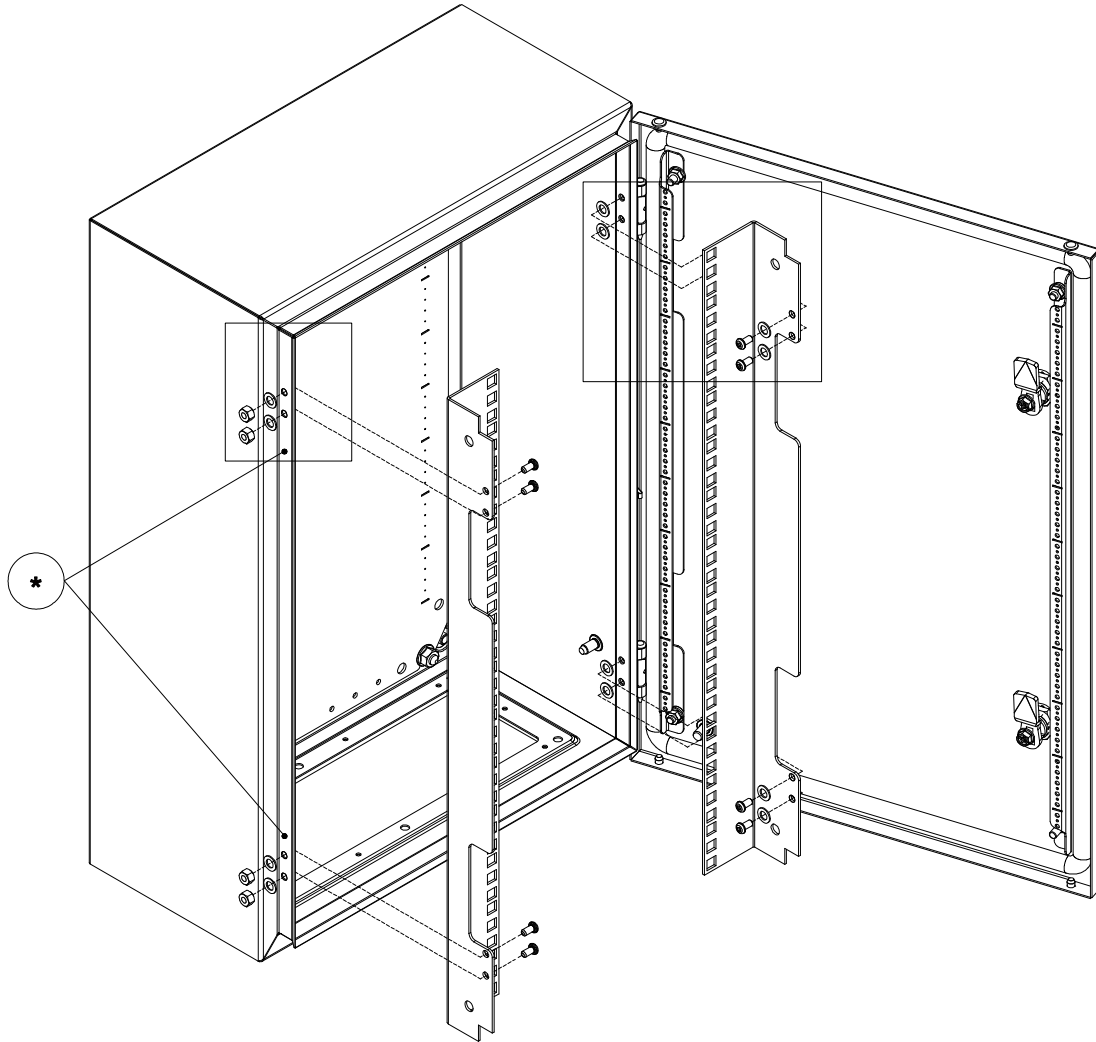


AVP



Ref.	Pic.	
A		8
B		4
C		12



* - Machining needed only on stainless steel enclosures