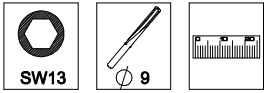
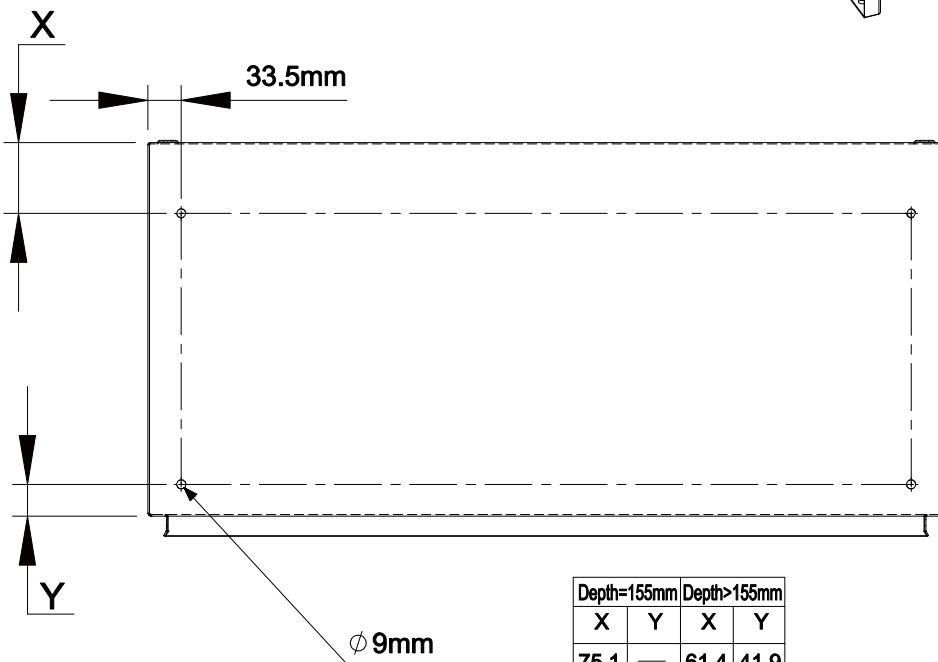
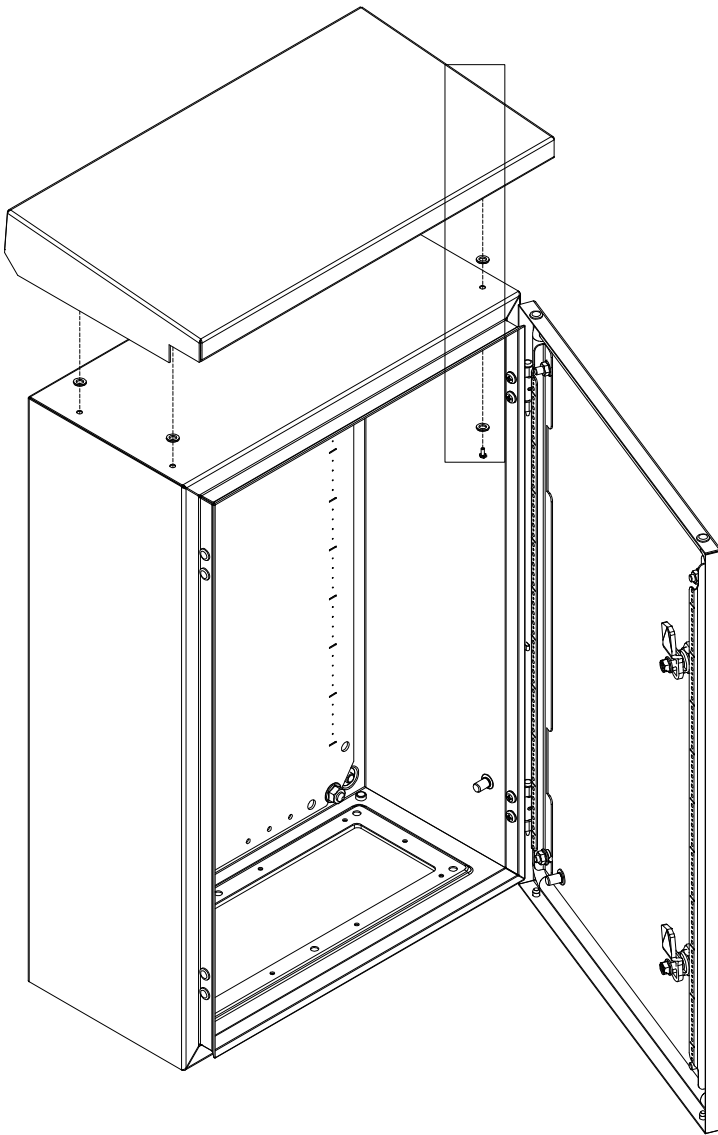


ARF



| Ref. | Pic. | |
|------|------|------------|
| A | | M8x20 4 |
| B | | M8 4 |
| C | | M8 Nylon 4 |



| Depth=155mm | | Depth>155mm | |
|-------------|---|-------------|------|
| X | Y | X | Y |
| 75,1 | — | 61,4 | 41,9 |

