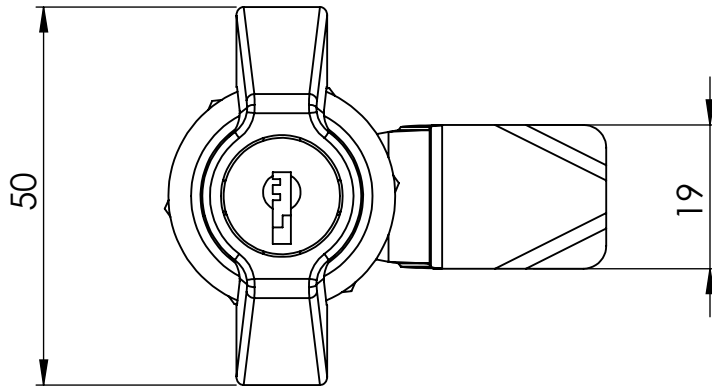
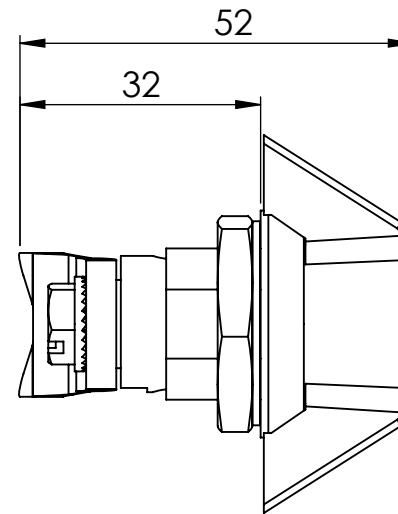


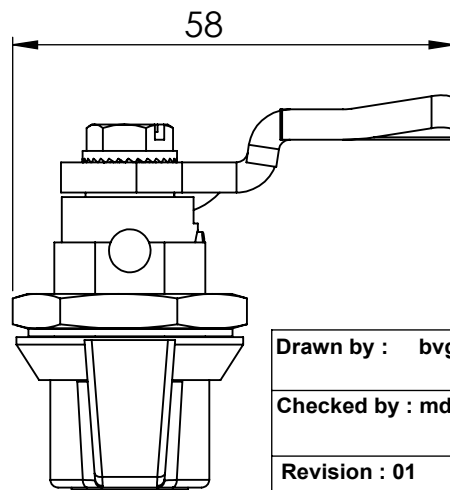
Front view



Side view



Top view



Drawn by : bvgрма

Date: 16-01-2013

SCALE:1:1

Checked by : mderpu

Date : 16-01-2013



General tolerances according to Norm ISO 2768-1

Revision : 01

Fine

Medium

Coarse



Wall Mounting Accessories, Handles

Chrome plated handle with cylinder lock, key
C21323

Reference number :

ALT562

A4