

# Accessories

## Connectors and cables

### Female connector M23, 12-pin



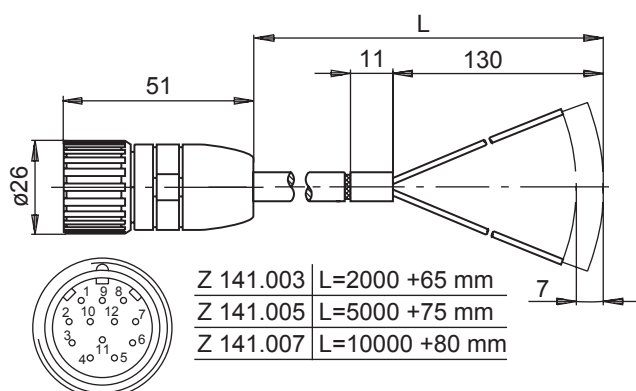
#### Part number

Z 141.001	Female connector M23, 12-pin, less cable
Z 141.003	Female connector M23, 12-pin, 2 m cable
Z 141.005	Female connector M23, 12-pin, 5 m
Z 141.007	Female connector M23, 12-pin, 10 m cable

#### Suitable for

G0333 , G0355, G0356, G110H, G110S, GI330 , GI331 , GI332 , GI333 , GI355, GI356, GI357

#### Dimensions



#### Features

- Female connector M23 with screwable nut
- With or without cable (shielded) in different lengths
- Cable version: shield is on the connector housing

#### Technical data

Voltage supply	60 VDC
Core diameter	1.05 ±0.05 mm
Cable length	2 m, 5 m, 10 m (further length upon request)
Cable type	LiY(C)11Y 10x0.14 mm <sup>2</sup> (shielded cable)
Bending radius	5 x cable diameter
Outer diameter	6 ±0.2 mm
Operating temperature	-40...+105 °C
Conductor resistance	<135 Ω/km (20 °C)
Material	Cable sheath: PUR black

#### Terminal assignment

Connector	Core colour
Pin 1	pink
Pin 2	blue
Pin 3	red
Pin 4	black
Pin 5	brown
Pin 6	green
Pin 7	–
Pin 8	grey
Pin 9	–
Pin 10	white/green
Pin 11	white
Pin 12	brown/green