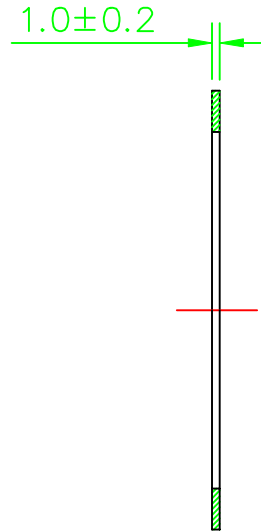
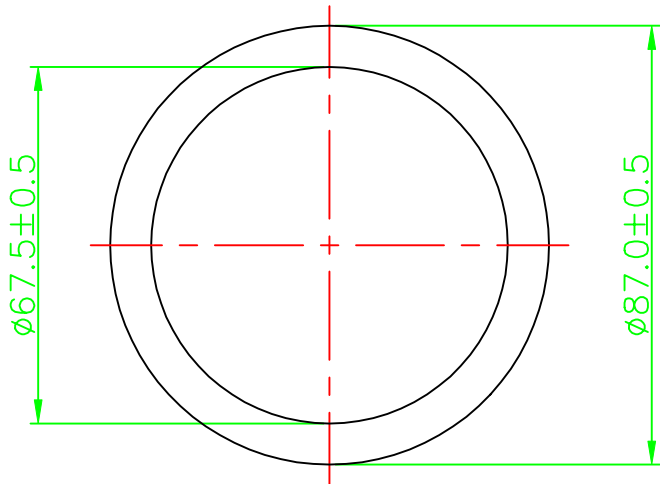


SEALING KIT

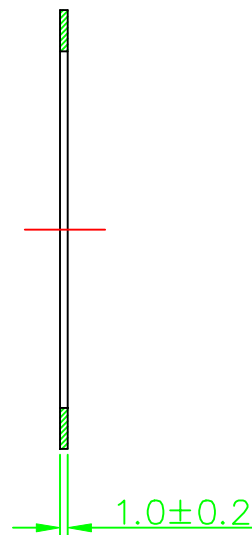
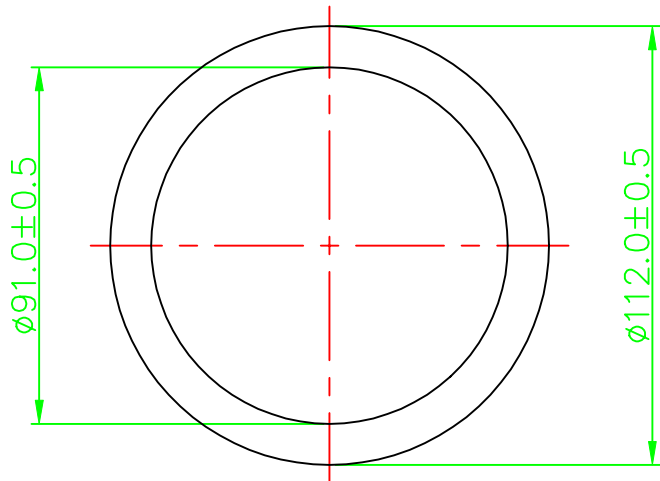
SK80



PLUS 'O' SEAL ID 79.5 ± 0.4 X 3.0 ± 0.1 CSA

SEALING KIT

SK106



PLUS 'O' SEAL ID 114.5 ± 0.5 X 3.0 ± 0.1 CSA



BIRMINGHAM ENGLAND

MATERIAL **NITRILE RUBBER 70 SHORE D**

FINISH **-**

COLOUR **BLACK**

DATE **05/01/06**

CHARTS 167

TITLE

**SEALING KIT
LARGE DIAMETER
DATA SHEET**

This drawing/document is a COPYRIGHT and the property ADAPTAFLEX LIMITED It must not be copied (in whole or part) used for manufacture or otherwise disclosed without prior written consent of the company. The Company's policy is one of continuous improvement and it therefore reserves the right to change specifications at any time without notice.