

XAPE301

Harmony XAP, XB2 SL, Drilled front plate, metal, 1 cut-out, 72 x 72 mm, Ø22



Main

| | |
|-------------------------------|---|
| Range of product | Harmony XAP |
| Product or component type | Front plate with fixing screws |
| Device short name | XAPE |
| Product destination | For Ø 22 mm control and signalling units |
| Product front plate size | 72 x 72 mm |
| Number of cut-out | 1 cut-out |
| Material | Anodised aluminium |
| Device mounting | Flush |
| IP degree of protection | IP65 conforming to IEC 60529 IP657 conforming to NF C 20-010 |
| Resistance to chemical agents | Good resistant to acetone Good resistant to alcohols Good resistant to chloride and fluoride solvents Good resistant to diluted mineral acids Good resistant to oils and petrol Good resistant to organic acids Good resistant to salts |

Complementary

| | |
|------------|---------|
| Net weight | 0.05 kg |
|------------|---------|

Environment

| | |
|---------------------------------------|--|
| Protective treatment | TH TC |
| Ambient air temperature for storage | -40...70 °C |
| Ambient air temperature for operation | -25...70 °C |
| Overvoltage category | Class I conforming to IEC 60536 Class I conforming to NF C 20-030 |

Packing Units

| | |
|------------------------------|-----------|
| Unit Type of Package 1 | PCE |
| Number of Units in Package 1 | 1 |
| Package 1 Weight | 64.0 g |
| Package 1 Height | 2.7 cm |
| Package 1 width | 12.9 cm |
| Package 1 Length | 15.6 cm |
| Unit Type of Package 2 | P06 |
| Number of Units in Package 2 | 240 |
| Package 2 Weight | 27.764 kg |
| Package 2 Height | 45 cm |
| Package 2 width | 80 cm |
| Package 2 Length | 60 cm |
| Unit Type of Package 3 | S02 |
| Number of Units in Package 3 | 30 |
| Package 3 Weight | 2.408 kg |
| Package 3 Height | 15 cm |
| Package 3 width | 30 cm |
| Package 3 Length | 40 cm |

Offer Sustainability

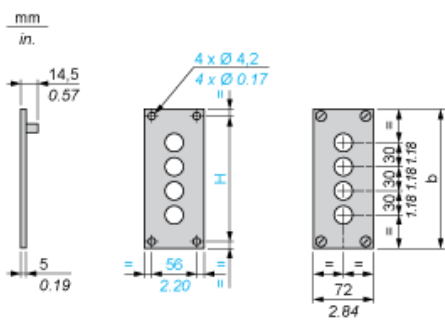
| | |
|----------------------------|---|
| Sustainable offer status | Green Premium product |
| REACH Regulation | REACH Declaration |
| REACH free of SVHC | Yes |
| EU RoHS Directive | Pro-active compliance (Product out of EU RoHS legal scope) EU RoHS Declaration |
| Toxic heavy metal free | Yes |
| Mercury free | Yes |
| RoHS exemption information | Yes |
| China RoHS Regulation | China RoHS Declaration |
| Environmental Disclosure | Product Environmental Profile |
| Circularity Profile | End Of Life Information |
| California proposition 65 | WARNING: This product can expose you to chemicals including: Di-isodecyl phthalate (DIDP), which is known to the State of California to cause birth defects or other reproductive harm. For more information go to www.P65Warnings.ca.gov |

Contractual warranty

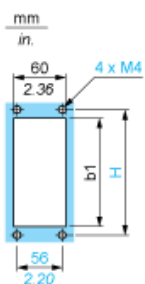
| | |
|----------|-----------|
| Warranty | 18 months |
|----------|-----------|

Dimensions and Fixing

Below drawing shows a front plate with 4 cut-outs. Refer to the product characteristics to get the number of cut-outs.



Panel cut-out



| b | | b1 | | H | |
|----|------|----|------|----|------|
| mm | in. | mm | in. | mm | in. |
| 72 | 2.83 | 44 | 1.73 | 56 | 2.20 |