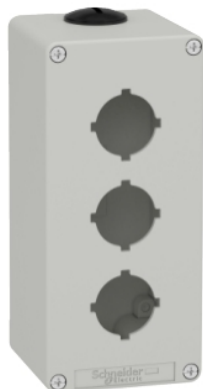


# XAPD3603

Harmony XAP, XB2 SL, Empty control station, zinc alloy, grey, M25, 3 cut-outs 30mm with notches, 80 x 175 x 77



## Main

|                               |  |
|-------------------------------|--|
| Range of product              | Harmony XAP  |
| Product or component type     | Die-cast empty control station                       |
| Device short name             | XAPD   |
| Product destination           | For Ø 30 mm control and signalling units             |
| Product front plate size      | 80 x 175 mm  |
| Usable depth                  | 74.5 mm  |
| Number of cut-out             | 3 cut-outs   |
| Colour of base of enclosure   | Grey (RAL 7035)                                      |
| Colour of cover               | Grey (RAL 7035)                                      |
| Material                      | Die cast zinc  |
| Sale per indivisible quantity | 1  |
| IP degree of protection       | IP65 conforming to EN/IEC 60529 and EN/IEC 60947-5-1 |

## Complementary

|                           |                                   |
|---------------------------|-----------------------------------|
| Number of vertical rows   | 1                                 |
| Number of horizontal rows | 3                                 |
| Cut-out dimensions        | Ø 30 mm                           |
| Control station type      | Metal                             |
| Cable entry               | 2 x cable gland conforming to ISO |
| Thread type               | M25 x 1.5                         |
| CAD overall width         | 80 mm                             |
| CAD overall height        | 175 mm                            |
| CAD overall depth         | 77 mm                             |
| Net weight                | 1.145 kg                          |

## Environment

|                                       |  |
|---------------------------------------|--|
| Protective treatment                  | TC   |
| Ambient air temperature for storage   | -40...70 °C                                  |
| Ambient air temperature for operation | -25...70 °C                                  |
| Electrical shock protection class     | Class I conforming to EN/IEC 61140           |
| IK degree of protection               | IK07 conforming to EN/IEC 62262              |
| Resistance to chemical agents         | Special treatment can be obtained on request |
| Product certifications                | EAC  |

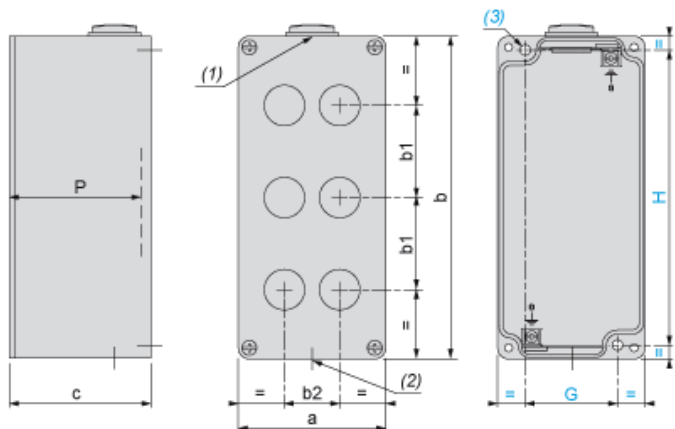
## Packing Units

|                              |         |
|------------------------------|---------|
| Unit Type of Package 1       | PCE     |
| Number of Units in Package 1 | 1       |
| Package 1 Weight             | 1.14 kg |
| Package 1 Height             | 7.7 cm  |
| Package 1 width              | 8.0 cm  |
| Package 1 Length             | 17.5 cm |

## Offer Sustainability

|                            |   |
|----------------------------|---|
| Sustainable offer status   | Green Premium product   |
| REACH Regulation           | <a href="#">REACH Declaration</a>   |
| REACH free of SVHC         | Yes   |
| EU RoHS Directive          | Pro-active compliance (Product out of EU RoHS legal scope) <a href="#">EU RoHS Declaration</a>  |
| Mercury free               | Yes   |
| RoHS exemption information | <a href="#">Yes</a>   |
| China RoHS Regulation      | <a href="#">China RoHS Declaration</a>  |
| Environmental Disclosure   | <a href="#">Product Environmental Profile</a>   |
| California proposition 65  | WARNING: This product can expose you to chemicals including: Lead and lead compounds, which is known to the State of California to cause cancer and birth defects or other reproductive harm. For more information go to <a href="http://www.P65Warnings.ca.gov">www.P65Warnings.ca.gov</a> |

Dimensions and Fixing



(1): 1 hole, with blanking plug (protrusion 6 mm/0.24 in.), for cable gland ISO M25 x 1.5

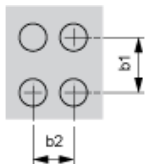
(2): 1 hole, without blanking plug, for cable gland ISO M25 x 1.5

(3): 2 x Ø 5.6 mm/0.22 in. holes, depth 19 mm/0.75 in.

P: Usable depth

| a  |      | b   |      | c  |      | G  |      | H   |      | P    |      |
|----|------|-----|------|----|------|----|------|-----|------|------|------|
| mm | in.  | mm  | in.  | mm | in.  | mm | in.  | mm  | in.  | mm   | in.  |
| 80 | 3.15 | 175 | 6.89 | 77 | 3.03 | 50 | 1.97 | 160 | 6.30 | 74.5 | 2.93 |

3 holes, Cut-out interaxis 30.5 mm 0/+0.5 mm (1.2007 in 0/+0.0196 in.) (vertical mounting)



b1 Vertical interaxis: 45 mm/1.77 in.

b2 Horizontal interaxis: in center of the box