

# XS912S4PAM12

inductive sensor XS9 M12 - L60mm - full SS  
316L - Sn10 mm - 12..24VDC - M12



## Main

Range of product	OsiSense XS
Series name	Application
Sensor type	Inductive proximity sensor
Device application	Food and beverage
Market segment	Pharmaceutical
Sensor name	XS9
Sensor design	Cylindrical M12
Size	60 mm
Body type	Single piece body
Enclosure material	Stainless steel 316L
Type of output signal	Discrete
Wiring technique	3-wire
Discrete output function	1 NO
Discrete output type	PNP
Electrical connection	Male connector M12, 4 pins
[Us] rated supply voltage	12...24 V DC with reverse polarity protection
Switching capacity in mA	<= 200 mA with overload and short-circuit protection
IP degree of protection	IP69K conforming to DIN 40050 IP68 conforming to IEC 60529

## Complementary

Thread type	M12 x 1
Detection face	Frontal
Detector flush mounting acceptance	Non flush mountable
Material	Stainless steel 316L
Front material	Stainless steel 316L
Sensing range	> 8...15 mm
Differential travel	1...15 % of Sr
Repeat accuracy	<= 5 % of Sr
Output circuit type	DC
Status LED	Output state: 1 LED (yellow)
Supply circuit type	10...30 V DC
Maximum residual current	0.1 mA open state
Switching frequency	<= 400 Hz
Maximum voltage drop	<2 V (closed)
Current consumption	<= 10 mA no-load
Maximum delay first up	40 ms
Maximum delay response	0.00006 ms
Maximum delay recovery	0.015 ms
Marking	CE


## Environment

Product certifications	Ecolab CULus
Vibration resistance	25 gn amplitude = +/- 1 mm (f = 10...55 Hz) conforming to IEC 60068-2-6
Shock resistance	30 gn for 11 ms conforming to IEC 60068-2-27


## Packing Units

Unit Type of Package 1	PCE
------------------------	-----

## Offer Sustainability

EU RoHS Directive	Pro-active compliance (Product out of EU RoHS legal scope)  EU RoHS Declaration
-------------------	--

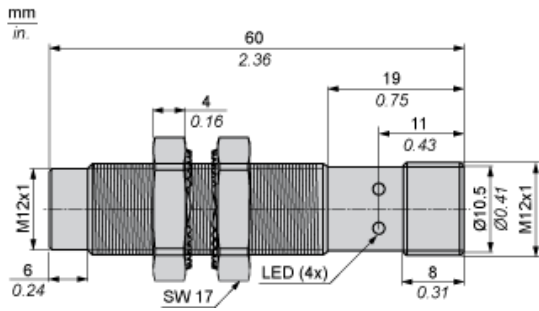
Mercury free	Yes
--------------	-----

RoHS exemption information	 Yes
----------------------------	---

## Contractual warranty

Warranty	18 months
----------	-----------

Dimensions



---

Minimum Mounting Distances in mm

---

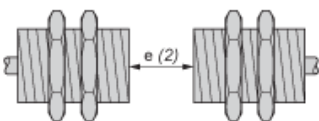
Side by side



e (1) 108 mm/4.25 in.

≥

Face to face



e (2) 40 mm/1.57 in.

≥

Facing a metal object



e (3) 30 mm/0.18 in.

≥

Mounted in a metal support



d ≥ 30 mm/0.18 in.

h ≥ 22 mm/0.87 in.

## Wiring Schemes

M12 connector



PNP



- 1 : (+)
- 2 : Not connected
- 3 : (-)
- 4 : NO Output