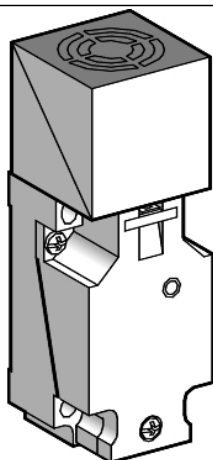


# XS8C40FP260H29

inductive sensor XS8 40x40x117 - plastic -  
Sn20mm - 24..240VAC - terminals



## Main

Range of product	OsiSense XS
Series name	General purpose
Sensor type	Inductive proximity sensor
Device application	-
Sensor name	XS8
Sensor design	Form 40 x 40 x 117
Size	117 mm
Body type	Fixed
Detector flush mounting acceptance	Non flush mountable
Material	Plastic
Enclosure material	Plastic
Type of output signal	Discrete
Wiring technique	2-wire
Discrete output function	1 NO or 1 NC programmable
Output circuit type	AC
Electrical connection	Screw-clamp terminals, 2 x 1.5 mm <sup>2</sup>
[Us] rated supply voltage	24...240 V AC 50/60 Hz
Switching capacity in mA	5...500 mA
IP degree of protection	IP67 conforming to IEC 60529

## Complementary

Detection face	5 positions turret head
Front material	Plastic
Differential travel	3...20% of Sr
Repeat accuracy	<= 3% of Sr
Product destination	1 tapped entry for M20 x 1.5 cable gland

Status LED	Output state: 1 LED (yellow)
Supply circuit type	20...264 V AC
Maximum residual current	1.5 mA open state
Switching frequency	<= 25 Hz
Maximum voltage drop	<5.5 V (closed)
Maximum delay first up	120 ms
Maximum delay response	30 ms
Maximum delay recovery	20 ms
Marking	CE

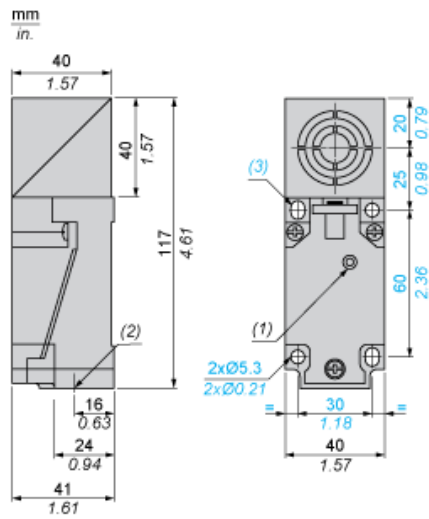
## Environment

Product certifications	UL CCC CSA
------------------------	------------------

## Contractual warranty

Warranty	18 months
----------	-----------

Dimensions



- (1) Output LED
- (2) 1 tapped entry for M20
- (3) 2 elongated holes Ø 5.3 x 7

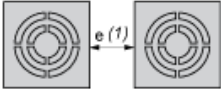
---

Setting-up

---

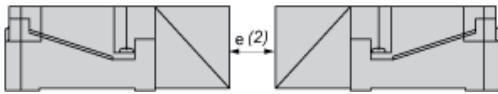
Minimum Mounting Distances (mm)

Side by Side



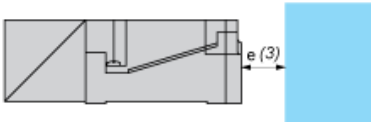
e (1) 80  
≥

Face to Face



e (2) 160  
≥

Facing a Metal Object



e (3) 60  
≥

---

## Wiring Schemes

---

2-Wire AC Programmable, NO or NC Output Depending on Position of Link

