



## Main

|                                    |   |
|------------------------------------|---|
| Range of product                   | OsiSense XS   |
| Series name                        | General purpose   |
| Sensor type                        | Inductive proximity sensor  |
| Device application                 | Mobile equipment  |
| Sensor name                        | XS6   |
| Sensor design                      | Cylindrical M12   |
| Size                               | 54 mm   |
| Body type                          | Fixed   |
| Detector flush mounting acceptance | Non flush mountable   |
| Material                           | Metal   |
| Type of output signal              | Discrete  |
| Wiring technique                   | 3-wire  |
| [Sn] nominal sensing distance      | 7 mm  |
| Discrete output function           | 1 NO  |
| Output circuit type                | DC  |
| Discrete output type               | PNP   |
| Electrical connection              | Cable   |
| Cable length                       | 5 m   |
| [Us] rated supply voltage          | 12...48 V DC with reverse polarity protection                                   |
| Switching capacity in mA           | <= 200 mA DC with overload and short-circuit protection                         |
| IP degree of protection            | IP68 double insulation conforming to IEC 60529<br>IP69K conforming to DIN 40050 |

## Complementary

|                          |                              |
|--------------------------|------------------------------|
| Thread type              | M12 x 1                      |
| Detection face           | Frontal                      |
| Front material           | PPS                          |
| Enclosure material       | Nickel plated brass          |
| Sensing range            | > 4...8 mm                   |
| Operating zone           | 0...5.6 mm                   |
| Differential travel      | 1...15% of Sr                |
| Cable composition        | 3 x 0.34 mm <sup>2</sup>     |
| Wire insulation material | PvR                          |
| Status LED               | Output state: 1 LED (yellow) |
| Supply voltage limits    | 10...58 V DC                 |
| Switching frequency      | <= 2500 Hz DC                |
| Maximum voltage drop     | <2 V (closed)                |
| Current consumption      | <= 10 mA no-load             |
| Maximum delay first up   | 10 ms                        |
| Maximum delay response   | 0.2 ms                       |
| Maximum delay recovery   | 0.2 ms                       |
| Marking                  | CE                           |
| Threaded length          | 42 mm                        |

|            |          |
|------------|----------|
| Length     | 54 mm    |
| Net weight | 0.195 kg |

## Environment

|                                       |   |
|---------------------------------------|---|
| Product certifications                | UL<br>CSA<br>E2   |
| Ambient air temperature for operation | -25...70 °C   |
| Ambient air temperature for storage   | -40...85 °C   |
| Vibration resistance                  | 25 gn amplitude = +/- 2 mm (f = 10...55 Hz) conforming to IEC 60068-2-6 |
| Shock resistance                      | 50 gn for 11 ms conforming to IEC 60068-2-27                            |

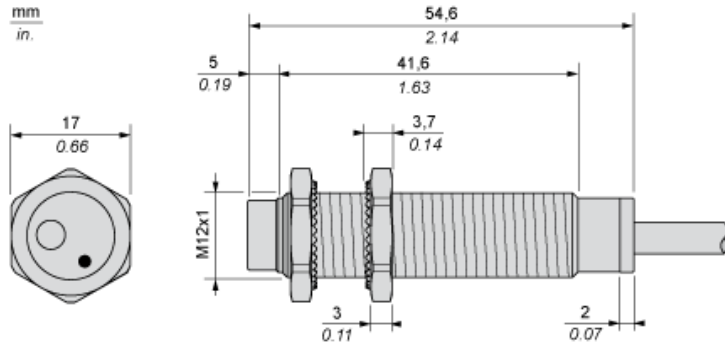
## Offer Sustainability

|                            |  |
|----------------------------|--|
| Sustainable offer status   | Green Premium product  |
| EU RoHS Directive          | Pro-active compliance (Product out of EU RoHS legal scope) <a href="#">EU RoHS Declaration</a> |
| Mercury free               | Yes  |
| RoHS exemption information | <a href="#">Yes</a>  |
| Environmental Disclosure   | <a href="#">Product Environmental Profile</a>  |
| Circularity Profile        | <a href="#">End Of Life Information</a>  |

## Contractual warranty

|          |           |
|----------|-----------|
| Warranty | 18 months |
|----------|-----------|

Dimensions



---

Minimum Mounting Distances in mm

---

Side by side



e (1) 48 mm/1.89 in.

≥

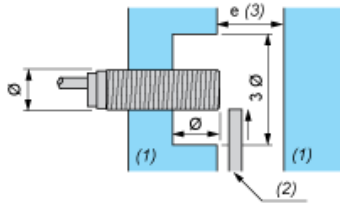
Face to face



e (2) 84 mm/3.31 in

≥

Facing a metal object



e (3) 21 mm/0.83 in.

≥

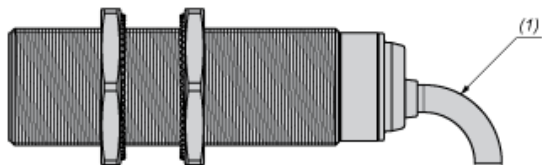
(1) Metal

(2) Object to be detected

---

Mounting

---



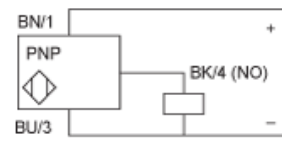
(1) Bending cable: 4 x external cable diameter

---

## Wiring Schemes

---

PNP



BU : Blue  
BN : Brown  
BK : Black