



Main

| | |
|------------------------------------|------------------------------|
| Range of product | OsiSense XS |
| Series name | Application |
| Sensor type | Inductive proximity sensor |
| Electrical circuit type | Analog output |
| Sensor name | XS4 |
| Sensor design | Cylindrical M30 |
| Size | 53 mm |
| Body type | Fixed |
| Detector flush mounting acceptance | Non flush mountable |
| Material | Plastic |
| Type of output signal | Analogue |
| Wiring technique | 2-wire |
| [Sn] nominal sensing distance | 15 mm |
| Discrete output function | 1 NC |
| Output circuit type | DC |
| Analogue output range | 4...20 mA |
| Electrical connection | Cable |
| Cable length | 2 m |
| [Us] rated supply voltage | 12...24 V DC |
| IP degree of protection | IP67 conforming to IEC 60529 |

Complementary

| | |
|------------------------------|--------------------------|
| Thread type | M30 x 1.5 |
| Detection face | Frontal |
| Front material | PPS |
| Enclosure material | PBT |
| Operating zone | 1.5... 15 mm |
| Repeat accuracy | <= 3% of Sr |
| Linearity error | +/- 2 mA |
| Cable composition | 3 x 0.34 mm ² |
| Wire insulation material | PvR |
| Supply voltage limits | 10...38 V DC |
| Switching frequency | <= 300 Hz |
| Current consumption | 4 mA no-load |
| Maximum output current drift | 10 % |
| Marking | CE |
| Threaded length | 32 mm |
| Height | 30 mm |
| Length | 53 mm |
| Net weight | 0.1 kg |

Environment

| | |
|---------------------------------------|-------------|
| Product certifications | UL CSA |
| Ambient air temperature for operation | -25...70 °C |

Packing Units

| | |
|------------------------|-----|
| Unit Type of Package 1 | PCE |
| Unit Type of Package 2 | BAG |
| Unit Type of Package 3 | S03 |

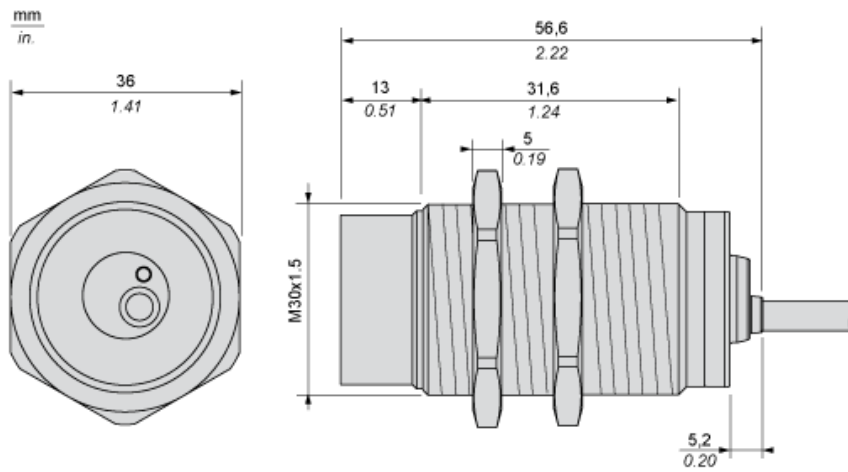
Offer Sustainability

| | |
|----------------------------|--|
| Sustainable offer status | Green Premium product |
| EU RoHS Directive | Pro-active compliance (Product out of EU RoHS legal scope) EU RoHS Declaration |
| Mercury free | Yes |
| RoHS exemption information | Yes |
| Environmental Disclosure | Product Environmental Profile |
| Circularity Profile | End Of Life Information |

Contractual warranty

| | |
|----------|-----------|
| Warranty | 18 months |
|----------|-----------|

Dimensions



Minimum Mounting Distances

Side by side



e (1) 60 mm/2.36 in.

≥

Face to face



e (2) 180 mm/7.09 in.

≥

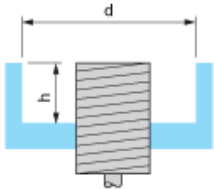
Facing a metal object



e (3) 45 mm/1.77 in.

≥

Mounted in a metal support



d ≥ 90 mm/3.54 in.

h ≥ 30 mm/1.18 in.

Wiring Schemes

2-Wire connection



(1) Output current

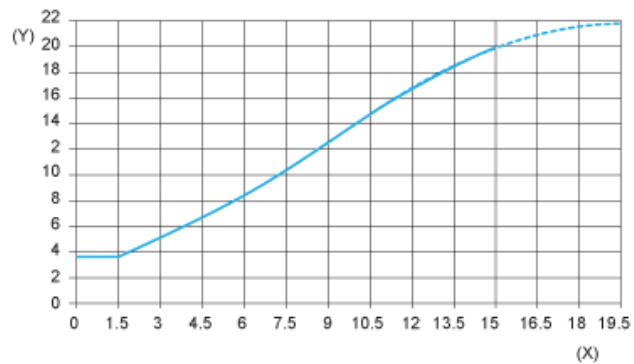
BN : Brown

BK : Black

BU : Blue

| | Output current | Load impedance value |
|------|----------------|----------------------|
| 12 V | 4...20 mA | $R \leq 8.2 \Omega$ |
| 24 V | 4...20 mA | $R \leq 470 \Omega$ |

Output Curves



(Y) I_s (mA)

(X) Sensors - object distance (mm)