



## Main

|                                    |                                                |
|------------------------------------|------------------------------------------------|
| Range of product                   | OsiSense XS                                    |
| Series name                        | General purpose                                |
| Sensor type                        | Inductive proximity sensor                     |
| Sensor name                        | XS4                                            |
| Sensor design                      | Cylindrical M18                                |
| Size                               | 62 mm                                          |
| Body type                          | Fixed                                          |
| Detector flush mounting acceptance | Non flush mountable                            |
| Material                           | Plastic                                        |
| Type of output signal              | Discrete                                       |
| Wiring technique                   | 2-wire                                         |
| [Sn] nominal sensing distance      | 8 mm                                           |
| Discrete output function           | 1 NO                                           |
| Output circuit type                | AC/DC                                          |
| Electrical connection              | Cable                                          |
| Cable length                       | 2 m                                            |
| [Us] rated supply voltage          | 24...240 V AC/DC 50/60 Hz                      |
| Switching capacity in mA           | 5...200 mA DC<br>5...300 mA AC                 |
| IP degree of protection            | IP68 double insulation conforming to IEC 60529 |

## Complementary

|                          |                              |
|--------------------------|------------------------------|
| Thread type              | M18 x 1                      |
| Detection face           | Frontal                      |
| Front material           | PPS                          |
| Enclosure material       | PPS                          |
| Operating zone           | 0...6.4 mm                   |
| Differential travel      | 1...15% of Sr                |
| Cable composition        | 2 x 0.34 mm <sup>2</sup>     |
| Wire insulation material | PvR                          |
| Status LED               | Output state: 1 LED (yellow) |
| Supply voltage limits    | 20...264 V AC/DC             |
| Maximum residual current | 0.6 mA open state            |
| Switching frequency      | <= 2000 Hz DC<br><= 25 Hz AC |
| Maximum voltage drop     | <5.5 V (closed)              |
| Maximum delay first up   | 40 ms                        |
| Maximum delay response   | 0.2 ms                       |
| Maximum delay recovery   | 0.2 ms                       |
| Marking                  | CE                           |
| Threaded length          | 52 mm                        |
| Height                   | 18 mm                        |
| Length                   | 62 mm                        |
| Net weight               | 0.1 kg                       |

## Environment

|                                       |                                                                         |
|---------------------------------------|-------------------------------------------------------------------------|
| Product certifications                | CCC<br>Ecolab<br>CSA<br>UL                                              |
| Ambient air temperature for operation | -25...70 °C                                                             |
| Ambient air temperature for storage   | -40...85 °C                                                             |
| Vibration resistance                  | 25 gn amplitude = +/- 2 mm (f = 10...55 Hz) conforming to IEC 60068-2-6 |
| Shock resistance                      | 50 gn for 11 ms conforming to IEC 60068-2-27                            |

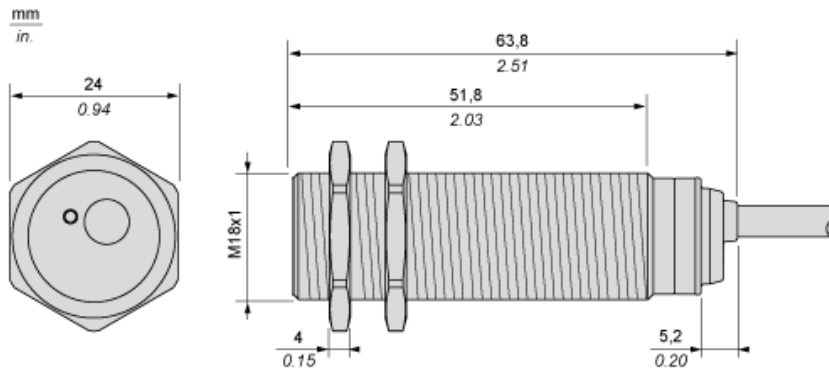
## Offer Sustainability

|                            |                                                                                                |
|----------------------------|------------------------------------------------------------------------------------------------|
| Sustainable offer status   | Green Premium product                                                                          |
| EU RoHS Directive          | Pro-active compliance (Product out of EU RoHS legal scope) <a href="#">EU RoHS Declaration</a> |
| Mercury free               | Yes                                                                                            |
| RoHS exemption information | <a href="#">Yes</a>                                                                            |
| Environmental Disclosure   | <a href="#">Product Environmental Profile</a>                                                  |
| Circularity Profile        | <a href="#">End Of Life Information</a>                                                        |

## Contractual warranty

|          |           |
|----------|-----------|
| Warranty | 18 months |
|----------|-----------|

Dimensions



---

Minimum Mounting Distances

---

Side by side



e (1) 32 mm/1.26 in.

≥

Face to face



e (2) 96 mm/3.78 in.

≥

Facing a metal object



e (3) 24 mm/0.94 in.

≥

Mounted in a metal support



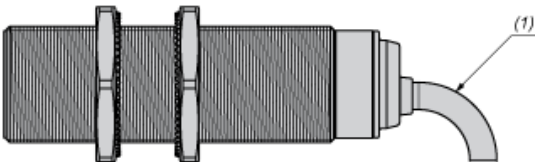
d ≥ 56 mm/2.20 in.

h ≥ 16 mm/0.63 in.

---

Mounting

---



(1) Bending cable: 4 x external cable diameter

---

Wiring Schemes

---

2-Wire AC or DC

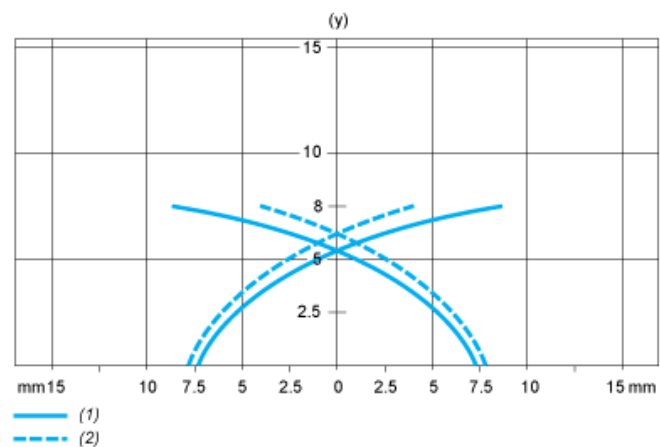
NO output



BU : Blue  
BN : Brown

Performance Curves

Standard Steel Target : 24x24x1 mm



- (1) Pick-up points
- (2) Drop-out points (object approaching from the side)
- (y) Sensing distance in mm