

**Pro-face**

by **Schneider** Electric

# ST6000 Series Hardware Manual

---

The information provided in this documentation contains general descriptions and/or technical characteristics of the performance of the products contained herein. This documentation is not intended as a substitute for and is not to be used for determining suitability or reliability of these products for specific user applications. It is the duty of any such user or integrator to perform the appropriate and complete risk analysis, evaluation and testing of the products with respect to the relevant specific application or use thereof. Neither Schneider Electric nor any of its affiliates or subsidiaries (hereinafter, referred to as Schneider Electric) shall be responsible or liable for misuse of the information that is contained herein. If you have any suggestions for improvements or amendments or have found errors in this publication, please notify us.

You agree not to reproduce, other than for your own personal, noncommercial use, all or part of this document on any medium whatsoever without permission of Schneider Electric, given in writing. You also agree not to establish any hypertext links to this document or its content. Schneider Electric does not grant any right or license for the personal and noncommercial use of the document or its content, except for a non-exclusive license to consult it on an "as is" basis, at your own risk. All other rights are reserved.

All pertinent state, regional, and local safety regulations must be observed when installing and using this product. For reasons of safety and to help ensure compliance with documented system data, only the manufacturer should perform repairs to components.

When devices are used for applications with technical safety requirements, the relevant instructions must be followed.

Failure to use Schneider Electric software or approved software with our hardware products may result in injury, harm, or improper operating results.

Failure to observe this information can result in injury or equipment damage.

Copyright © 2018 Schneider Electric Japan Holdings Ltd. All rights reserved.

# Table of Contents



	<b>Safety Information</b> . . . . .	5
	<b>About the Book</b> . . . . .	7
<b>Chapter 1</b>	<b>Overview</b> . . . . .	11
	Model Numbers . . . . .	12
	Package Contents . . . . .	13
	Certifications and Standards . . . . .	14
<b>Chapter 2</b>	<b>Device Connectivity</b> . . . . .	17
	System Design . . . . .	18
	Accessories . . . . .	19
<b>Chapter 3</b>	<b>Parts Identification and Functions</b> . . . . .	21
3.1	Parts Identification . . . . .	22
	ST-6200WA . . . . .	23
	ST-6400WA . . . . .	25
	ST-65/66/6700WA . . . . .	27
3.2	LED Indications . . . . .	29
	Status LED . . . . .	29
<b>Chapter 4</b>	<b>Specifications</b> . . . . .	31
4.1	General Specifications . . . . .	32
	Electrical Specifications . . . . .	33
	Environmental Specifications . . . . .	34
	Structural Specifications . . . . .	35
4.2	Functional Specifications . . . . .	37
	Display Specifications . . . . .	38
	Memory, Clock, Touch Panel . . . . .	39
4.3	Interface Specifications . . . . .	40
	Interface Specifications . . . . .	41
	Serial Interface . . . . .	42
<b>Chapter 5</b>	<b>Dimensions</b> . . . . .	45
	ST-6200WA . . . . .	46
	ST-6400WA . . . . .	48
	ST-6500WA . . . . .	50
	ST-6600WA . . . . .	53
	ST-6700WA . . . . .	56
<b>Chapter 6</b>	<b>Installation and Wiring</b> . . . . .	59
6.1	Installation . . . . .	60
	Introduction . . . . .	61
	Installation Requirements . . . . .	62
	Panel Cut Dimensions . . . . .	64
	Installation Procedure (ST-6200WA) . . . . .	65
	Installation Procedure (ST-64/65/66/6700WA) . . . . .	69
	Removal Procedure . . . . .	71

---

6.2	Wiring Principles	73
	Connecting the DC Power Cord	74
	Connecting the Power Supply	76
	Grounding	78
6.3	USB Cable Clamp	79
	USB Clamp Type A (1 port)	79
6.4	Isolation Unit and USB/RS-422/485 Conversion Adapter	81
	Introduction	82
	Installation Procedure	83
<b>Chapter 7</b>	<b>Maintenance</b>	<b>85</b>
	Regular Cleaning	86
	Periodic Check Points	87
	Replacing the Installation Gasket	88
	Replacing the Primary Battery	89
	Replacing the Backlight	91
	After-sales Service	92

# Safety Information



## Important Information

### NOTICE

Read these instructions carefully, and look at the equipment to become familiar with the device before trying to install, operate, service, or maintain it. The following special messages may appear throughout this documentation or on the equipment to warn of potential hazards or to call attention to information that clarifies or simplifies a procedure.



The addition of this symbol to a “Danger” or “Warning” safety label indicates that an electrical hazard exists which will result in personal injury if the instructions are not followed.



This is the safety alert symbol. It is used to alert you to potential personal injury hazards. Obey all safety messages that follow this symbol to avoid possible injury or death.

## **DANGER**

**DANGER** indicates a hazardous situation which, if not avoided, **will result in** death or serious injury.

## **WARNING**

**WARNING** indicates a hazardous situation which, if not avoided, **could result in** death or serious injury.

## **CAUTION**

**CAUTION** indicates a hazardous situation which, if not avoided, **could result in** minor or moderate injury.

## **NOTICE**

**NOTICE** is used to address practices not related to physical injury.

### PLEASE NOTE

Electrical equipment should be installed, operated, serviced, and maintained only by qualified personnel. No responsibility is assumed by Schneider Electric for any consequences arising out of the use of this material.

A qualified person is one who has skills and knowledge related to the construction and operation of electrical equipment and its installation, and has received safety training to recognize and avoid the hazards involved.



---

# About the Book

---



## At a Glance

### Document Scope

This manual describes how to use this product.

### Validity Note

This documentation is valid for this product.

The technical characteristics of the device(s) described in this manual also appear online at <http://www.pro-face.com>.

The characteristics presented in the present document should be the same as those that appear online. In line with our policy of constant improvement we may revise content over time to improve clarity and accuracy. In the event that you see a difference between the document and online information, use the online information as your reference.

### Registered Trademarks

Microsoft and Windows are registered trademarks of Microsoft Corporation in the United States and/or other countries.

Product names used in this manual may be the registered trademarks owned by the respective proprietors.

### Related Documents

You can download the manuals related to this product, such as the software manual, from our support site at <http://www.pro-face.com/trans/en/manual/1001.html>.

### Product Related Information

If the equipment is used in a manner not specified by the manufacturer, the protection provided by the equipment may be impaired.

## DANGER

### HAZARD OF ELECTRIC SHOCK, EXPLOSION, OR ARC FLASH

- Remove all power from the device before removing any covers or elements of the system, and prior to installing or removing any accessories, hardware, or cables.
- Unplug the power cable from both this product and the power supply.
- Always use a properly rated voltage sensing device to confirm power is off.
- Replace and secure all covers or elements of the system before applying power to this product.
- Use only the specified voltage when operating this product. This product is designed to use 24 Vdc. Always check whether your device is DC powered before applying power.

**Failure to follow these instructions will result in death or serious injury.**

---

## DANGER

### POTENTIAL FOR EXPLOSION

- Do not use this product in hazardous environments.
- Do not connect or disconnect this product unless power has been switched off or the area is known to be non-hazardous.
- Do not attempt to install, operate, modify, maintain, service, or otherwise alter this product except as permitted in this manual.
- Confirm that the USB cable has been attached with the USB cable clamp before using the USB interface.
- Use the USB (micro-B) interface for temporary connection only during maintenance and setup of the device.

**Failure to follow these instructions will result in death or serious injury.**

Critical alarm indicators and system functions require independent and redundant protection hardware and/or mechanical interlocks.

When you cycle power, wait at least 10 seconds after it has been turned off. If this product is restarted too quickly, it may not operate correctly.

In the event the screen cannot be properly read, for example, if the backlight is not functioning, it may be difficult or impossible to identify a function. Functions that may present a hazard if not immediately executed, such as a fuel shut-off, must be provided independently of this product. The machine's control system design must take into account the possibility of the backlight no longer functioning and the operator being unable to control the machine or making mistakes in the control of the machine.

## WARNING

### LOSS OF CONTROL

- The designer of any control scheme must consider the potential failure modes of control paths and, for certain critical control functions, provide a means to achieve a safe state during and after a path failure. Examples of critical control functions are emergency stop and overtravel stop, power outage and restart.
- Separate or redundant control paths must be provided for critical control functions.
- System control paths may include communication links. Consideration must be given to the implications of unanticipated transmission delays or failures of the link.
- Observe all accident prevention regulations and local safety guidelines.
- Each implementation of this product must be individually and thoroughly tested for proper operation before being placed into service.
- The machine control system design must take into account the possibility of the backlight no longer functioning and the operator being unable to control the machine, or making errors in the control of the machine.

**Failure to follow these instructions can result in death, serious injury, or equipment damage.**

For additional information, refer to NEMA ICS 1.1 (latest edition), "Safety Guidelines for the Application, Installation, and Maintenance of Solid State Control" and to NEMA ICS 7.1 (latest edition), "Safety Standards for Construction and Guide for Selection, Installation and Operation of Adjustable-Speed Drive Systems" or their equivalent governing your particular location.



 **WARNING****UNINTENDED EQUIPMENT OPERATION**

- The application of this product requires expertise in the design and programming of control systems. Only persons with such expertise should be allowed to program, install, alter, and apply this product.
- Follow all local and national safety standards.

**Failure to follow these instructions can result in death, serious injury, or equipment damage.**

 **WARNING****UNINTENDED EQUIPMENT OPERATION**

- Do not use this product as the only means of control for critical system functions such as motor start/stop or power control.
- Do not use this equipment as the only notification device for critical alarms, such as device overheating or overcurrent.
- Use only the software provided with this product. If you use another software, please confirm the operation and safety before use.

**Failure to follow these instructions can result in death, serious injury, or equipment damage.**

The following characteristics are specific to the LCD panel and are considered normal behavior:

- LCD screen may show unevenness in the brightness of certain images or may appear different when seen from outside the specified viewing angle. Extended shadows, or crosstalk may also appear on the sides of screen images.
- LCD screen pixels may contain black and white colored spots and color display may seem to have changed.
- When experiencing vibrations within a certain frequency range and vibration acceleration is above what is acceptable, the LCD screen may partially turn white. Once the vibration condition ends, the whitening of the screen is resolved.
- When the same image is displayed on the screen for a long period, an afterimage may appear when the image is changed.
- The panel brightness may decrease when used for a long time in an environment continuously filled with inert gas. To prevent deterioration of panel brightness, regularly ventilate the panel. For more information, please contact customer support.  
<http://www.pro-face.com/trans/en/manual/1015.html>

**NOTE:** Change the screen image periodically and try not to display the same image for a long period of time.

---

## **WARNING**

### **SERIOUS EYE AND SKIN INJURY**

The liquid in the LCD panel contains an irritant:

- Avoid direct skin contact with the liquid.
- Wear gloves when you handle a broken or leaking unit.
- Do not use sharp objects or tools in the vicinity of the LCD panel.
- Handle the LCD panel carefully to prevent puncture, bursting, or cracking of the panel material.
- If the panel is damaged and any liquid comes in contact with your skin, immediately rinse the area with running water for at least 15 minutes. If the liquid gets in your eyes, immediately rinse your eyes with running water for at least 15 minutes and consult a doctor.

**Failure to follow these instructions can result in death, serious injury, or equipment damage.**

---

# Chapter 1

## Overview

---

### What Is in This Chapter?

This chapter contains the following topics:

Topic	Page
Model Numbers	12
Package Contents	13
Certifications and Standards	14

## Model Numbers

Series	Model name	Model number
ST6000 Series	ST-6200WA	PFXST6200WAD
	ST-6400WA	PFXST6400WAD
	ST-6500WA	PFXST6500WAD
	ST-6600WA	PFXST6600WAD
	ST-6700WA	PFXST6700WAD

The following describes the configuration of model numbers.

Digit position											
1	2	3	4	5	6	7	8	9	10	11	12
P	F	X	(model)	(series)	(size)	(type)	(LCD)	(touch panel)	(power supply)		
			ST	6	2: 4" 4: 7" 5: 10" 6: 12" 7: 15"	00: (Reserved)	W: Wide TFT	A: Analog	D: DC		

### Global Code

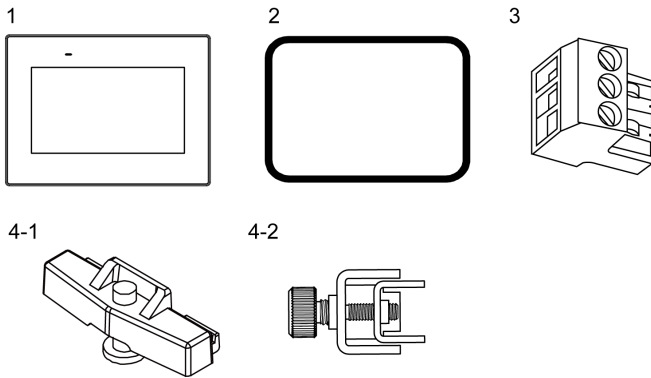
A global code is assigned to every Pro-face product as a universal model number. For more information on product models and their matching global codes, please refer to the following URL.

<http://www.pro-face.com/trans/en/manual/1003.html>

## Package Contents

**NOTE:** This product has been carefully packed with special attention to quality. However, should you find anything damaged or missing, please contact customer support immediately.

Verify all items listed here are present in your package:



1 ST-6•00WA x 1

2 Installation gasket (attached to this product) x 1

3 DC power supply connector x 1

4-1 Installation fastener for: ST-6200WA x 2 pieces

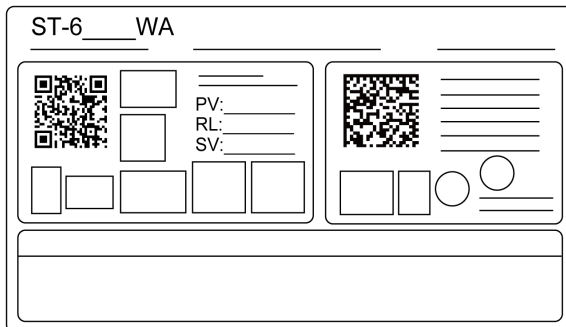
4-2 Installation fastener for: ST-64/65/6600WA x 4 pieces, ST-6700WA x 6 pieces

5 Installation guide x 1

6 Warning/Caution Information x 1

### Revision

You can identify the product version (PV), revision level (RL), and the software version (SV) from the product label.



## Certifications and Standards

Some products are not subject to certification and standards. And some products have not received their certification and standards but are scheduled for assessment.

The certifications and standards listed below may include those that are not yet acquired for this product. For the latest certifications and standards that this product has acquired, please check the product marking or the following URL.

<http://www.pro-face.com/trans/en/manual/1002.html>

### Agency Certifications

Schneider Electric submitted this product for independent testing and qualification by third-party listing agencies. These agencies have certified this product as meeting the following standards.

- Underwriters Laboratories Inc., UL 61010-2-201 and CSA C22.2 N°61010-2-201, Industrial Control Equipment

### Compliance Standards

Europe:

CE

- Directive 2014/35/EU (Low Voltage)
- Directive 2014/30/EU (EMC)
  - Programmable Controllers: EN 61131-2
  - EN61000-6-4
  - EN61000-6-2

Australia

- RCM
  - EN61000-6-4

Korea

- KC
  - KN11
  - KN61000-6-2

### Qualifications Standards

Schneider Electric voluntarily tested this product to additional standards. The additional tests performed, and the standards under which the tests were conducted, are specifically identified in Structural Specifications (*see page 35*).

### Hazardous Substances

This product is designed to be compliant with the following environmental regulations, even if the product may not fall directly in the scope of the regulation:

- WEEE, Directive 2012/19/EU
- RoHS, Directive 2011/65/EU and 2015/863/EU
- RoHS China, Standard GB/T 26572
- REACH regulation EC 1907/2006

**End of Life (WEEE)**

The product contains electronic boards. It must be disposed of in specific treatment channels. The product contains cells and/or storage batteries which must be collected and processed separately when they have run out and at the end of product life (Directive 2012/19/EU).

Refer to Maintenance (*see page 85*) when extracting cells and batteries from the product. These batteries do not contain a weight percentage of heavy metals over the threshold notified by European Directive 2006/66/EC.

**European (CE) Compliance**

The product described in this manual comply with the European Directives concerning Electromagnetic Compatibility and Low Voltage (CE marking) when used as specified in the relevant documentation, in application for which they are specifically intended, and in connection with approved third-party products.

**KC Markings**사용자안내문

기종별	사용자안내문
A급 기기 (업무용 방송통신기자재)	이 기기는 업무용(A급) 전자파적합기기로서 판매자 또는 사용자는 이 점을 주의하시기 바라며, 가정외의 지역에서 사용하는 것을 목적으로 합니다.





# Chapter 2

## Device Connectivity

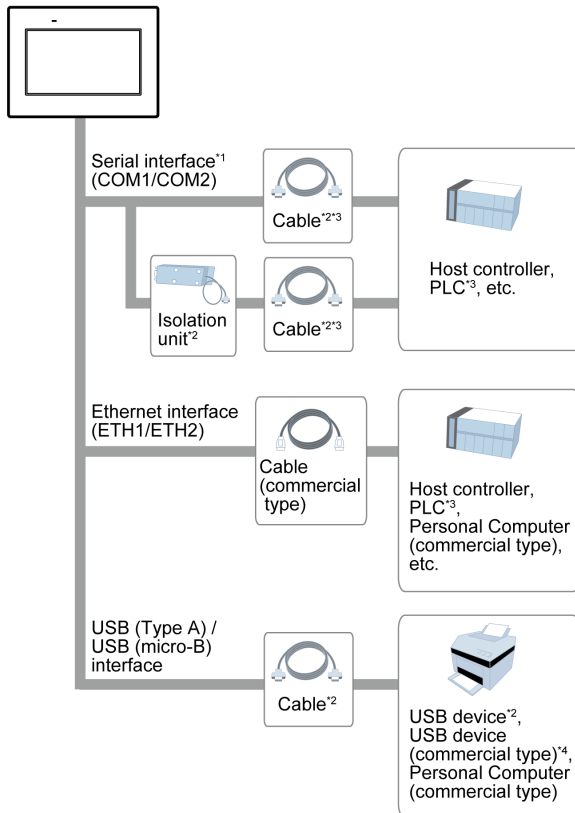
---

### What Is in This Chapter?

This chapter contains the following topics:

Topic	Page
System Design	18
Accessories	19

## System Design



\*1 In order to use this as an isolation port, Isolation Unit is required. To use RS-232C isolation unit, set the #9 pin of the COM port to VCC.

\*2 Refer to Accessories (*see page 19*).

\*3 For information on how to connect controllers and other types of equipment, refer to the corresponding device driver manual of your screen editing software.

\*4 For supported models, refer to our support site at <http://www.pro-face.com/trans/en/manual/1001.html>.

## Accessories

For host controllers and connection cables, refer to the corresponding device driver manual of your screen editing software.

Product name	Product number	Description
<b>Serial interface</b>		
RS-422 Terminal Block Conversion Adapter	PFXZCBADTM1	Connects output from a serial interface (D-sub 9 pin plug) directly to an RS-422 terminal block.
COM Port Conversion Adapter	CA3-ADPCOM-01	Connects optional RS-422 communication items to serial interface.
RS-232C Isolation Unit	CA3-ISO232-01	Connects a host controller to this product and provides isolation (RS-232C and RS-422 are switchable).
<b>USB (Type A) Interface</b>		
USB Cable (5 m) <sup>*1</sup>	FP-US00	Connects a USB printer (Type B).
USB Front Cable (1 m)	CA5-USBEXT-01	Extension cable that attaches USB interface to front panel.
USB Clamp Type A (1 port)	PFXZCBCLUSA1	Clamp to prevent disconnection of USB cable (USB Type A, 1 port, 5 clamps/set)
USB-Serial (RS-232C) Conversion Cable (0.5 m) <sup>*1</sup>	CA6-USB232-01	Cable for converting a USB interface into a serial interface (RS-232C). Allows connection to modems <sup>*2</sup> or bar code readers <sup>*2</sup> that support RS-232C.
USB/RS-422/485 Conversion Adapter <sup>*1</sup>	PFXZCBCBCVUSR41	Adapter for connecting this product (USB Type A) to an external device (RS-422/RS-485).
EZ Illuminated Switch <sup>*1</sup>	PFXZCCEUSG1	A unit of 5 illuminated switches with multiple color LED connected to this product via USB.
EZ Fingerprint Recognition Unit <sup>*1</sup>	PFXZCCEUSS1	Fingerprint recognition unit connected to this product via USB.
EZ Numpad <sup>*1</sup>	PFXZCCEUKB1	Numpad connected to this product via USB.
EZ Tower Light tube mounting fixing plate <sup>*1</sup>	PFXZCETWHA1	USB Connection Type Monolithic EZ Tower Light tube mounting with fixing plate 3 tiers, Ø60, lighting and flashing with a buzzer.
EZ Tower Light with base mounting <sup>*1</sup>	PFXZCETWW1	USB Connection Type Monolithic EZ Tower with base mounting 3 tiers, Ø60, lighting and flashing with a buzzer.
<b>USB (micro-B) interface</b>		
USB Transfer Cable <sup>*1</sup>	PFXZUSCBMB2	Cable for transferring screen data from a PC (USB Type A) to this product (USB micro-B)
USB (micro-B) Front Cable	PFXZCIEXMB2	Extension cable that attaches USB interface to front panel.

Product name	Product number	Description
<b>Others</b>		
Screen Protection Sheet	PFXZCIDS42	Disposable, dirt-resistant sheet for the display (5 sheets/set) for ST-6200WA.
	PFXZCIDS72	Disposable, dirt-resistant sheet for the display (5 sheets/set) for ST-6400WA.
	PFXZCIDS102	Disposable, dirt-resistant sheet for the display (5 sheets/set) for ST-6500WA.
	PFXZCDDS122	Disposable, dirt-resistant sheet for the display (5 sheets/set) for ST-6600WA.
	PFXZCIDS152	Disposable, dirt-resistant sheet for the display (5 sheets/set) for ST-6700WA.
Spring Clip	XBTZ3002	Fasteners to attach this product to the mounting surface for ST-6200WA.

\*1 Make sure your screen editing software supports the product.

\*2 For supported models, refer our support site at <http://www.pro-face.com/trans/en/manual/1001.html>.

**Maintenance Accessories**

Product name	Product number	Supported product	Description
<b>Installation Fastener</b>			
ZC9AF31	ST-6200WA		Installation fastener (2 pieces/set).
PFXZCIAFTF1	ST-6400WA, ST-6500WA, ST-6600WA, ST-6700WA		Installation fastener (2 pieces/set).
<b>Installation Gasket</b>			
PFXZCIWG43	ST-6200WA		Provides dust and moisture resistance when this product is installed into a solid panel (1 piece).
PFXZCIWG73	ST-6400WA		
PFXZCIWG103	ST-6500WA		
PFXZCIWG123	ST-6600WA		
PFXZCIWG153	ST-6700WA		
<b>DC Power Supply Connector</b>			
CA5-DCCNM-01	All		Connector to connect DC power supply cables.
<b>Battery for Data Backup</b>			
PFXZGEBT1	All		Primary battery for memory and time data backup (1 piece).

# Chapter 3

## Parts Identification and Functions

---

### What Is in This Chapter?

This chapter contains the following sections:

Section	Topic	Page
3.1	Parts Identification	22
3.2	LED Indications	29

# Section 3.1

## Parts Identification

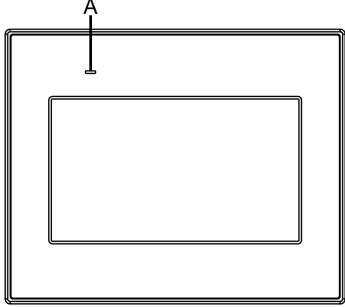
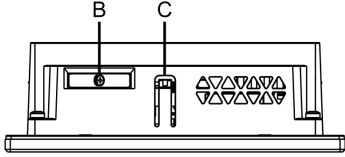
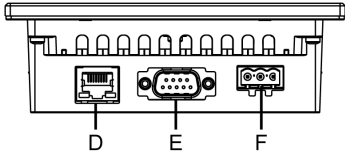
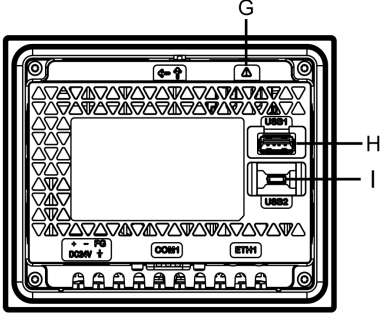
---

### What Is in This Section?

This section contains the following topics:

Topic	Page
ST-6200WA	23
ST-6400WA	25
ST-65/66/6700WA	27

## ST-6200WA

Side	ST-6200WA
Front	
Top	
Bottom	
Rear	

A: Status LED<sup>\*1</sup>

B: Battery slot<sup>\*2</sup>

C: Hook

D: Ethernet interface (ETH1)<sup>\*3</sup>

E: Serial interface (RS-232C/422/485) (COM1)<sup>\*3</sup>

F: Power plug connector

G: Safety alert symbol<sup>\*4</sup>

H: USB (Type A) interface<sup>\*3</sup>

I: USB (micro-B) interface<sup>\*3</sup>

\*1 Refer to LED Indications (*see page 29*)

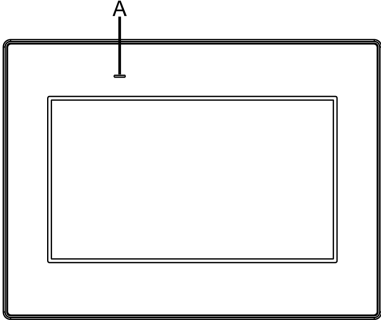
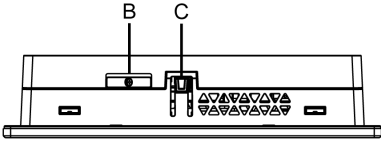
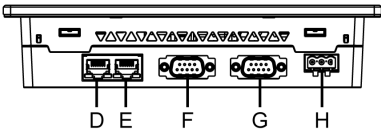
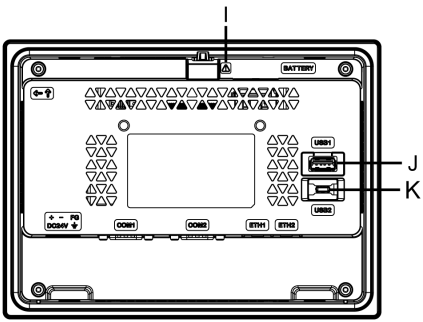
\*2 Refer to Replacing the Primary Battery (*see page 89*)

\*3 Refer to Interface Specifications (*see page 41*)

\*4 Identifies the safety messages about the battery in Replacing the Primary Battery (*see page 89*).



ST-6400WA

Side	ST-6400WA
Front	
Top	
Bottom	
Rear	

- A: Status LED<sup>\*1</sup>
- B: Battery slot<sup>\*2</sup>
- C: Hook
- D: Ethernet interface (ETH2)<sup>\*3</sup>
- E: Ethernet interface (ETH1)<sup>\*3</sup>
- F: Serial interface (RS-422/485) (COM2)<sup>\*3</sup>

G: Serial interface (RS-232C) (COM1)<sup>\*3</sup>

H: Power plug connector

I: Safety alert symbol<sup>\*4</sup>

J: USB (Type A) interface<sup>\*3</sup>

K: USB (micro-B) interface<sup>\*3</sup>

<sup>\*1</sup> Refer to LED Indications (*see page 29*)

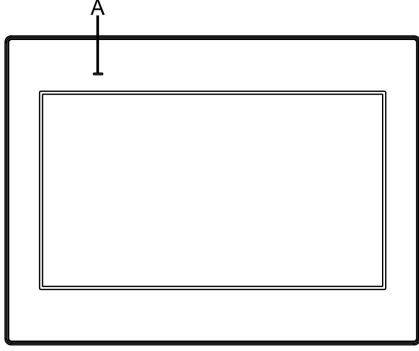
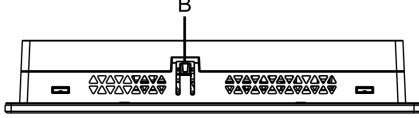
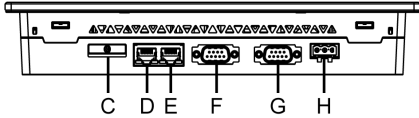
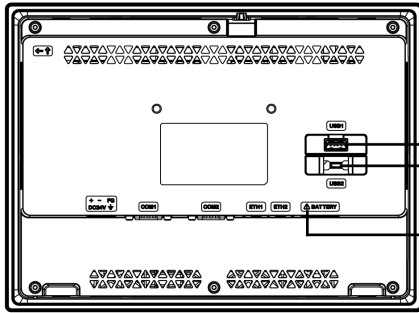
<sup>\*2</sup> Refer to Replacing the Primary Battery (*see page 89*)

<sup>\*3</sup> Refer to Interface Specifications (*see page 41*)

<sup>\*4</sup> Identifies the safety messages about the battery in Replacing the Primary Battery (*see page 89*).

ST-65/66/6700WA

NOTE: The figures below show ST-6500WA.

Side	ST-65/66/6700WA
Front	
Top	
Bottom	
Rear	

A: Status LED<sup>\*1</sup>

B: Hook

C: Battery slot<sup>\*2</sup>

D: Ethernet interface (ETH2)<sup>\*3</sup>

E: Ethernet interface (ETH1)<sup>\*3</sup>

F: Serial interface (RS-422/485) (COM2)<sup>\*3</sup>

G: Serial interface (RS-232C) (COM1)<sup>\*3</sup>

H: Power plug connector

I: USB (Type A) interface<sup>\*3</sup>

J: USB (micro-B) interface<sup>\*3</sup>

K: Safety alert symbol<sup>\*4</sup>

<sup>\*1</sup> Refer to LED Indications (*see page 29*)

<sup>\*2</sup> Refer to Replacing the Primary Battery (*see page 89*)

<sup>\*3</sup> Refer to Interface Specifications (*see page 41*)

<sup>\*4</sup> Identifies the safety messages about the battery in Replacing the Primary Battery (*see page 89*).

---

## Section 3.2

### LED Indications

---

#### Status LED

Color	Indicator	HMI operation
Green	ON	Offline
		In operation
	Flashing	In operation
	LED fade	Backlight OFF (Standby Mode)
Orange	Flashing	Software starting up
Red	ON	Power is ON.
	Flashing	In operation
-	OFF	Power is OFF.



# Chapter 4

## Specifications

---

### What Is in This Chapter?

This chapter contains the following sections:

Section	Topic	Page
4.1	General Specifications	32
4.2	Functional Specifications	37
4.3	Interface Specifications	40

# Section 4.1

## General Specifications

---

### What Is in This Section?

This section contains the following topics:

Topic	Page
Electrical Specifications	33
Environmental Specifications	34
Structural Specifications	35



## Electrical Specifications

Specification		ST-6200WA	ST-6400WA	ST-6500WA	ST-6600WA	ST-6700WA
Rated input voltage		24 Vdc				
Input voltage limits		19.2...28.8 Vdc				
Voltage drop		2 ms or less	5 ms or less	10 ms or less		
Power consumption	Max	6.9 W	9 W	12.6 W	18.4 W	18.5 W
	When power is not supplied to external devices	3.6 W or less	5.5 W or less	9.6 W or less	15 W or less	15 W or less
	When screen turns off the backlight (standby mode)	2.8 W or less	3.6 W or less	4.6 W or less	5.9 W or less	5.4 W or less
	In-rush current	30 A or less				
Noise immunity		Noise voltage: 1,000 Vp-p, pulse duration: 1 $\mu$ s, rise time: 1 ns (via noise simulator)				
Voltage endurance		1,000 Vac, 20 mA for 1 minute (between charging and FG terminals)				
Insulation resistance		500 Vdc, 10 M $\Omega$ or more (between charging and FG terminals)				

## Environmental Specifications

<b>Physical environment</b>	
Ambient air temperature	0...50 °C (32...122 °F)
Storage temperature	-20...60 °C (-4...140 °F)
Ambient air and storage humidity	10%...90% RH (Non condensing, wet bulb temperature 39 °C [102.2 °F] or less)
Dust	0.1 mg/m <sup>3</sup> (10 <sup>-7</sup> oz/ft <sup>3</sup> ) or less (non-conductive levels)
Pollution degree	For use in Pollution Degree 2 environment
Corrosive gases	Free of corrosive gases
Atmospheric pressure (operating altitude)	800...1,114 hPa (2,000 m [6,561 ft] or lower)
<b>Mechanical environment</b>	
Vibration resistance	IEC/EN 61131-2 compliant 5...9 Hz Single amplitude 3.5 mm (0.14 in) 9...150 Hz Fixed acceleration: 9.8 m/s <sup>2</sup> X, Y, Z directions for 10 cycles (approximately 100 minutes)
Shock resistance	IEC/EN 61131-2 compliant 147 m/s <sup>2</sup> , X, Y, Z directions for 3 times
<b>Electrical environment</b>	
Electrical fast transient/burst	IEC 61000-4-4 2 kV: Power port (display unit) 1 kV: Signal ports
Electrostatic discharge immunity	Contact discharge method: 6 kV Air discharge method: 8 kV (IEC/EN 61000-4-2 Level 3)

**NOTE:** When using any of the options for this product, check the specifications for special conditions or cautions that may apply to this product.

### Air quality requirements

Do not operate or store the panel where chemicals evaporate, or where chemicals are present in the air:

- Corrosive chemicals: Acids, alkalines, liquids containing salt.
- Flammable chemicals: Organic solvents.

## CAUTION

### INOPERATIVE EQUIPMENT

Do not allow water, liquids, metal, and wiring fragments to enter the panel case.

**Failure to follow these instructions can result in injury or equipment damage.**

## Structural Specifications

	ST-6200WA	ST-6400WA	ST-6500WA
Grounding	Functional grounding: Grounding resistance of 100 $\Omega$ or less, 2 mm <sup>2</sup> (AWG 14) or thicker wire, or your country's applicable standard.		
Cooling method	Natural air circulation		
Structure *1	IP65F, Type 1, Type 4X (indoor use only), Type 13 (on the front panel when properly installed in an enclosure)		
External dimensions (W x H x D)	134.5 x 108.5 x 43 mm (5.3 x 4.27 x 1.69 in)	208 x 153 x 45 mm (8.19 x 6.02 x 1.77 in)	273 x 203 x 47 mm (10.75 x 7.99 x 1.85 in)
Panel cut dimensions (W x H)	118.5 x 92.5 mm (4.67 x 3.64 in) <sup>*2</sup> Panel thickness area <sup>*3</sup> : 1.6...5 mm (0.06...0.2 in)  When using spring clips: Position 1: 1.5...4 mm (0.06...0.16 in) Position 2: 4...6 mm (0.16...0.24 in)	190 x 135 mm (7.48 x 5.31 in) <sup>*2</sup> Panel thickness area: 1.6...5 mm (0.06...0.2 in) <sup>*3</sup>	255 x 185 mm (10.04 x 7.28 in) <sup>*2</sup> Panel thickness area: 1.6...5 mm (0.06...0.2 in) <sup>*3</sup>
Weight	0.4 kg (0.88 lb) or less	0.8 kg (1.76 lb) or less	1.3 kg (2.87 lb) or less

	ST-6600WA	ST-6700WA
Grounding	Functional grounding: Grounding resistance of 100 $\Omega$ , 2 mm <sup>2</sup> (AWG 14) or thicker wire, or your country's applicable standard.	
Cooling method	Natural air circulation	
Structure *1	IP65F, Type 1, Type 4X (indoor use only), Type 13 (on the front panel when properly installed in an enclosure)	
External dimensions (W x H x D)	313 x 235 x 50 mm (12.32 x 9.25 x 1.97 in)	412 x 268 x 50 mm (16.22 x 10.55 x 1.97 in)
Panel cut dimensions (W x H)	295 x 217 mm (11.61 x 8.54 in) <sup>*2</sup> Panel thickness area: 1.6...5 mm (0.06...0.2 in) <sup>*3</sup>	394 x 250 mm (15.51 x 9.84 in) <sup>*2</sup> Panel thickness area: 1.6...5 mm (0.06...0.2 in) <sup>*3</sup>
Weight	1.8 kg (3.97 lb) or less	2.7 kg (5.95 lb) or less

\*1 The front face of this product, installed in a solid panel, has been tested using conditions equivalent to the standards shown in the specification. Even though this product's level of resistance is equivalent to these standards, oils that should have no effect on this product can possibly harm this product. This can occur in areas where either vaporized oils are present, or where low viscosity cutting oils are allowed to adhere to this product for long periods of time. If this product's front face protection sheet peels off, these conditions can lead to the ingress of oil into this product and separate protection measures are suggested.

Also, if non-approved oils are present, they may cause deformation or corrosion of the front panel's cover. Therefore, prior to installing this product, be sure to confirm the type of conditions that will be present in this product's operating environment. If the installation gasket is used for a long period of time, or if this product and its gasket are removed from the panel, the original level of protection cannot be kept. To maintain the original protection level, be sure to replace the installation gasket regularly.

\*2 For dimensional tolerance, everything +1/-0 mm (+0.04/-0 in) and R in angle are below R3 (R0.12 in).

\*3 Even if the installation wall thickness is within the recommended range for the “Panel Cut Dimensions”, depending on wall’s material, size, and installation location of this product and other devices, the installation wall could warp. To prevent warping, the installation surface may need to be strengthened.

## ***NOTICE***

### **EQUIPMENT DAMAGE**

- Ensure this product is not in permanent and direct contact with oils.
- Do not press on the display of this product with excessive force or with a hard object.
- Do not press on the touch panel with a pointed object, such as the tip of a mechanical pencil or a screwdriver.

**Failure to follow these instructions can result in equipment damage.**

## ***NOTICE***

### **EQUIPMENT DAMAGE**

Do not expose the device to direct sunlight.

**Failure to follow these instructions can result in equipment damage.**

## ***NOTICE***

### **STORAGE AND OPERATION OUTSIDE OF SPECIFICATIONS**

- Store the panel in areas where temperatures are within the product’s specifications.
- Do not restrict or block this panel’s ventilation slots.

**Failure to follow these instructions can result in equipment damage.**

## ***NOTICE***

### **GASKET AGING**

- Inspect the gasket periodically as required by your operating environment.
- Change the gasket at least once a year, or as soon as scratches or dirt become visible.

**Failure to follow these instructions can result in equipment damage.**

---

# Section 4.2

## Functional Specifications

---

### What Is in This Section?

This section contains the following topics:

Topic	Page
Display Specifications	38
Memory, Clock, Touch Panel	39

## Display Specifications

	ST-6200WA	ST-6400WA	ST-6500WA	ST-6600WA	ST-6700WA
Display type	TFT Color LCD				
Display size	4.3"	7"	10.1"	12.1"	15.6"
Resolution	480 x 272 pixels	800 x 480 pixels (WVGA)	1,024 x 600 pixels (WSVGA)	1,280 x 800 pixels (WXGA)	1,366 x 768 pixels (FWXGA)
Effective display area (W x H)	95.04 x 53.86 mm (3.74 x 2.12 in)	154.08 x 85.92 mm (6.07 x 3.38 in)	222.72 x 125.28 mm (8.77 x 4.93 in)	261.12 x 163.2 mm (10.28 x 6.43 in)	344.23 x 193.54 mm (13.55 x 7.62 in)
Display colors	16 million colors For details about display colors, refer to the manual of your screen editing software.				
Backlight	White LED (Not user replaceable. When replacement is required, contact customer support.)				
Backlight service life	50,000 hours or more (continuous operation at 25 °C [77 °F] before backlight brightness decreases to 25%)				
Brightness control	16 levels (Adjusted with touch panel or software)				

## Memory, Clock, Touch Panel

### Memory

	ST-6200WA	ST-64/65/66/6700WA
System memory	Flash EPROM 512 MB (operating system, project data <sup>*1</sup> , and other data)	Flash EPROM 1 GB (operating system, project data <sup>*1</sup> , and other data)
Backup memory	NVRAM 512 KB <sup>*1</sup>	

\*1 Amount of memory you can use depends on your screen editing software. For information refer to the manual of your screen editing software.

### Clock

±65 seconds per month (deviation at room temperature and power is OFF).

Variations in operating conditions and battery life can cause clock deviations from -380 to +90 seconds per month.

For systems where this level of precision is insufficient, the user should monitor and make adjustments when required.

The primary battery is non-rechargeable, and is used for data backup of memory and the internal clock. If the primary battery is depleted, the backup data is lost. To replace the battery, refer to Replacing the Primary Battery (*see page 89*).

### Touch Panel

Touch panel type	Resistive film (analog, single touch)
Touch panel resolution	1,024 x 1,024
Touch panel service life	1 million times or more

The touch panel does not support two point touch (multiple point touch). If you touch multiple points on the touch panel, it will operate as if you touched the center-point of the multiple touches.

For example, if you touch two or more points on the touch panel and at the center of the touches is a switch for a drive system, even though you did not directly touch that switch, it may function as if you did.

## WARNING

### UNINTENDED EQUIPMENT OPERATION

Do not touch two or more points on the touch panel.

**Failure to follow these instructions can result in death, serious injury, or equipment damage.**

# Section 4.3

## Interface Specifications

---

### What Is in This Section?

This section contains the following topics:

Topic	Page
Interface Specifications	41
Serial Interface	42



## Interface Specifications

	ST-6200WA	ST-64/65/66/6700WA
<b>Serial interface COM1</b>		
Asynchronous transmission	RS-232C/422/485	RS-232C
Data length	7 or 8 bits	
Stop bit	1 or 2 bits	
Parity	None, odd, or even	
Data transmission speed	2,400...115,200 bps	
Connector	D-Sub 9 pin (plug)	
<b>Serial interface COM2</b>		
Asynchronous transmission	–	RS-422/485
Data length	–	7 or 8 bits
Stop bit	–	1 or 2 bits
Parity	–	None, odd, or even
Data transmission speed	–	2,400...115,200 bps, 187,500 bps (MPI)
Connector	–	D-Sub 9 pin (plug)
<b>USB (Type A) interface</b>		
Connector	USB 2.0 (Type A) x 1	
Power supply voltage	5 Vdc ±5%	
Maximum current supplied	500 mA	
Maximum transmission distance	5 m (16.4 ft)	
<b>USB (micro-B) interface</b>		
Connector	USB 2.0 (micro-B) x 1	
Maximum transmission distance	5 m (16.4 ft)	
<b>Ethernet interface</b>		
Standard	IEEE802.3i/IEEE802.3u, 10BASE-T/100BASE-TX	
Connector	Modular jack (RJ-45) x 1	Modular jack (RJ-45) x 2

**NOTE:** Use only the SELV (Safety Extra-Low Voltage) circuit to connect the serial, USB and Ethernet interfaces.

## Serial Interface

### Introduction

**NOTE:** For information on how to connect controllers and other types of equipment, refer to the corresponding device driver manual of your screen editing software.

On ST-6200WA, you can switch the communication method between RS-232C and RS-422/RS-485 via the software.

The serial interface is not isolated. The SG (signal ground) and FG (functional ground) terminals are separated inside this product.

### **DANGER**

#### **ELECTRIC SHOCK AND FIRE**

- Make a direct connection between the functional ground (FG) terminal and ground.
- Do not connect other devices to ground through the functional ground (FG) terminal of this device.
- Install all cables according to local codes and requirements. If local codes do not require grounding, follow a reliable guide such as the US National Electrical Code, Article 800.

**Failure to follow these instructions will result in death or serious injury.**

### **CAUTION**

#### **LOSS OF COMMUNICATION**

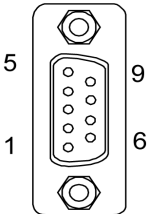
- Do not put excessive stress on the communication ports of all connections.
- Securely attach communication cables to the panel wall or cabinet.
- Use a D-Sub 9 pin connector that has jack screws.

**Failure to follow these instructions can result in injury or equipment damage.**

**NOTE:** Use within the rated current.

**RS-232C**

D-Sub 9 pin plug connector

Product side	Pin No.	RS-232C		
		Signal name	Direction	Meaning
	1	CD	Input	Carrier Detect
	2	RD (RXD)	Input	Receive Data
	3	SD (TXD)	Output	Send Data
	4	ER (DTR)	Output	Data Terminal Ready
	5	SG	–	Signal Ground
	6	DR (DSR)	Input	Data Set Ready
	7	RS (RTS)	Output	Request to Send
	8	CS (CTS)	Input	Send possible
	9	CI (RI)/VCC	Input/–	Called Status Display +5 Vdc ±5% Output 0.25 A <sup>*1</sup>
	Shell	FG	–	Functional Ground

\*1 You can switch pin #9 between CI (RI) and VCC via the software. The VCC output is not protected against overcurrent. To prevent damage or malfunction, use only within the rated current.

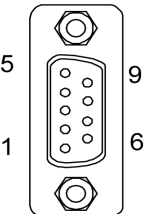
Interfit bracket is #4-40 (UNC).

Recommendations:

- Cable Connector: XM3D-0921 manufactured by OMRON Corporation.
- Cable Cover: XM2S-0913 manufactured by OMRON Corporation.
- Jack Screw (#4-40 UNC): XM2Z-0073 manufactured by OMRON Corporation.

**RS-422/485**

D-Sub 9 pin plug connector

Product side	Pin No.	RS-422/RS-485		
		Signal name	Direction	Meaning
	1	RDA	Input	Receive Data A (+)
	2	RDB	Input	Receive Data B (-)
	3	SDA	Output	Send Data A (+)
	4	ERA	Output	Data Terminal Ready A (+)
	5	SG	-	Signal Ground
	6	CSB	Input	Send Possible B (-)
	7	SDB	Output	Send Data B (-)
	8	CSA	Input	Send possible A (+)
	9	ERB	Output	Data Terminal Ready B (-)
	Shell	FG	-	Functional Ground

Interfit bracket is #4-40 (UNC).

Recommendations:

- Cable Connector: XM3D-0921 manufactured by OMRON Corporation.
- Cable Cover: XM2S-0913 manufactured by OMRON Corporation.
- Jack Screw (#4-40 UNC): XM2Z-0073 manufactured by OMRON Corporation.

---

# Chapter 5

## Dimensions

---

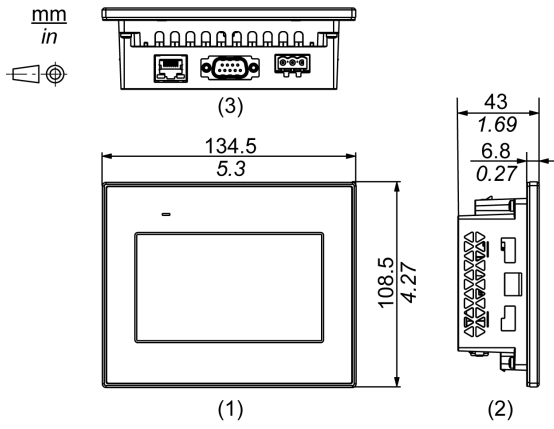
### What Is in This Chapter?

This chapter contains the following topics:

Topic	Page
ST-6200WA	46
ST-6400WA	48
ST-6500WA	50
ST-6600WA	53
ST-6700WA	56

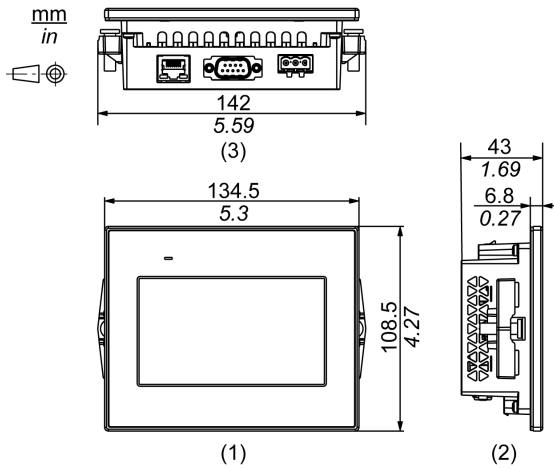
# ST-6200WA

## External Dimensions



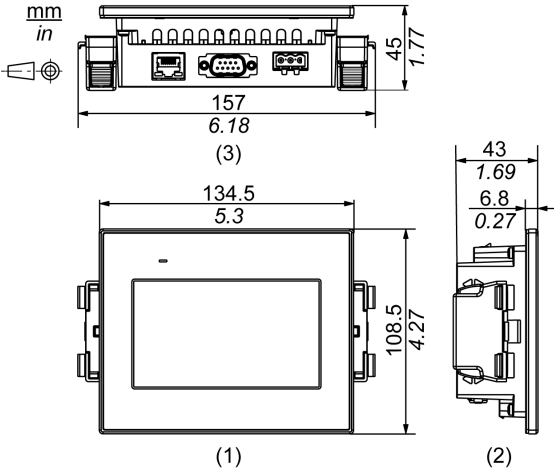
- 1 Front
- 2 Left
- 3 Bottom

## Dimensions with Installation Fasteners



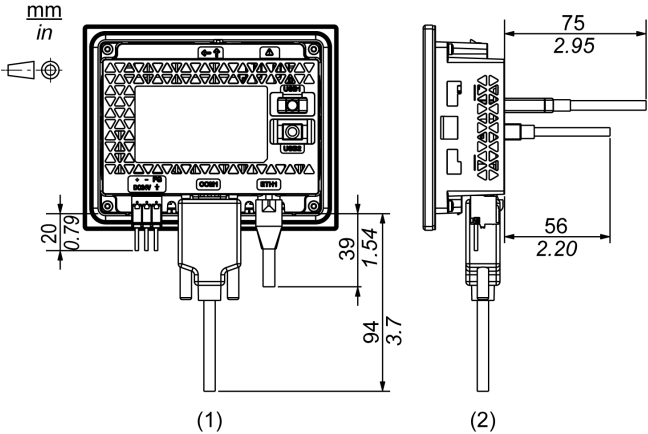
- 1 Front
- 2 Left
- 3 Bottom

Dimensions with Spring Clips



- 1 Front
- 2 Left
- 3 Bottom

Dimensions with Cables

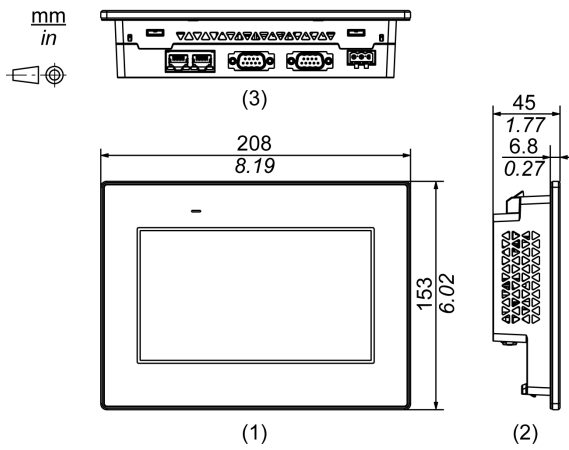


- 1 Rear
- 2 Right

**NOTE:** All the above values are designed with cable bending in mind. The dimensions given here are representative values depending on the type of connection cable in use. Therefore, these values are intended for reference only.

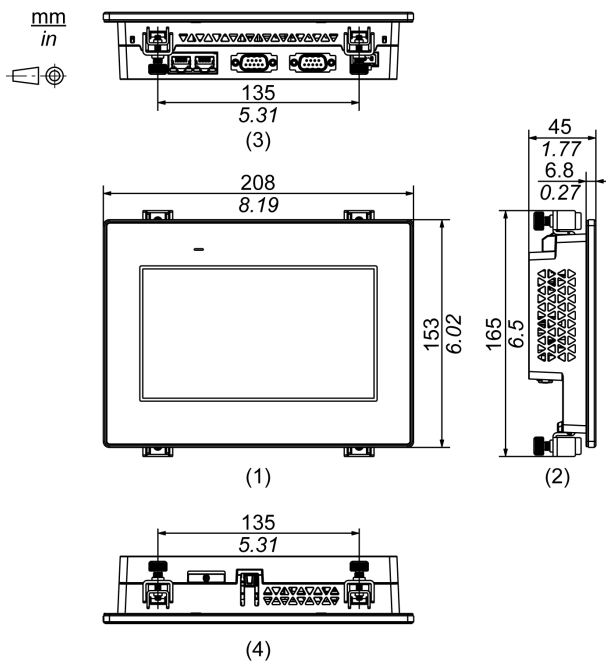
# ST-6400WA

## External Dimensions



- 1 Front
- 2 Left
- 3 Bottom

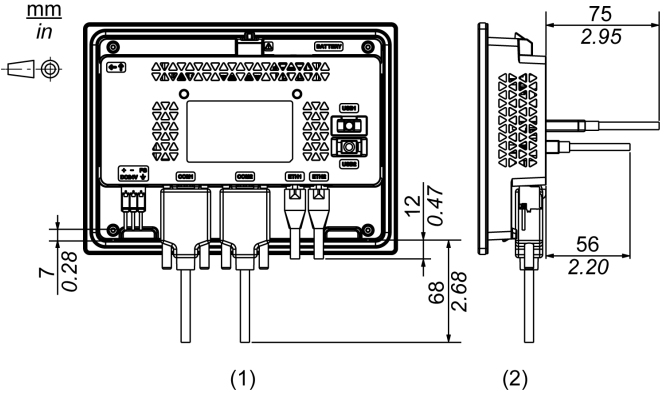
## Dimensions with Installation Fasteners



- 1 Front
- 2 Left
- 3 Bottom
- 4 Top



Dimensions with Cables



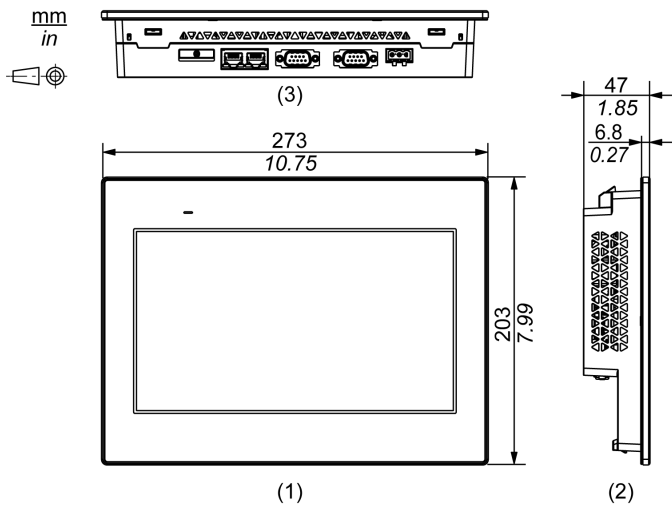
1 Rear

2 Right

**NOTE:** All the above values are designed with cable bending in mind. The dimensions given here are representative values depending on the type of connection cable in use. Therefore, these values are intended for reference only.

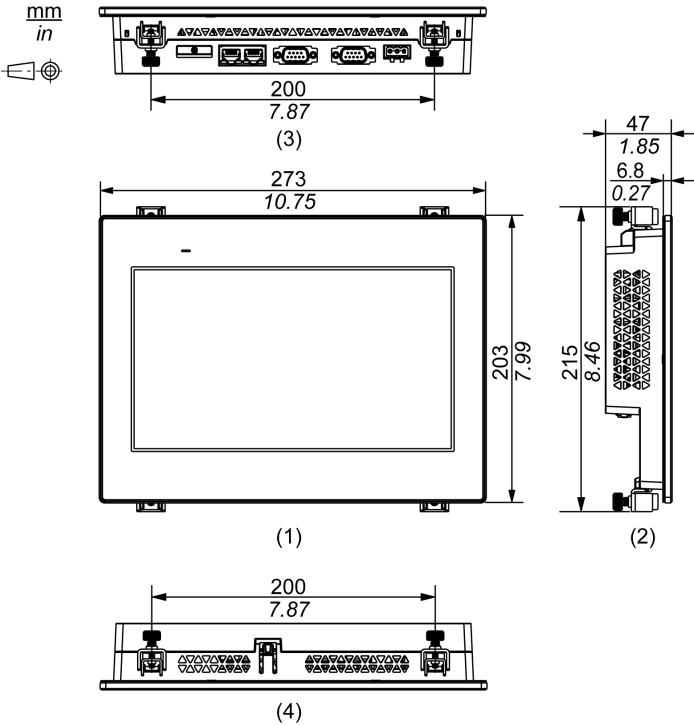
# ST-6500WA

## External Dimensions



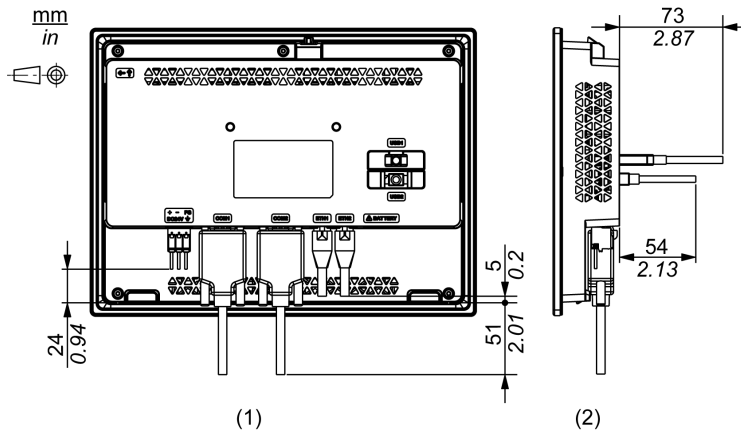
- 1 Front
- 2 Left
- 3 Bottom

Dimensions with Installation Fasteners



- 1 Front
- 2 Left
- 3 Bottom
- 4 Top

Dimensions with Cables



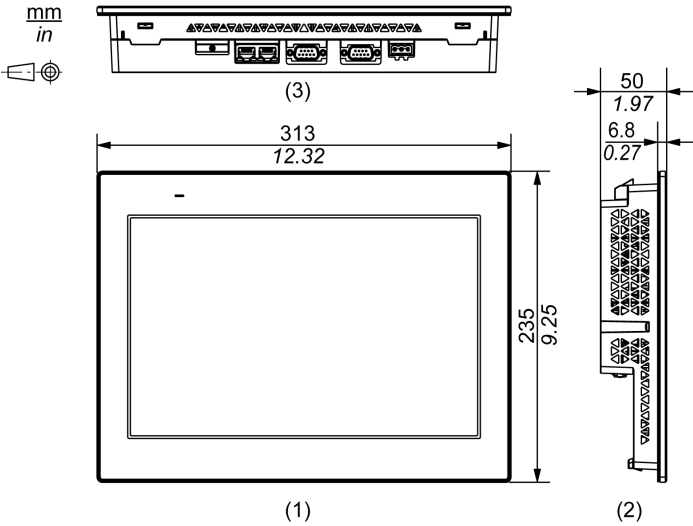
1 Rear

2 Right

**NOTE:** All the above values are designed with cable bending in mind. The dimensions given here are representative values depending on the type of connection cable in use. Therefore, these values are intended for reference only.

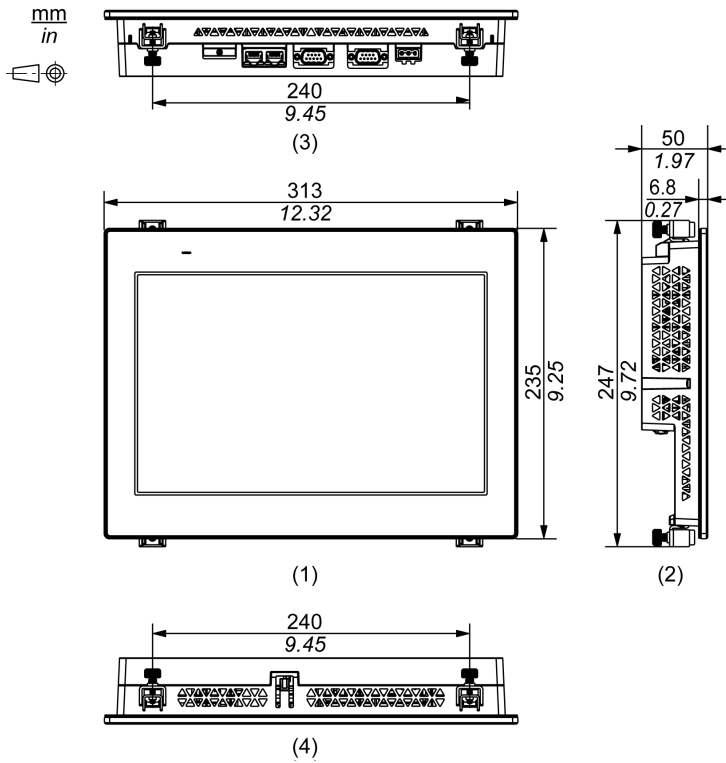
# ST-6600WA

## External Dimensions



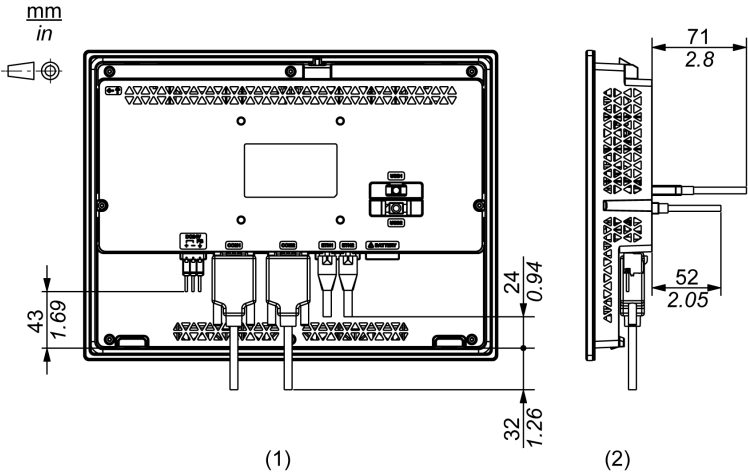
- 1 Front
- 2 Left
- 3 Bottom

Dimensions with Installation Fasteners



- 1 Front
- 2 Left
- 3 Bottom
- 4 Top

Dimensions with Cables

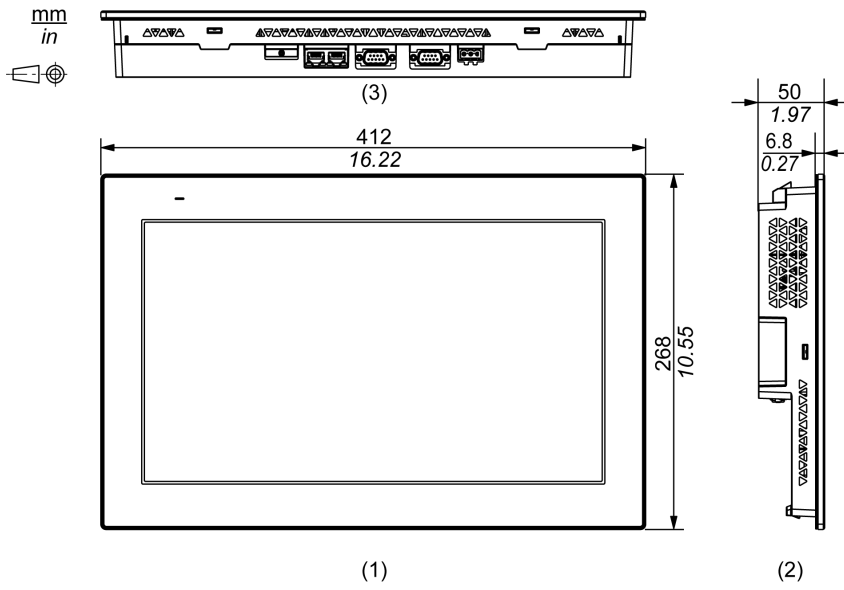


- 1 Rear
- 2 Right

**NOTE:** All the above values are designed with cable bending in mind. The dimensions given here are representative values depending on the type of connection cable in use. Therefore, these values are intended for reference only.

# ST-6700WA

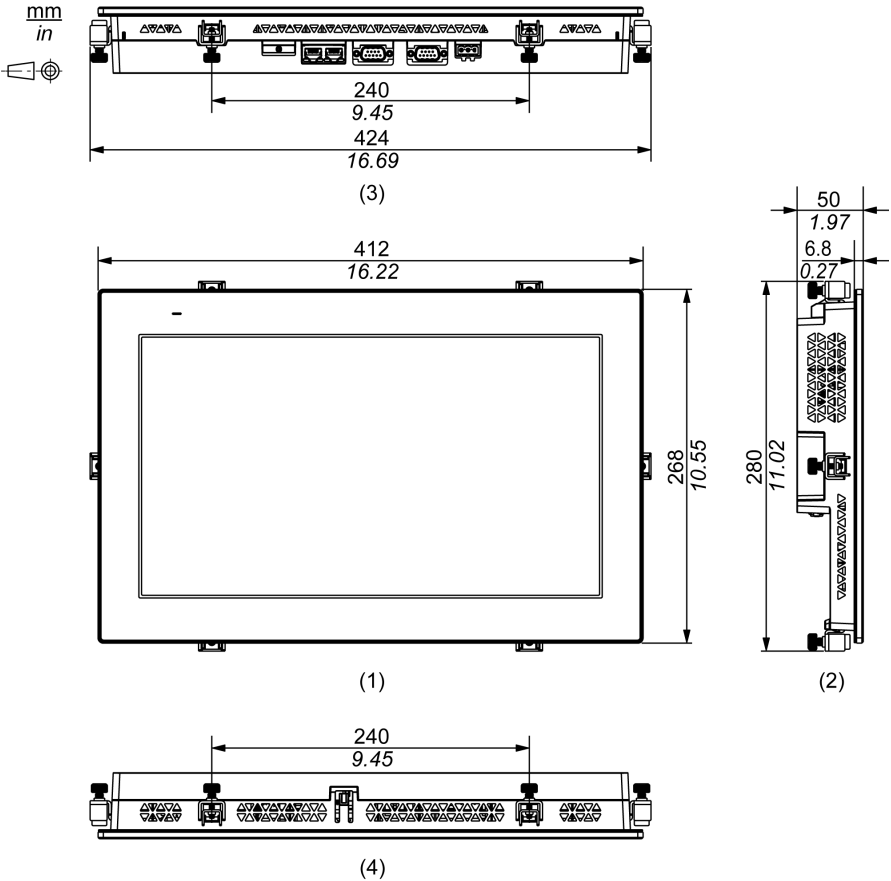
## External Dimensions



- 1 Front
- 2 Left
- 3 Bottom

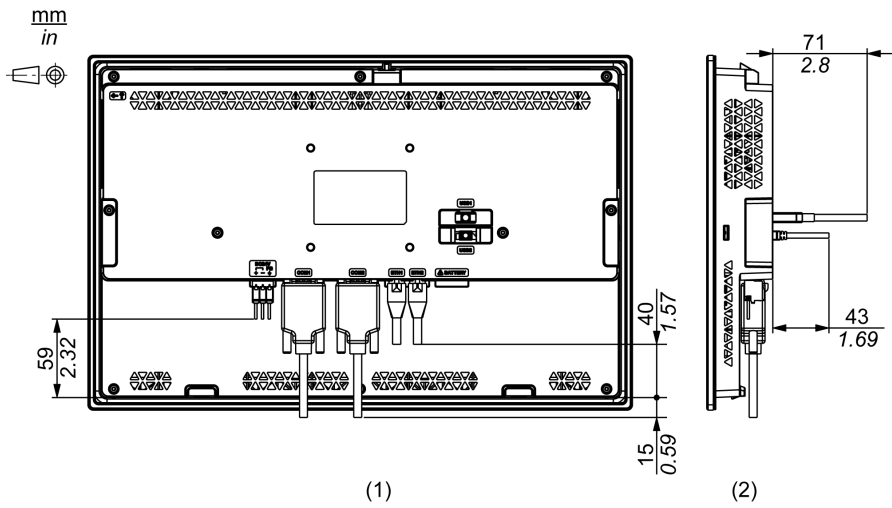


Dimensions with Installation Fasteners



- 1 Front
- 2 Left
- 3 Bottom
- 4 Top

Dimensions with Cables



1 Rear

2 Right

**NOTE:** All the above values are designed with cable bending in mind. The dimensions given here are representative values depending on the type of connection cable in use. Therefore, these values are intended for reference only.

# Chapter 6

## Installation and Wiring

---

### What Is in This Chapter?

This chapter contains the following sections:

Section	Topic	Page
6.1	Installation	60
6.2	Wiring Principles	73
6.3	USB Cable Clamp	79
6.4	Isolation Unit and USB/RS-422/485 Conversion Adapter	81

# Section 6.1

## Installation

---

### What Is in This Section?

This section contains the following topics:

Topic	Page
Introduction	61
Installation Requirements	62
Panel Cut Dimensions	64
Installation Procedure (ST-6200WA)	65
Installation Procedure (ST-64/65/66/6700WA)	69
Removal Procedure	71

## Introduction

This product is designed for use on flat surfaces of IP65F, Type 1, Type 4X (indoor use only) and Type 13 enclosures.

Be aware of the following when building this product into an end-use product:

- The rear face of this product is not approved as an enclosure. When building this product into an end-use product, be sure to use an enclosure that satisfies standards as the end-use product's overall enclosure.
- Install this product in an enclosure with mechanical rigidity.
- This product is not designed for outdoor use. UL certification obtained is for indoor use only.
- Install and operate this product with its front panel facing outward.

**NOTE:**

- The necessary torque is 0.5 N•m (4.4 lb-in).
- IP65F is not part of the UL certification.

## Installation Requirements

### CAUTION

#### RISK OF BURNING INJURY

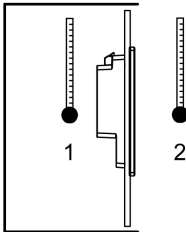
Do not touch the bezel or rear chassis during operation.

**Failure to follow these instructions can result in injury or equipment damage.**

Check that the installation wall or cabinet surface is flat, in good condition and has no jagged edges. Metal reinforcing strips may be attached to the inside of the wall, near the panel-cut, to increase its rigidity.

Decide on the thickness of the enclosure wall, based on the level of strength required. Even if the installation wall thickness is within the recommended range for the Panel Cut Dimensions (*see page 64*), depending on wall's material, size, and installation location of this product and other devices, the installation wall could warp. To prevent warping, the installation surface may need to be strengthened.

Check that the ambient air temperature and the ambient humidity are within their specified ranges in Environmental Specifications (*see page 34*). When installing this product in a cabinet or enclosure, the ambient air temperature is the cabinet's or enclosure's internal temperature.



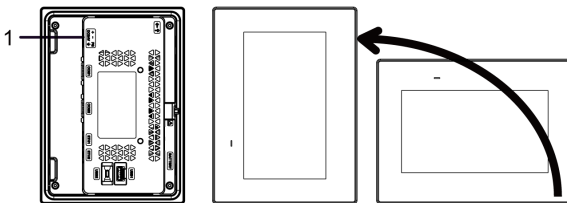
**1** Internal temperature

**2** External temperature

Be sure that heat from surrounding equipment does not cause this product to exceed its standard operating temperature.

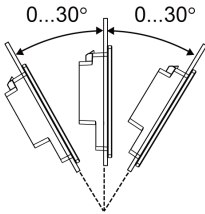
When mounting this product vertically, ensure that the right side of this product faces up. In other words, the DC power connector should be at the top.

**NOTE:** For vertical mounting, make sure your screen editing software supports the function.

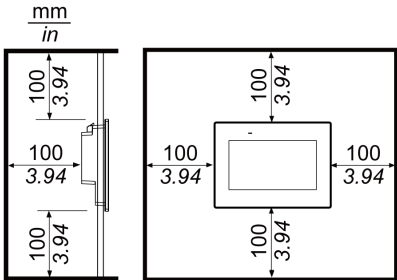


**1** Power connector

When installing this product in a slanted position, the product face should not incline more than 30°.

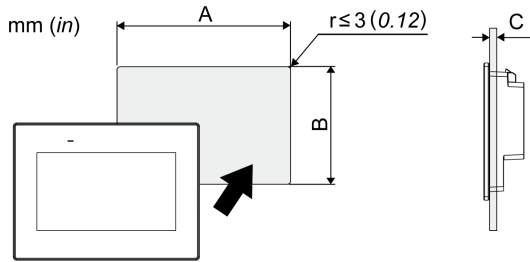


For easier maintenance, operation and improved ventilation, install this product at least 100 mm (3.94 in) away from adjacent structures and other equipment as shown in the following illustration:



## Panel Cut Dimensions

Based on the panel cut dimensions, open a mount hole on the panel.



Model name	A	B	C
ST-6200WA	118.5 mm (+1/-0 mm) 4.67 in [+0.04/-0 in]	92.5 mm (+1/-0 mm) (3.64 in [+0.04/-0 in])	1.6...5 mm (0.06...0.2 in)
ST-6400WA	190 mm (+1/-0 mm) (7.48 in [+0.04/-0 in])	135 mm (+1/-0 mm) (5.31 in [+0.04/-0 in])	When installing ST-6200WA with spring clips: Position 1: 1.5...4 mm (0.06...0.16 in)
ST-6500WA	255 mm (+1/-0 mm) (10.04 in [+0.04/-0 in])	185 mm (+1/-0 mm) (7.28 in [+0.04/-0 in])	
ST-6600WA	295 mm (+1/-0 mm) (11.61 in [+0.04/-0 in])	217 mm (+1/-0 mm) (8.54 in [+0.04/-0 in])	Position 2: 4...6 mm (0.16...0.24 in)
ST-6700WA	394 mm (+1/-0 mm) (15.51 in [+0.04/-0 in])	250 mm (+1/-0 mm) (9.84 in [+0.04/-0 in])	<b>NOTE:</b> For the positions, refer to the Installation Procedure (ST-6200WA) ( <i>see page 65</i> )



## Installation Procedure (ST-6200WA)

### DANGER

#### HAZARD OF ELECTRIC SHOCK, EXPLOSION, OR ARC FLASH

- Remove all power from the device before removing any covers or elements of the system, and prior to installing or removing any accessories, hardware, or cables.
- Unplug the power cable from both this product and the power supply.
- Always use a properly rated voltage sensing device to confirm power is off.
- Replace and secure all covers or elements of the system before applying power to this product.

**Failure to follow these instructions will result in death or serious injury.**


### NOTICE

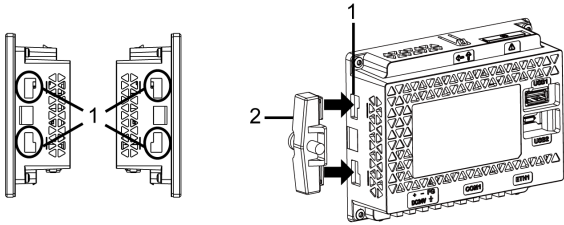
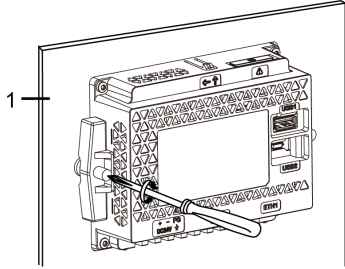
#### EQUIPMENT DAMAGE

Keep this product stabilized in the panel-cut while you are installing or removing the screw fasteners.

**Failure to follow these instructions can result in equipment damage.**

### Installing Using Installation Fasteners

Step	Action
1	Place this product on a clean and level surface with the screen facing down.
2	<p>Check that this product's gasket is seated securely into the bezel's groove, which runs around the perimeter of the display panel frame.</p> <p><b>NOTE:</b> Always use the installation gasket, since it absorbs vibration in addition to repelling water. For the procedure on replacing the installation gasket, refer to Replacing the Installation Gasket (<i>see page 88</i>).</p>
3	<p>Based on this product's Panel Cut Dimensions (<i>see page 64</i>), open a mount-hole on the panel and attach this product to the panel from the front side.</p> <p><b>NOTE:</b> This product has a hook on the top to prevent falling during installation. Insert this product into the panel at an angle to avoid hitting the hook.</p>  <p>1 Hook</p>

Step	Action
4	<p>Insert the installation fastener hooks into the insertion slots of this product.</p>  <p>1 Insertion slots 2 Installation fastener</p>
5	<p>In a clockwise direction, tighten the installation fastener's screws with a screwdriver. The necessary torque is 0.5 N•m (4.4 lb-in).</p>  <p>1 Installation panel</p>

## ***NOTICE***

### **BROKEN ENCLOSURE**


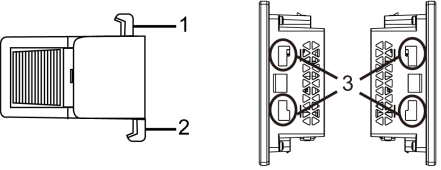
Do not exert more than 0.5 N•m (4.4 lb-in) of torque when tightening the fastener's screws.

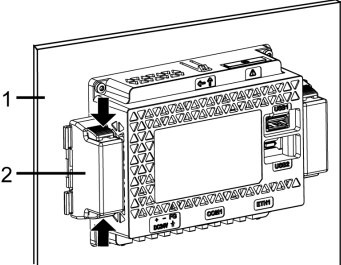
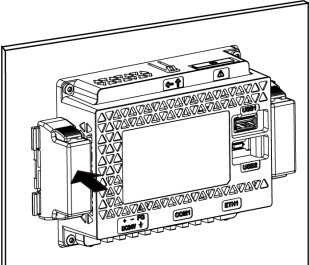
**Failure to follow these instructions can result in equipment damage.**

Installing Using Spring Clips

**⚠ CAUTION**

**SPRING LOADED MECHANISM**  
Do not release the spring clip mechanism near your face.  
**Failure to follow these instructions can result in injury or equipment damage.**

Step	Action
1	Place this product on a clean and level surface with the screen facing down.
2	Check that this product's gasket is seated securely into the bezel's groove, which runs around the perimeter of the display frame. <b>NOTE:</b> Always use the installation gasket, since it absorbs vibration in addition to repelling water. For the procedure on replacing the installation gasket, refer to Replacing the Installation Gasket ( <i>see page 88</i> ).
3	Based on this product's Panel Cut Dimensions ( <i>see page 64</i> ), open a mount hole on the panel and attach this product to the panel from the front side. <b>NOTE:</b> This product has a hook on the top to prevent falling during installation. Insert this product into the panel at an angle to avoid hitting the hook. 
4	Press the spring clip hooks into the insertion slots on this product. Adjust the spring clips for the panel thickness by turning it over: <ul style="list-style-type: none"><li>● Position 1 1.5 mm (0.059 in) ≤ panel thickness ≤ 4 mm (0.157 in).</li><li>● Position 2 4 mm (0.157 in) ≤ panel thickness ≤ 6 mm (0.236 in).</li></ul>  <p>Side of the spring clip 1 Hook for position 1 2 Hook for position 2 3 Insertion slots</p>

Step	Action
5	<p>Lock the spring clips by simultaneously pressing the top and bottom of the clip.</p>  <p>1 Installation panel 2 Spring clip</p>
6	<p>To remove the spring clips, unlock the clips by pressing on the back of the clip until you hear a click.</p> 

**⚠ CAUTION**

**RISK OF INJURY**

Do not drop this product when you remove it from the panel.

- Hold this product in place after removing the spring clips.
- Use both hands.
- While pushing on the hook, be careful not to hurt your fingers.

**Failure to follow these instructions can result in injury or equipment damage.**

## Installation Procedure (ST-64/65/66/6700WA)

### DANGER

#### HAZARD OF ELECTRIC SHOCK, EXPLOSION, OR ARC FLASH

- Remove all power from the device before removing any covers or elements of the system, and prior to installing or removing any accessories, hardware, or cables.
- Unplug the power cable from both this product and the power supply.
- Always use a properly rated voltage sensing device to confirm power is off.
- Replace and secure all covers or elements of the system before applying power to this product.

**Failure to follow these instructions will result in death or serious injury.**


### NOTICE

#### EQUIPMENT DAMAGE

Keep this product stabilized in the panel-cut while you are installing or removing the screw fasteners.

**Failure to follow these instructions can result in equipment damage.**

### Installing Using Installation Fasteners

Step	Action
1	Place this product on a clean and level surface with the screen facing down.
2	<p>Check that this product's gasket is seated securely into the bezel's groove, which runs around the perimeter of the display panel frame.</p> <p><b>NOTE:</b> Always use the installation gasket, since it absorbs vibration in addition to repelling water. For the procedure on replacing the installation gasket, refer to Replacing the Installation Gasket (<i>see page 88</i>).</p>
3	<p>Based on this product's Panel Cut Dimensions (<i>see page 64</i>), open a mount-hole on the panel and attach this product to the panel from the front side.</p> <p><b>NOTE:</b> This product has a hook on the top to prevent falling during installation. Insert this product into the panel at an angle to avoid hitting the hook.</p>  <p>1 Hook</p>

Step	Action
4	<p data-bbox="326 204 1023 233">Insert the installation fastener hooks into the insertion slots of this product.</p> <div data-bbox="358 258 1071 490"> </div> <p data-bbox="326 513 655 620">                     1 Insertion slots                      2 Insertion slots (ST-6700WA only)                      3 Installation fastener                      4 Installation panel                 </p>
5	<p data-bbox="326 629 1116 683">In a clockwise direction, tighten the installation fastener's screws with a screwdriver. The necessary torque is 0.5 N•m (4.4 lb-in).</p> <div data-bbox="358 709 985 1000"> </div> <p data-bbox="326 1031 920 1058"><b>NOTE:</b> The installation fasteners can be screwed by hand too.</p>

## Removal Procedure

### DANGER

#### HAZARD OF ELECTRIC SHOCK, EXPLOSION, OR ARC FLASH

- Remove all power from the device before removing any covers or elements of the system, and prior to installing or removing any accessories, hardware, or cables.
- Unplug the power cable from both this product and the power supply.
- Always use a properly rated voltage sensing device to confirm power is off.
- Replace and secure all covers or elements of the system before applying power to this product.


**Failure to follow these instructions will result in death or serious injury.**

### NOTICE

#### EQUIPMENT DAMAGE

Keep this product stabilized in the panel-cut while you are installing or removing the screw fasteners.

**Failure to follow these instructions can result in equipment damage.**

Step	Action
1	<p>Loosen the screws of the installation fasteners, remove the product slowly from the panel while pressing the hook.</p>  <p>1 Hook</p>

### CAUTION

#### RISK OF INJURY

Do not drop this product when you remove it from the panel.

- Hold this product in place after removing the fasteners.
- Use both hands.
- While pushing on the hook, be careful not to hurt your fingers.

**Failure to follow these instructions can result in injury or equipment damage.**

***NOTICE***

**EQUIPMENT DAMAGE**

To avoid damage, remove this product while pushing the hook or by making sure the lock does not touch the panel.

**Failure to follow these instructions can result in equipment damage.**



---

## Section 6.2

### Wiring Principles

---

#### What Is in This Section?

This section contains the following topics:

Topic	Page
Connecting the DC Power Cord	74
Connecting the Power Supply	76
Grounding	78

## Connecting the DC Power Cord

### DANGER

#### HAZARD OF ELECTRIC SHOCK, EXPLOSION, OR ARC FLASH

- Remove all power from the device before removing any covers or elements of the system, and prior to installing or removing any accessories, hardware, or cables.
- Remove power before wiring this product's power terminals.
- Always use a properly rated voltage sensing device to confirm power is off.
- Replace and secure all covers or elements of the system before applying power to this product.
- Use only the specified voltage when operating this product. This product is designed to use 24 Vdc. Always check whether your device is DC powered before applying power.
- Since this product is not equipped with a power switch, be sure to connect a power switch to the power supply.
- Be sure to ground this product's FG terminal.

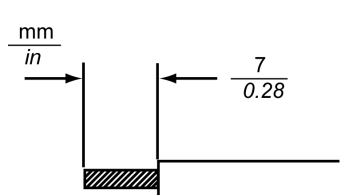
**Failure to follow these instructions will result in death or serious injury.**

#### NOTE:

- The SG (signal ground) and FG (functional ground) terminals are separated inside this product.
- When the FG terminal is connected, be sure the wire is grounded. Not grounding this product can result in excessive electromagnetic interference (EMI).

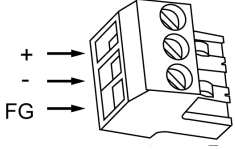
### DC Power Cord Preparation

- Make sure the ground wire is either the same or heavier gauge than the power wires.
- Do not use aluminum wires in the power supply's power cord.
- If the ends of the individual wires are not twisted correctly, the wires may create a short circuit.
- The conductor type is solid or stranded wire.
- Use copper wire rated for 75 °C (167 °F) or higher.
- Use the SELV (Safety Extra-Low Voltage) circuit and LIM (Limited Energy) circuit for DC input.

Power cord diameter	0.75...2.5 mm <sup>2</sup> (18...13 AWG)*1
Conductor type	Solid or stranded wire
Conductor length	
Recommended driver	Flat-head screwdriver (size 0.6 x 3.5)

\*1 For UL compatibility, use AWG 14 or AWG 13.

## DC Power Supply Connector Specifications

	Connection	Wire
	+	24 Vdc
	-	0 Vdc
	FG	Grounded terminal. Connect the FG terminal properly to ground.

**NOTE:** Model number: CA5-DCCNM-01 (or MSTB2,5/3-ST-5,08 by Phoenix Contact)

## How to connect the DC Power Cord

Step	Action
1	Confirm the power cord is not connected to the power supply.
2	Check the rated voltage.
3	Remove the DC power supply connector from this product.
4	Strip the membrane of the power cord, and twist the wire ends.
5	Insert each power cord wire into its corresponding hole. Fasten the screws of the DC power supply connector to clamp the wire in place. <b>NOTE:</b> <ul style="list-style-type: none"> <li>● The necessary torque is 0.56 N•m (5 lb-in).</li> <li>● Do not solder the cable connection.</li> </ul>
6	After inserting all three power cord wires, insert the DC power supply connector into the power connector on this product.

## Connecting the Power Supply

### Precautions

⚡ ⚠ **DANGER**

**SHORT CIRCUIT, FIRE, OR UNINTENDED EQUIPMENT OPERATION**

Avoid excessive force on the power cable to prevent accidental disconnection

- Securely attach power cables to an installation panel or cabinet.
- Install and fasten this product on installation panel or cabinet prior to connecting power supply and communication lines.

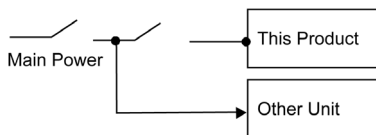
**Failure to follow these instructions will result in death or serious injury.**

### Improving Noise/Surge Resistance

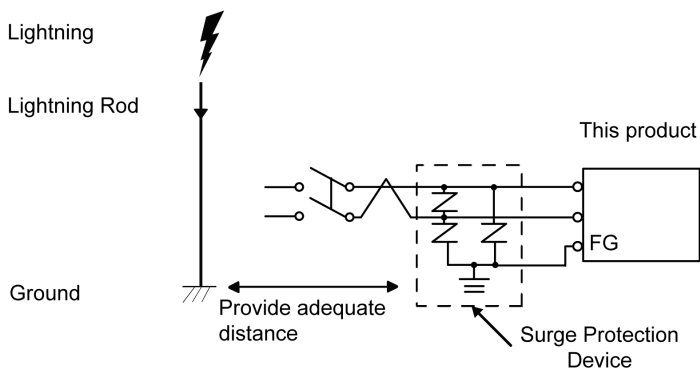
- This product's power supply cord should not be bundled with or kept close to main circuit lines (high voltage, high current), power lines, or input/output lines, and their various systems should be kept separate. When power lines cannot be wired via a separate system, use shielded cables for input/output lines.
- Make the power cord as short as possible, and be sure to twist the ends of the wires together (i.e. twisted pair cabling) from close to the power supply unit.
- If there is an excess amount of noise on the power supply line, reduce the noise with a noise filter before turning on the power.
- Connect a surge protection device to handle power surges.
- To increase noise resistance, attach a ferrite core to the power cable.

### Power Supply Connections

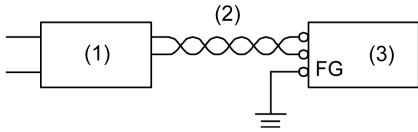
- When supplying power to this product, connect the power as shown below.



- Use the SELV (Safety Extra-Low Voltage) circuit and LIM (Limited Energy) circuit for DC input.
- The following shows a surge protection device connection:



- Attach a surge protection device to prevent damage to this product as a result of a lightning-induced power surge from a large electromagnetic field generated from a direct lightning strike. We also strongly recommend to connect the crossover grounding wire of this product to a position close to the ground terminal of the surge protection device. It is expected that there will be an effect on this product due to fluctuations in grounding potential when there is a large surge flow of electrical energy to the lightning rod ground at the time of a lightning strike. Provide adequate distance between the lightning rod grounding point and the surge protection device grounding point.
- If the voltage variation is outside the prescribed range, connect a regulated power supply.

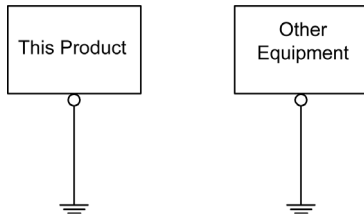


- 1 Regulated power supply
- 2 Twisted-pair cord
- 3 This product

## Grounding

### Exclusive Grounding

Always ground the FG (functional ground) terminal. Be sure to separate this product from the FG of other devices as shown below.



### Precautions

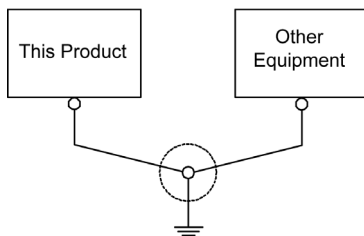
- Check that the grounding resistance is 100 Ω or less.\*1
- The FG wire should have a cross sectional area greater than 2 mm<sup>2</sup> (AWG14)\*1. Create the connection point as close to this product as possible, and make the wire as short as possible. When using a long grounding wire, replace the thin wire with a thicker wire, and place it in a duct.
- When connecting the FG (functional ground) and the SG (signal ground), be sure that no ground loop is formed.

\*1 Observe local codes and standards.

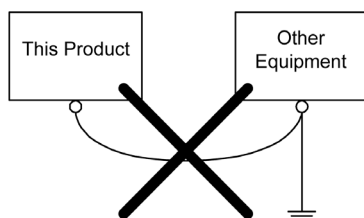
### Common Grounding

Electromagnetic Interference (EMI) can be created if devices are improperly grounded. EMI can cause loss of communication. If exclusive grounding is not possible, use a common grounding point as shown in the configuration below. Do not use any other configuration for common grounding.

Correct grounding



Incorrect grounding



## Section 6.3

### USB Cable Clamp

#### USB Clamp Type A (1 port)

##### Introduction

When using a USB device, attach a USB cable clamp to the USB interface to prevent the USB cable from being disconnected.

### **⚠ DANGER**


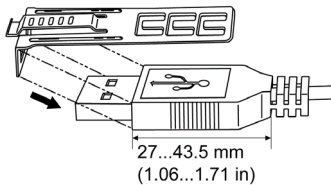
#### **POTENTIAL FOR EXPLOSION**

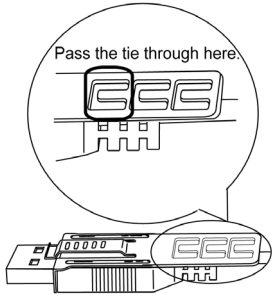
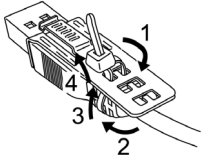
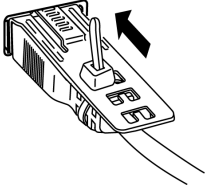
- Do not disconnect equipment while the circuit is live or unless the area is known to be free of ignitable concentrations.
- Remove power before attaching or detaching any connectors to or from this product.
- Ensure that power, communication, and accessory connections do not place excessive stress on the ports. Consider the vibration in the environment when making this determination.
- Securely attach power, communication, and external accessory cables to the panel or cabinet.
- Use only commercially available USB cables.
- Use only non-incendive USB configurations.
- Use the USB (micro-B) interface for temporary connection only during maintenance and setup of the device.
- Do not use this product in hazardous environments.
- Confirm that the USB cable has been attached with the USB cable clamp before using the USB interface.

**Failure to follow these instructions will result in death or serious injury.**

#### Attaching USB Clamp Type A (1 port)

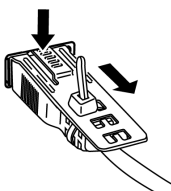
**NOTE:** Watch your fingers. The edge of the clip is sharp.

Step	Action
1	<p>Mount the clip to the USB mark  connector shell so that it overlaps. The clip matches the 27 to 43.5 mm (1.06 to 1.71 in) length of the USB connector.</p> 

Step	Action
2	<p>Align the clip and the USB cable connector shell. Adjust the position of the holes where the clip is attached. To ensure stability, select the clip-hole position that is closest to the base of the connector shell.</p> 
3	<p>As shown, pass the tie through the clip hole. Next, turn the tie and pass it through the head so that the USB cable can pass through the center of the tie loop. The clip is now attached to the USB cable.</p>  <p><b>NOTE:</b></p> <ul style="list-style-type: none"> <li>• Check the direction of the head beforehand. Make sure the USB cable is through the center of the tie loop and that the tie can pass through the head.</li> <li>• You can substitute the tie provided with PFXZCBCLUSA1 (by Pro-face), or other commercially available ties with a width of 4.8 mm (0.19 in) and thickness of 1.3 mm (0.05 in).</li> </ul>
4	<p>While pressing the grip on the clip, insert the cable from step 3 all the way into the USB host interface. Make sure that the clip tab is secured to the USB cable attached to this product.</p> 

### Removing USB Cable Clamp Type A (1 port)

Remove the USB cable while pushing the grip section of the clip.





---

# Section 6.4

## Isolation Unit and USB/RS-422/485 Conversion Adapter

---

### What Is in This Section?

This section contains the following topics:

Topic	Page
Introduction	82
Installation Procedure	83

## Introduction

**NOTE:** For details such as settings when using the Isolation Unit or USB/RS-422/485 Conversion Adapter, refer to the product manual.

### **DANGER**

#### **HAZARD OF ELECTRIC SHOCK OR EXPLOSION**

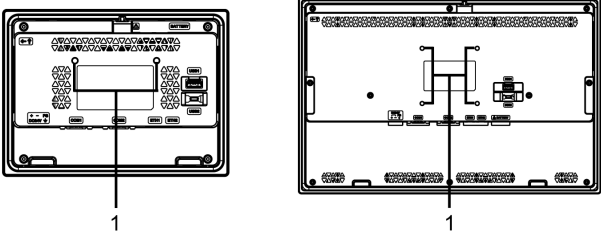

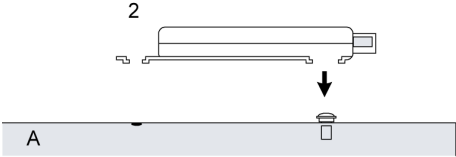

To avoid an electric shock, prior to connecting the Isolation Unit or USB/RS-422/485 Conversion Adapter to this product, confirm that this product's power supply is completely turned OFF.

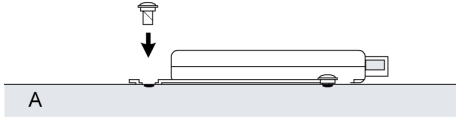
**Failure to follow these instructions will result in death or serious injury.**

# Installation Procedure

You can install the Isolation Unit or USB/RS-422/485 Conversion Adapter to the back of this product or to the installation panel. For more information on how to attach the Isolation Unit or USB/RS-422/485 Conversion Adapter to the installation panel, please refer to the product installation guide.

**NOTE:** Installing the USB/RS-422/485 Conversion Adapter to this product is the same as the following procedure.

Step	Action
1	<p>Check the locations of two screw holes on the rear of this product.</p> <p>ST-64/6500WA                      ST-66/6700WA</p>  <p>1 Screw hole</p> <p><b>NOTE:</b> For ST-6200WA, attach to any part except this product.</p>
2	<p>Install one of the two attachment screws included in the Isolation Unit to this product. Use a torque of 0.5 N•m (4.4 lb-in).</p>  <p>1 Attachment screw A This product</p>
3	<p>Attach the Isolation Unit to this product.</p>  <p>2 Isolation unit A This product</p>
4	<p>Slide the Isolation Unit in the direction of the arrow so the Isolation Unit is hooked by the screw from Step 2.</p>  <p>A This product</p>

Step	Action
5	<p>Secure the Isolation Unit in place with another attachment screw. Use a torque of 0.5 N•m (4.4 lb-in).</p>  <p>A This product</p>

**NOTE:**

- Attach the Isolation Unit to a stable surface. Do not leave the Isolation Unit or USB/RS-422/485 Conversion Adapter hanging by its cord.
- Be careful with wire placement. Overlapping cords may cause noise.

---

# Chapter 7

## Maintenance

---

### What Is in This Chapter?

This chapter contains the following topics:

Topic	Page
Regular Cleaning	86
Periodic Check Points	87
Replacing the Installation Gasket	88
Replacing the Primary Battery	89
Replacing the Backlight	91
After-sales Service	92

## Regular Cleaning

### Cleaning this product

<b><i>NOTICE</i></b>
----------------------

<b>EQUIPMENT DAMAGE</b>
-------------------------

- Power off this product before cleaning it.
- Do not use hard or pointed objects to operate the touch panel.
- Do not use paint thinner, organic solvents, or a strong acid compound to clean the unit.

<b>Failure to follow these instructions can result in equipment damage.</b>
---

When this product gets dirty, soak a soft cloth in water with a neutral detergent, wring the cloth tightly and wipe this product.

## Periodic Check Points

### Operation Environment

- Is the ambient air temperature within the allowable range? Refer to Environmental Specifications (*see page 34*)
- Is the ambient air humidity within the specified range? Refer to Environmental Specifications (*see page 34*)
- Is the operating atmosphere free of corrosive gasses?

When this product is inside a panel, the ambient environment refers to the interior of the panel.

### Electrical Specifications

- Is the input voltage appropriate? Refer to Electrical Specifications (*see page 33*)
- Are all power cords and cables connected properly? Are there any loose cables?
- Are all mounting brackets holding the unit securely?
- Are there scratches or traces of dirt on the installation gasket?

### Unit Disposal

When disposing this product, dispose it in a manner appropriate to, and in accordance with, your country's industrial machinery disposal/recycling standards.

## Replacing the Installation Gasket

### Introduction

The installation gasket provides protection against dust and moisture.

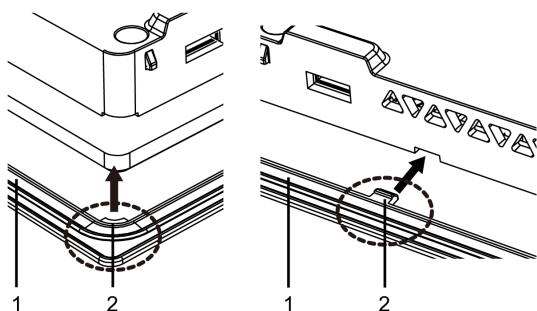
### ***NOTICE***

#### **GASKET AGING**

- Inspect the gasket periodically as required by your operating environment.
- Change the gasket at least once a year, or as soon as scratches or dirt become visible.

**Failure to follow these instructions can result in equipment damage.**

### Installing the Installation Gasket

Step	Description
1	Place this product on a flat, level surface, with the display face pointing down.
2	Remove the gasket from this product.
3	<p>Attach the new gasket to this product. Insert the protrusions from the four corners of the gasket into the corresponding holes in the corners of this product. Depending on your model, there may be additional protrusions. In the following, refer to the figure on the right and insert the protrusions accordingly.</p> <p><b>NOTE:</b> When using a tool to insert the gasket, make sure the tool does not catch the rubber gasket and cause a tear.</p> <div style="text-align: center;">  </div> <p>1 Installation gasket 2 Protruding point</p>

The gasket must be inserted correctly into the groove for moisture resistance for this product.

### ***NOTICE***

#### **EQUIPMENT DAMAGE**

Be careful not to stretch the gasket unnecessarily.

**Failure to follow these instructions can result in equipment damage.**



## Replacing the Primary Battery

### Introduction

The primary battery is non-rechargeable, and is used for data backup of memory and the internal clock. If the primary battery is depleted, the backup data is lost. Use only the replacement battery for this product (PFXZGEBT1).

### DANGER

#### HAZARD OF ELECTRIC SHOCK, EXPLOSION, OR ARC FLASH

- Follow the procedures step by step to replace the battery correctly and safely.
- Before replacing the battery, turn off this product's power.

**Failure to follow these instructions will result in death or serious injury.**

### DANGER

#### EXPLOSION, FIRE, OR CHEMICAL HAZARD

- Use only the identical replacement battery for this product.
- Do not cause a short circuit.
- Recycle or properly dispose of used batteries.
- Do not recharge, disassemble or heat above 80 °C (176 °F).
- Use your hands or insulated tools to remove or replace the battery.
- Maintain proper polarity when inserting and connecting a new battery.

**Failure to follow these instructions will result in death or serious injury.**

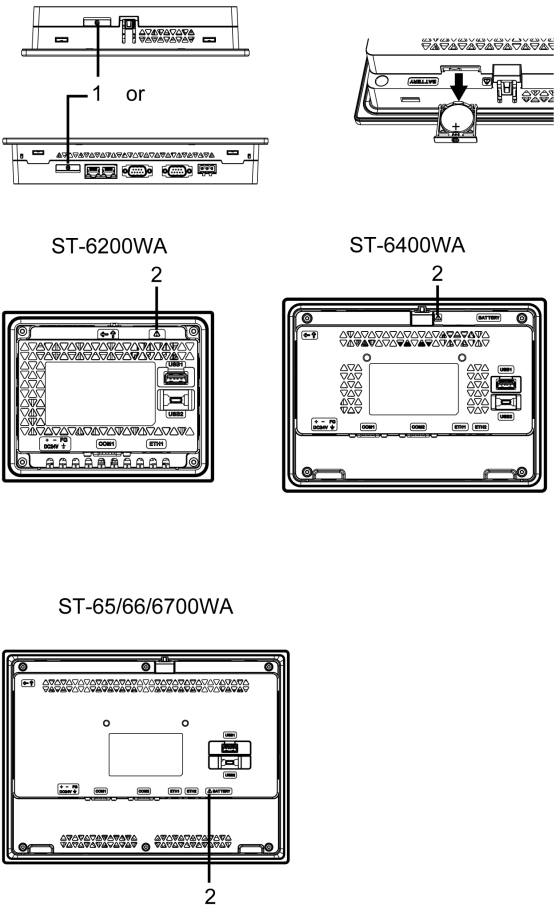
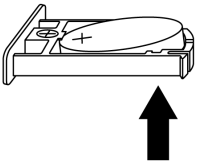
### *NOTICE*

#### LOSS OF DATA

- Replace the battery regularly every five years after you purchase this product.
- Allow only qualified personnel to change the battery.

**Failure to follow these instructions can result in equipment damage.**

Step	Action
1	Disconnect the power supply from this product.
2	Touch the housing or ground connection to discharge any electrostatic charge from your body.
3	Place this product on a flat, level surface, with the front side pointing up.

Step	Action
4	<p data-bbox="323 204 865 227">Open the battery slot on the top or bottom of this product.</p>  <p data-bbox="323 1180 454 1203">1 Battery slot</p> <p data-bbox="323 1207 1050 1230">2 Safety alert symbol (see the safety messages stated on the previous page)</p>
5	<p data-bbox="323 1248 1078 1271">Remove the spent battery from the tray by touching the battery from the bottom.</p> 
6	<p data-bbox="323 1483 1197 1532">Put the new battery on the tray in accordance with the polarity markings in the tray and on the battery.</p>
7	<p data-bbox="323 1547 648 1570">Insert the tray into the battery slot.</p>
8	<p data-bbox="323 1584 742 1607">Reconnect the power supply to this product.</p> <p data-bbox="323 1619 1170 1673"><b>NOTE:</b> After reconnecting the power supply, set up the clock again. Refer to your screen editing software manual on how to set up the clock.</p>

## Replacing the Backlight

Not user replaceable. When replacement is required, contact customer support.

## After-sales Service

### Information

For details on after-sales service, refer to our website at

<http://www.pro-face.com/trans/en/manual/1001.html>