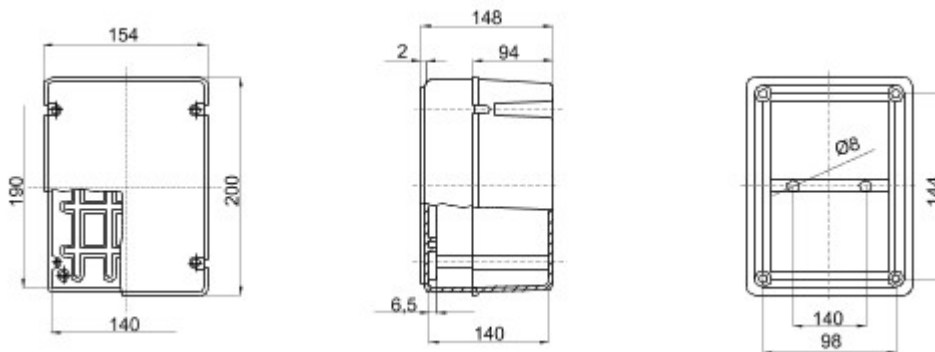




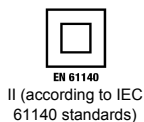
Range 44 CE - Surface-mounting watertight junction boxes in compliance with EN 60670-1 (CEI 23-48) and IEC 60670-22 (CEI 23-94) and made in high-performance technopolymers. The range includes versions with protection degree IP44, IP55, IP56 with smooth walls or with quick entry cable glands and different type of covers: blind / transparent, deep/plain, press-on/screw (in plastic, also 1/4 turn, or in metal). Available in different self-extinguishing materials (up to GWT 960 °C). Suitable for ordinary junctions, for special uses, and for industrial uses.

| | | | |
|---------------------------|--|--------------------------------------|--------------------------|
| Insulation class | II (according to IEC 61140 standards) | Colour | Grey RAL 7035 |
| IP degree | IP56 | Material | Technopolymer GWPLAST 75 |
| Mechanical resistance | IK08 | Internal dim. LxHxD (mm) | 190x140x140 |
| Max Ø holes possible | 37 mm | Lid screws (no. and type) | 4 insul. sealable hinged |
| Application | Ordinary junctions | Glow Wire Test | 650 °C |
| Lid | Deep screwed | Operating temperature | -25 +60 °C |
| Type of material | Halogen-free in compliance with EN 60754-2 | Electrocod | 02211 |
| Thermo-pressure with ball | 85 °C | Torque screws tightening | 1.8 Newton/meter |
| Walls | Smooth | Accessories for insulation restoring | GW44621, GW44622 |

DIMENSIONAL



TECHNICAL SYMBOLOGY



IP

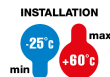
IP56

IK

IK08

GWT

650 °C



-25 +60 °C

HF
HALOGEN FREE

Halogen-free in compliance with EN 60754-2



STANDARDS/APPROVALS

