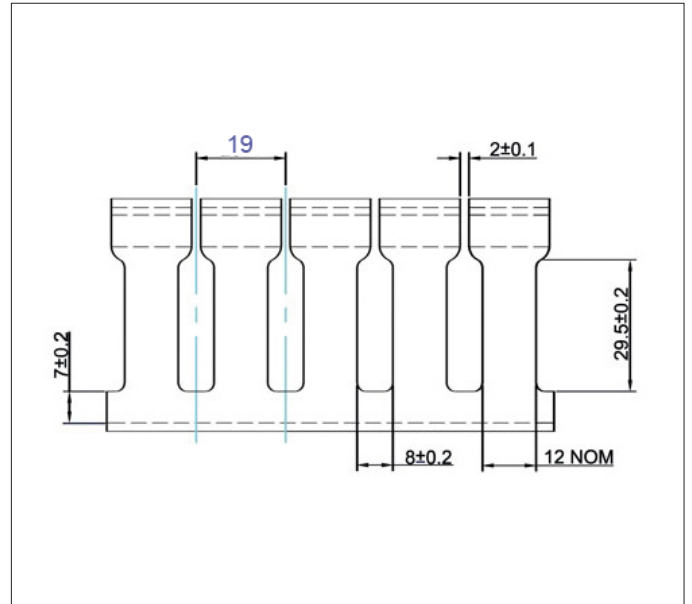


TECHNICAL SPECIFICATION • BETADUCT NORYL - OPEN SLOT



DESCRIPTION

The Noryl Betaduct range is free from toxic halogens, has excellent low smoke characteristics and high operating temperatures. Noryl Betaduct is recommended for areas when human life or electronic components are a risk. Available in open slot in 6 sizes with 19mm slot pitching and 8mm slot width. Recommended fixing method; Betaduct rivets and washers.

APPLICATION

For use when bundles, cables and wires need supporting in control panels, distribution boards and switchgear. Designed and specified for installations in hazardous applications such as rail, underground, marine, mass transit and military applications. Widely used in petrochemical plants and off shore oil and gas installations and accommodation modules.

SPECIFICATION

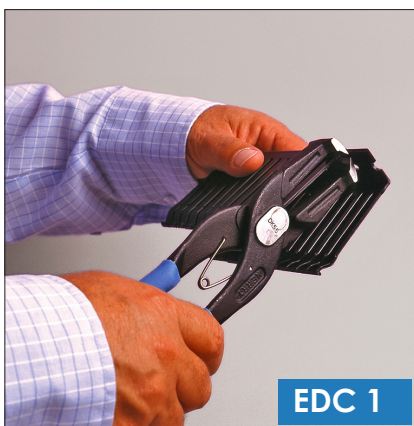
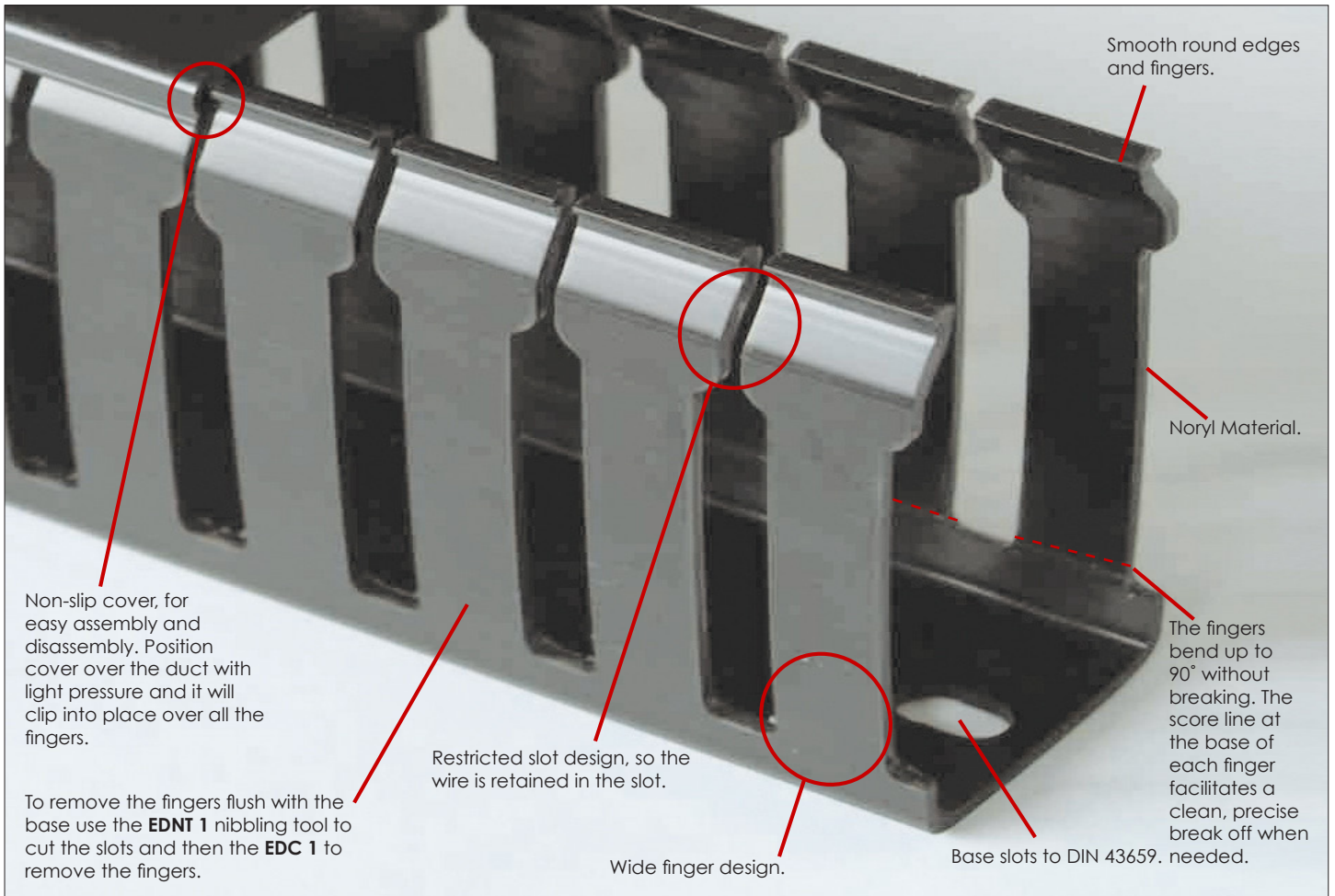
| | |
|-----------------------------------|--|
| Material: | Self-Extinguishing, Noryl Extra, Halogen-Free |
| Colour Options: | Black |
| Service Temperature Range: | -30°C to +120°C |
| Flammability: | UL94 V-0 Rated Material BS 476 Part 7 Class I (Y) |
| Standards: | UL and Lloyds Register Base slots to DIN 43659. |

PART NUMBERS & SIZES

| PART NO. | NOMINAL SIZE INNER (WxH) mm | NOMINAL SIZE OUTER (WxH) mm | PACK QTY (METRES) |
|--------------|-----------------------------|-----------------------------|-------------------|
| 23461 | 25 x 37.5 | 29 x 38 | 24 |
| 23462 | 25 x 50 | 29 x 54 | 24 |
| 23463 | 25 x 75 | 29 x 79 | 16 |
| 23464 | 50 x 50 | 54 x 54 | 16 |
| 23465 | 50 x 75 | 54 x 79 | 16 |
| 23466 | 75 x 75 | 80 x 80 | 16 |



TECHNICAL SPECIFICATION • BETADUCT NORYL - OPEN SLOT



| FEATURES | BENEFITS |
|---|--|
| UL Approved Noryl Material | Free from toxic halogens, has excellent low smoke characteristics and high operating temperatures. |
| Wide finger design | To give additional cable support. The wide fingers can be used with a range of wire and bundle sizes. |
| Restricted slot design | Saves time during installation, once wires are installed they will remain in the slot with or without cover. |
| Base slots to DIN 43659 | Staggered mounting holes, conforms to DIN Standard. |
| Non-slip cover | Once installed lid will not slip. Easy clip-on assembly and disassembly. |
| Score line at base of each slot | To facilitate a clean, precise break off. |
| Smooth round edges | Free from burrs or sharp edges that could lead to abrasions on hands and cables. |
| Associated cutting tools: EDNT 1, EDC 1. | For clean, precise cutting of trunking fingers. |

BETADUCT CAPACITY CHART

| TRUNKING SIZE Width x Height mm | CROSS SECTIONAL AREA mm ² | AT 55% PACKING DENSITY mm ² | CABLE CROSS SECTIONAL AREA (mm ²) TRI-RATED CABLE BS6231 | | | | | | | | | | | | | | |
|--|---|---|--|------|------|------|------|---------------------|------|-------|-------|-------|-------|-------|-------|-------|--|
| | | | 0.50 | 0.75 | 1.00 | 1.50 | 2.50 | 4.00 | 6.00 | 10.00 | 16.00 | 25.00 | 35.00 | 50.00 | 70.00 | 95.00 | |
| | | | | | | | | CABLE DIAMETER (mm) | | | | | | | | | |
| | | | 2.7 | 2.9 | 3.1 | 3.4 | 3.8 | 4.4 | 5.1 | 6.8 | 8.64 | 10.16 | 11.46 | 13.97 | 16.46 | 18.54 | |
| MAXIMUM NUMBER OF CABLES | | | | | | | | | | | | | | | | | |
| 15 x 15 | 225 | 123.75 | 21 | 18 | 16 | 13 | 10 | 8 | 6 | 3 | 2 | 1 | - | - | - | - | |
| 19 x 50 | 950 | 522.5 | 91 | 79 | 69 | 57 | 46 | 34 | 25 | 14 | 8 | 6 | 5 | 3 | 2 | 1 | |
| 25 x 20 | 500 | 275 | 48 | 41 | 36 | 30 | 24 | 18 | 13 | 7 | 4 | 3 | 2 | 1 | 1 | 1 | |
| 25 x 37.5 | 937.5 | 515.6 | 90 | 78 | 68 | 56 | 45 | 33 | 25 | 14 | 8 | 6 | 4 | 3 | 2 | 1 | |
| 25 x 50 | 1250 | 687.5 | 120 | 104 | 91 | 75 | 60 | 45 | 33 | 18 | 11 | 8 | 6 | 4 | 3 | 2 | |
| 25 x 75 | 1875 | 1031.25 | 180 | 156 | 136 | 113 | 90 | 67 | 50 | 28 | 17 | 12 | 9 | 6 | 4 | 3 | |
| 25 x 100 | 2500 | 1375 | 240 | 208 | 182 | 151 | 121 | 90 | 67 | 37 | 23 | 16 | 13 | 8 | 6 | 5 | |
| 37.5 x 37.5 | 1406 | 773.3 | 135 | 117 | 102 | 85 | 68 | 50 | 37 | 21 | 13 | 9 | 7 | 5 | 3 | 2 | |
| 37.5 x 50 | 1875 | 1031.25 | 180 | 156 | 136 | 113 | 90 | 67 | 50 | 28 | 17 | 12 | 9 | 6 | 4 | 3 | |
| 37.5 x 75 | 2813 | 1547.15 | 270 | 234 | 204 | 170 | 136 | 101 | 75 | 42 | 26 | 19 | 14 | 10 | 7 | 5 | |
| 37.5 x 100 | 3750 | 2062.5 | 360 | 312 | 273 | 227 | 181 | 135 | 100 | 56 | 35 | 25 | 19 | 13 | 9 | 7 | |
| 50 x 25 | 1250 | 687.5 | 120 | 104 | 91 | 75 | 60 | 45 | 33 | 18 | 11 | 8 | 6 | 4 | 3 | 2 | |
| 50 x 37.5 | 1875 | 1031.25 | 180 | 156 | 136 | 113 | 90 | 67 | 50 | 28 | 17 | 12 | 9 | 6 | 4 | 3 | |
| 50 x 50 | 2500 | 1375 | 240 | 208 | 182 | 151 | 121 | 90 | 67 | 37 | 23 | 16 | 13 | 8 | 6 | 5 | |
| 50 x 75 | 3750 | 2062.5 | 360 | 312 | 273 | 227 | 181 | 135 | 100 | 56 | 35 | 25 | 19 | 13 | 9 | 7 | |
| 50 x 100 | 5000 | 2750 | 480 | 416 | 364 | 303 | 242 | 180 | 134 | 75 | 46 | 33 | 26 | 17 | 12 | 10 | |
| 75 x 37.5 | 2813 | 1547.15 | 270 | 234 | 204 | 170 | 136 | 101 | 75 | 42 | 26 | 19 | 14 | 10 | 7 | 5 | |
| 75 x 50 | 3750 | 2062.5 | 360 | 312 | 273 | 273 | 181 | 135 | 100 | 56 | 35 | 25 | 19 | 13 | 9 | 7 | |
| 75 x 75 | 5625 | 3093.75 | 540 | 468 | 409 | 410 | 272 | 203 | 151 | 85 | 52 | 38 | 29 | 20 | 14 | 11 | |
| 75 x 100 | 7500 | 4125 | 720 | 624 | 546 | 547 | 363 | 271 | 201 | 113 | 70 | 50 | 39 | 26 | 19 | 15 | |
| 100 x 50 | 5000 | 2750 | 480 | 416 | 364 | 364 | 242 | 180 | 134 | 75 | 46 | 33 | 26 | 17 | 12 | 10 | |
| 100 x 75 | 7500 | 4125 | 720 | 624 | 546 | 454 | 363 | 271 | 201 | 113 | 70 | 50 | 39 | 26 | 19 | 15 | |
| 100 x 100 | 10000 | 5500 | 960 | 832 | 728 | 605 | 484 | 361 | 269 | 151 | 93 | 67 | 53 | 35 | 25 | 20 | |
| 100 x 125 | 12500 | 6875 | 1200 | 1040 | 910 | 757 | 606 | 452 | 336 | 189 | 117 | 84 | 66 | 44 | 32 | 25 | |
| 125 x 75 | 9375 | 5156.25 | 900 | 780 | 683 | 567 | 454 | 339 | 252 | 141 | 87 | 63 | 49 | 33 | 24 | 19 | |