

### Main

Commercial Status	Commercialised
Range of product	Harmony XVP
Accessory / separate part designation	Threaded aluminium support tube with stainless steel fixing bracket
Accessory / separate part category	Mounting and fixing accessories
Accessory / separate part destination	Indicator bank Ø 50 mm

### Complementary

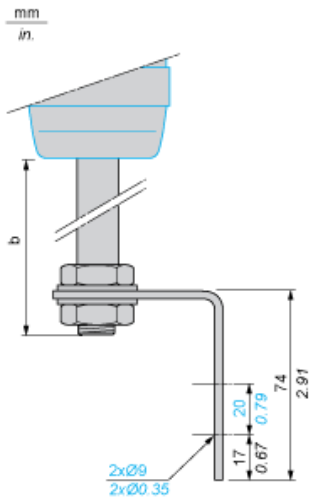
Accessory / separate part type	Support tube with bracket
Product compatibility	XVPC.
Colour	Aluminium
Height under base unit	387 mm
Product weight	0.386 kg

### Contractual warranty

Period	18 months
--------	-----------

The information provided in this documentation contains general descriptions and/or technical characteristics of the performance of the products contained herein. This documentation is not intended as a substitute for and is not to be used for determining suitability or reliability of these products for specific user applications. It is the duty of any such user or integrator to perform the appropriate and complete risk analysis, evaluation and testing of the products with respect to the relevant specific application or use thereof. Neither Schneider Electric Industries SAS nor any of its affiliates or subsidiaries shall be responsible or liable for misuse of the information contained herein.

Dimensions and Mounting



Height under base unit	
b in mm	b in in.
377	14.84