

Main

Commercial Status	Commercialised
Range of product	Harmony XVP
Accessory / separate part designation	Threaded aluminium support tube with stainless steel fixing bracket
Accessory / separate part category	Mounting and fixing accessories
Accessory / separate part destination	Indicator bank Ø 50 mm

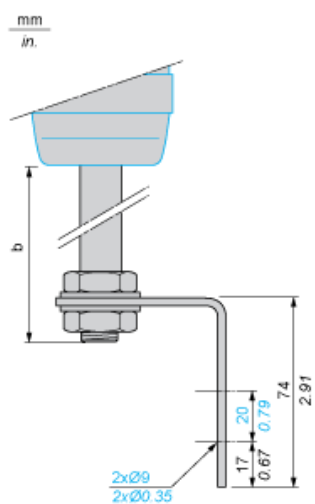
Complementary

Accessory / separate part type	Support tube with bracket
Product compatibility	XVPC.
Colour	Aluminium
Height under base unit	227 mm
Product weight	0.306 kg

Contractual warranty

Period	18 months
--------	-----------

Dimensions and Mounting



Height under base unit

b in mm

b in in.

227

8.94