



## Main

Commercial Status	Commercialised
Range of product	Harmony XB5R
Product or component type	Wireless and batteryless package
Device short name	XB5R
Head material	Plastic
Kit composition	1 plastic pushbutton, 1 receiver and 1 set of caps
Device composition	ZBA79 ZBRT1 Paired receiver ZB5AZ009 ZB5RZA0

## Complementary

Control type	Wireless and batteryless pushbutton Ø 22 mm assembled on fixing collar
Type of receiver	Non-programmable receiver (1 relay)
[Us] rated supply voltage	24 V DC

## Environment

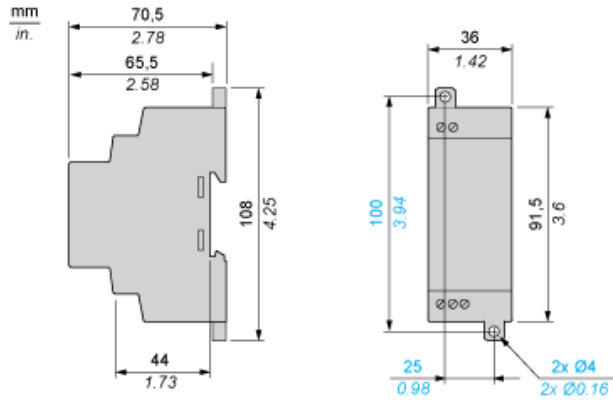
Product certifications	CCC CSA C-Tick GOST UL
Marking	CE
Standards	EN/IEC 60947-1 EN/IEC 60947-5-1 UL 508 CSA C22.2 No 14
Radio agreement	ANATEL SRRC FCC RSS ICASA ARIB T66

## Offer Sustainability

Sustainable offer status	Green Premium product
RoHS	Compliant - since 1028 - <a href="#">Schneider Electric declaration of conformity</a>
REACH	Reference not containing SVHC above the threshold
Product environmental profile	Available <a href="#">Download Product Environmental</a>
Product end of life instructions	Available <a href="#">Download End Of Life Manual</a>

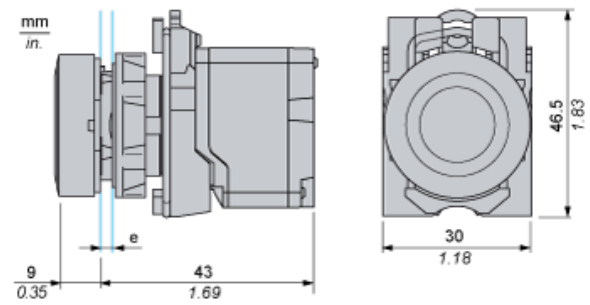
The information provided in this documentation contains general descriptions and/or technical characteristics of the performance of the products contained herein. This documentation is not intended as a substitute for and is not to be used for determining suitability or reliability of these products for specific user applications. It is the duty of any such user or integrator to perform the appropriate and complete risk analysis, evaluation and testing of the products with respect to the relevant specific application or use thereof. Neither Schneider Electric Industries SAS nor any of its affiliates or subsidiaries shall be responsible or liable for misuse of the information contained herein.

Non-Programmable Receiver



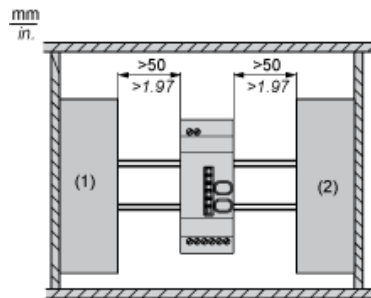
Wireless and Batteryless Pushbutton - Transmitter

With Plastic Pushbutton and Cap



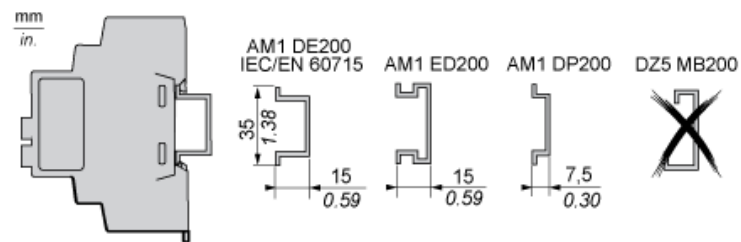
e: panel thickness 1 to 6 mm / 0.039 to 0.24 in.

Receiver Clearance



- (1) Drive
- (2) Power Supply or PLC

Receiver Mounting

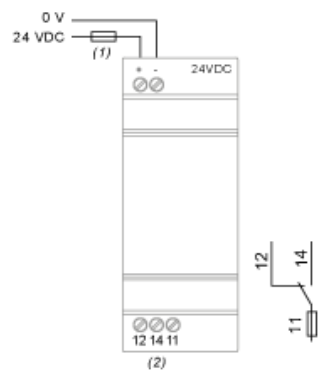


---

Non-Programmable Receiver

---

Wiring Diagram



- (1) 125 mA fast-blow fuse
- (2)  $I_{max} = 3 \text{ A}$