

XACB12

empty pendant control station XAC-B - 12
openings in 2 columns

Main

| | |
|-----------------------------|--|
| Commercial Status | Commercialised |
| Range of product | Harmony XAC |
| Product or component type | Pendant control station |
| Control station name | XACB |
| Control station type | Double insulated |
| Enclosure material | Glass reinforced polyester |
| Electrical circuit type | Control circuit Power circuit |
| Enclosure type | Empty enclosure |
| Number of cut-out | 12 cut-outs in 2 rows |
| Cable entry | Rubber sleeve with stepped entry, cable outer diameter: 10...22 mm |
| Guard rail | Without |
| Cutout in base of enclosure | Without |

Complementary

| | |
|----------------------------------|----------------|
| Control station colour | Yellow |
| Vertical operator cut-out centre | 40 mm |
| Mechanical durability | 1000000 cycles |
| Product weight | 1.46 kg |

Environment

| | |
|--|---|
| Standards | CSA C22-2 No 14 EN/IEC 60947-5-1 UL 508 |
| Product certifications | CSA type 4 |
| Protective treatment | TH |
| Ambient air temperature for operation | -25...70 °C |
| Ambient air temperature for storage | -40...70 °C |
| Vibration resistance | 15 gn (f = 10...500 Hz) conforming to IEC 60068-2-6 |
| Shock resistance | 100 gn conforming to IEC 60068-2-27 |
| Class of protection against electric shock | Class II conforming to IEC 61140 |
| IP degree of protection | IP65 conforming to IEC 60529 |
| IK degree of protection | IK08 conforming to EN 50102 |

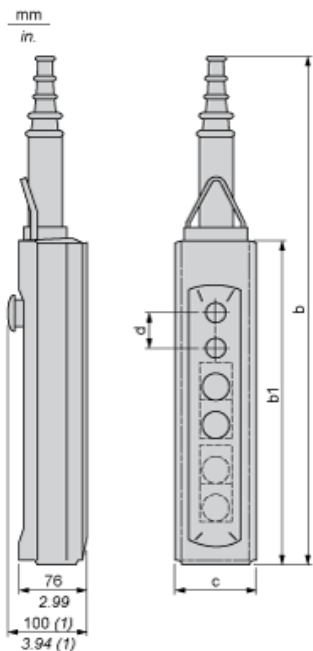
Contractual warranty

| | |
|--------|-----------|
| Period | 18 months |
|--------|-----------|

The information provided in this documentation contains general descriptions and/or technical characteristics of the performance of the products contained herein. This documentation is not intended as a substitute for and is not to be used for determining suitability or reliability of these products for specific user applications. It is the duty of any such user or integrator to perform the appropriate and complete risk analysis, evaluation and testing of the products with respect to the relevant specific application or use thereof. Neither Schneider Electric Industries SAS nor any of its affiliates or subsidiaries shall be responsible or liable for misuse of the information contained herein.

Dimensions

Below drawing shows a product with 6 cut-outs. Select the number of cut-outs according to the product characteristics in order to get b, b1 and c dimensions.



(1) With mushroom head operator

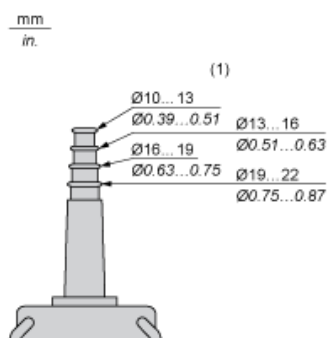
Dimensions in mm

| Number of cut-outs | 2 | 4 | 6 | 8 | 12 |
|--------------------|-----|-----|-----|-----|-----|
| b | 409 | 499 | 589 | 679 | 679 |
| b1 | 220 | 310 | 400 | 490 | 490 |
| c | 98 | 98 | 98 | 98 | 98 |
| d | 40 | 40 | 40 | 40 | 30 |

Dimensions in in.

| Number of cut-outs | 2 | 4 | 6 | 8 | 12 |
|--------------------|-------|-------|-------|-------|-------|
| b | 16.10 | 19.64 | 23.19 | 26.73 | 26.73 |
| b1 | 8.66 | 12.20 | 15.75 | 19.29 | 19.29 |
| c | 3.86 | 3.86 | 3.86 | 3.86 | 3.86 |
| d | 1.57 | 1.57 | 1.57 | 1.57 | 1.18 |

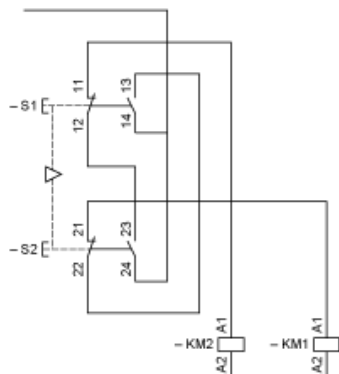
Protective cable sleeves



(1) Internal Ø

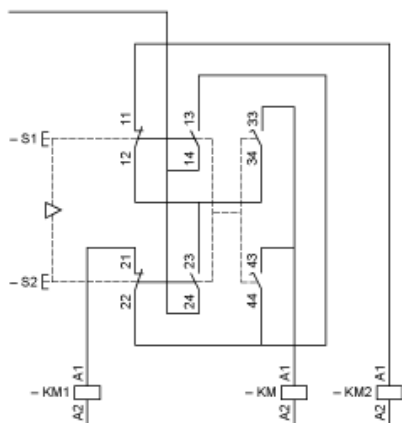
Control of Single-Speed Reversing Motor

With XESD1181 contact block, to be ordered separately



Control of 2-Speed Reversing Motor

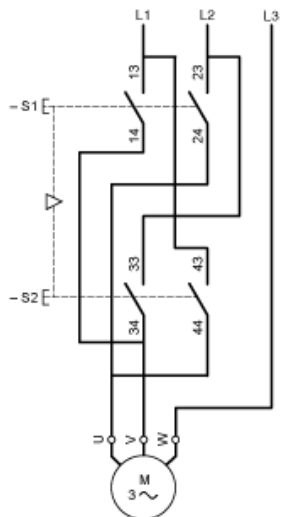
With XESD1281 contact block, to be ordered separately



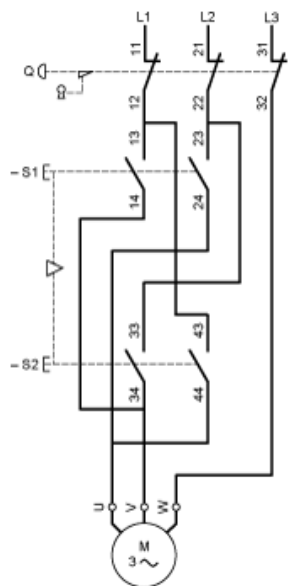
KM High speed contactor

Control of Single-Speed Reversing Motor 2-Phase Switching

With XESD1191 contact block, to be ordered separately

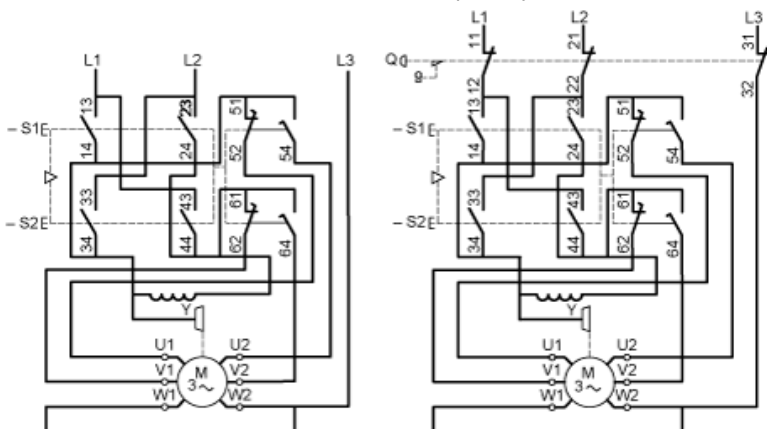


Combined with 3-pole isolating block XACS399 or XACS3991, shown in the unoperated position (pendant station “supplied”), fitted with key release trigger action latching Emergency stop operator.



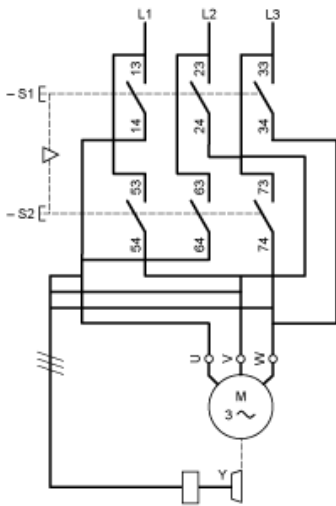
Control of 2-Speed Reversing Motor 2-Phase Switching

With XESD1291 contact block, to be ordered separately



Control of Single-Speed Reversing Motor 3-Phase switching, Reversing by 2-Phase Inversion

With XESD2201 contact block, to be ordered separately



Control of Single-Speed Reversing Motor 3-Phase switching, Reversing by 2-Phase Inversion

With XESD2241 contact block, to be ordered separately

