

Main

Commercial Status	Commercialised
Range of product	Harmony XAC
Product or component type	Pendant control station
Control station name	XACA
Control station type	Double insulated
Enclosure material	Polypropylene
Electrical circuit type	Control circuit
Enclosure type	Complete ready for use
Control station application	Control of single speed hoist motor
Control station composition	4 pushbuttons
Control button type	Third pushbutton 1 NO right, slow Second pushbutton 1 NO lower, slow Fourth pushbutton 1 NO left, slow First pushbutton 1 NO raise, slow
Contact block name	ZB2BE101 for each direction
Mechanical interlocking	With mechanical interlocking between pairs

Complementary

Control station colour	Yellow
Connections - terminals	Screw clamp terminals, connection capacity: 1 x 0.5...2 x 1.5 mm ² with cable end Screw clamp terminals, connection capacity: 1 x 0.5...1 x 2.5 mm ² without cable end
Mechanical durability	1000000 cycles
Cable entry	Rubber sleeve with stepped entry, cable outer diameter: 8...26 mm
Contact code designation	Q600 DC-13, U _e = 600 V, I _e = 0.1 A conforming to IEC 60947-5-1 appendix A Q600 DC-13, U _e = 250 V, I _e = 0.27 A conforming to IEC 60947-5-1 appendix A A600 AC-15, U _e = 600 V, I _e = 1.2 A conforming to IEC 60947-5-1 appendix A A600 AC-15, U _e = 240 V, I _e = 3 A conforming to IEC 60947-5-1 appendix A
[I _{th} e] conventional enclosed thermal current	10 A
[U _i] rated insulation voltage	600 V (degree of pollution: 3)
[U _{imp}] rated impulse withstand voltage	6 kV conforming to IEC 60947-1
Contacts operation	Slow-break
Resistance across terminals	<= 25 MOhm
Operating force	10 N for pushbutton
Short circuit protection	10 A fuse protection by cartridge fuse type gG
Rated operational power in W	65 W DC-13 for 1000000 cycles, operating rate = 60 cyc/mn at 24 V, load factor = 0.5 (inductive load) conforming to IEC 60947-5-1 appendix C 48 W DC-13 for 1000000 cycles, operating rate = 60 cyc/mn at 48 V, load factor = 0.5 (inductive load) conforming to IEC 60947-5-1 appendix C 40 W DC-13 for 1000000 cycles, operating rate = 60 cyc/mn at 120 V, load factor = 0.5 (inductive load) conforming to IEC 60947-5-1 appendix C
Terminals description ISO n°1	(13-14)NO
Terminal identifier	(11-12)NC (13-14)NO
Product weight	0.625 kg

Environment

Standards	CSA C22-2 No 14 EN/IEC 60204-32 EN/IEC 60947-5-1 UL 508
Product certifications	CCC GOST
Protective treatment	TH
Ambient air temperature for operation	-25...70 °C
Ambient air temperature for storage	-40...70 °C
Vibration resistance	15 gn (f = 10...500 Hz) conforming to IEC 60068-2-6
Shock resistance	100 gn conforming to IEC 60068-2-27
Class of protection against electric shock	Class II conforming to IEC 61140
IP degree of protection	IP65 conforming to IEC 60529
IK degree of protection	IK08 conforming to EN 50102

Contractual warranty

Period	18 months
--------	-----------

Dimensions

Below drawing shows a product with 6 cut-outs. Select the number of cut-outs according to the product characteristics in order to get b, b1 and c dimensions.



- (1) For 2 and 3-way XAC A stations.
- (2) For 4 to 8-way XAC A stations.
- (3) With trigger action Emergency stop head operator
- (4) Internal \varnothing

Dimensions in mm

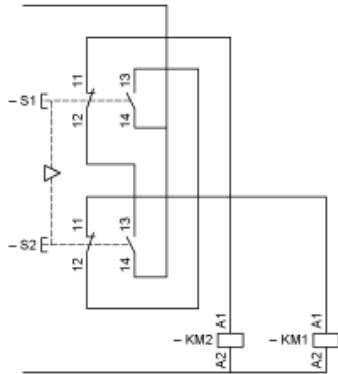
Number of cut-outs	2	3	4	5	6	8	12
b	314	314	440	440	500	560	680
b1	190	190	250	250	310	370	490
c	80	80	80	80	80	80	92

Dimensions in in.

Number of cut-outs	2	3	4	5	6	8	12
b	12.36	12.36	17.32	17.32	19.68	22.05	26.77
b1	7.48	7.48	9.84	9.84	12.20	14.57	19.29
c	3.15	3.15	3.15	3.15	3.15	3.15	3.62

Control of Single-Speed Reversing Motor

With ZBE2BE101 + ZB2BE102 contacts blocks, to be ordered separately



Rated Operational Power

AC Supply 50/60 Hz Inductive Circuit

Operating rate: 3600 operating cycles/hour. Load factor: 0.5.

Millions of operating cycles, AC-15 utilization category



I_{the} Thermal current
(A) Current

DC Supply

Operating rate: 3600 operating cycles/hour. Load factor: 0.5.

Power broken in W for 1 million operating cycles, DC-13 utilization category

Voltage	V	24	48	120
Inductive circuit	W	65	48	40