



Main

| | |
|-----------------------------|---|
| Commercial Status | Commercialised |
| Range of product | Harmony XALD |
| Product or component type | Complete control station |
| Device short name | XALD |
| Product destination | For XB5 Ø 22 mm control and signalling units |
| Control station application | Start-Stop function |
| Colour of base of enclosure | Light grey RAL 7035 |
| Colour of cover | Dark grey RAL 7016 |
| Material | Polycarbonate |
| Operator profile | 2 flush pushbuttons |
| Operators description | Green "START" 1 NO - red "STOP" 1 NC |
| Control station composition | 1 flush pushbutton red 1 NC STOP marking 1 flush pushbutton green 1 NO START marking |
| Marking location | Marking on legend holder |
| Contacts operation | Slow-break |

Complementary

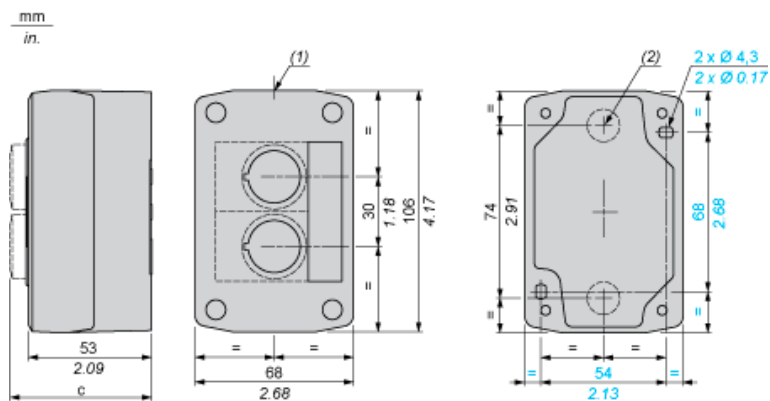
| | |
|--|--|
| Cable entry | 2 knock-outs for Pg 13 cable gland and ISO M20, clamping capacity: <= 12 mm 2 knock-outs for cable entry, clamping capacity: <= 14 mm |
| Product weight | 0.233 kg |
| Resistance to high pressure washer | 7000000 Pa at 55 °C, distance: 0.1 m |
| Positive opening | With conforming to EN/IEC 60947-5-1 appendix K |
| Operating travel | 4.3 mm (total travel) 2.6 mm (NO changing electrical state) 1.5 mm (NC changing electrical state) |
| Operating force | 3.8 N (NO changing electrical state) 3.5 N (NC changing electrical state) |
| Mechanical durability | 5000000 cycles |
| Connections - terminals | Screw clamp terminals: >= 1 x 0.22 mm ² without cable end conforming to EN/IEC 60947-1 Screw clamp terminals: <= 2 x 1.5 mm ² with cable end conforming to EN/IEC 60947-1 |
| Tightening torque | 0.8...1.2 N.m conforming to EN/IEC 60947-1 |
| Shape of screw head | Slotted, flat Ø 5.5 mm Slotted, flat Ø 4 mm Cross, pozidriv No 1 Cross, Philips no 1 |
| Contacts material | Silver alloy (Ag/Ni) |
| Short circuit protection | 10 A by gG cartridge fuse conforming to EN/IEC 60947-5-1 |
| [I _{th}] conventional free air thermal current | 10 A conforming to EN/IEC 60947-5-1 |
| [U _i] rated insulation voltage | 600 V (degree of pollution: 3) conforming to EN/IEC 60947-1 |
| [U _{imp}] rated impulse withstand voltage | 6 kV conforming to EN/IEC 60947-1 |
| [I _e] rated operational current | DC-13, Q600: U _e = 600 V I _e = 0.1 A conforming to EN/IEC 60947-5-1 DC-13, Q600: U _e = 250 V I _e = 0.27 A conforming to EN/IEC 60947-5-1 DC-13, Q600: U _e = 125 V I _e = 0.55 A conforming to EN/IEC 60947-5-1 AC-15, A600: U _e = 600 V I _e = 1.2 A conforming to EN/IEC 60947-5-1 AC-15, A600: U _e = 240 V I _e = 3 A conforming to EN/IEC 60947-5-1 AC-15, A600: U _e = 120 V I _e = 6 A conforming to EN/IEC 60947-5-1 |

| | |
|--------------------------------------|--|
| Electrical durability | 1000000 cycles DC-13, 0.5 A at 24 V, operating rate: 3600 cyc/h, load factor: 0.5 conforming to EN/IEC 60947-5-1 appendix C 1000000 cycles DC-13, 0.2 A at 110 V, operating rate: 3600 cyc/h, load factor: 0.5 conforming to EN/IEC 60947-5-1 appendix C 1000000 cycles AC-15, 4 A at 24 V, operating rate: 3600 cyc/h, load factor: 0.5 conforming to EN/IEC 60947-5-1 appendix C 1000000 cycles AC-15, 3 A at 120 V, operating rate: 3600 cyc/h, load factor: 0.5 conforming to EN/IEC 60947-5-1 appendix C 1000000 cycles AC-15, 2 A at 230 V, operating rate: 3600 cyc/h, load factor: 0.5 conforming to EN/IEC 60947-5-1 appendix C |
| Electrical reliability IEC 60947-5-4 | $\Lambda < 10\exp(-8)$ at 17 V, 5 mA conforming to EN/IEC 60947-5-4 $\Lambda < 10\exp(-6)$ at 5 V, 1 mA conforming to EN/IEC 60947-5-4 |

Environment

| | |
|--|--|
| Protective treatment | TH |
| Ambient air temperature for storage | -40...70 °C |
| Ambient air temperature for operation | -25...70 °C |
| Class of protection against electric shock | Class II conforming to IEC 60536 |
| IP degree of protection | IP65 conforming to IEC 60529 |
| NEMA degree of protection | NEMA 4X NEMA 13 |
| IK degree of protection | IK03 conforming to EN 50102 |
| Standards | EN/IEC 60947-1 EN/IEC 60947-5-1 EN/IEC 60947-5-4 EN/IEC 60947-5-5 JIS C 4520 UL 508 CSA C22.2 No 14 |
| Product certifications | CSA UL listed |
| Vibration resistance | 5 gn (12...500 Hz) conforming to IEC 60068-2-6 |
| Shock resistance | 50 gn for 11 ms half sine wave acceleration conforming to IEC 60068-2-27 30 gn for 18 ms half sine wave acceleration conforming to IEC 60068-2-27 |

Dimensions



- (1) 2 knock-outs for Pg 13.5 cable gland, maximum capacity 12 mm/0.47 in.
 (2) Knock-out for cable entry, maximum capacity 14 mm/0.55 in.

| Control station fitted with: | c in mm | c in in. |
|---|---------|----------|
| Flush pushbutton | 62 | 2.44 |
| Pilot light | 64 | 2.52 |
| Illuminated pushbutton | 65.5 | 2.58 |
| Projecting pushbutton | 66 | 2.60 |
| Selector switch | 80 | 3.15 |
| Mushroom head pushbutton | 91.5 | 3.58 |
| Latching mushroom head Emergency stop pushbutton with key | 115 | 4.53 |
| Key switch | 105.5 | 4.15 |