



### Main

Range of product	Harmony 9001K
Product or component type	Head for spring return pushbutton
Device short name	9001K
Operator profile	Flush, marking: unmarked
Operator additional information	Set of 7 color caps

### Complementary

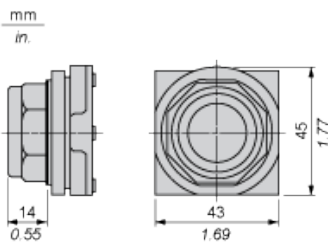
Mounting diameter	30 mm
Shape of signaling unit head	Round
Type of operator	Spring return
Product weight	0.087 kg

### Environment

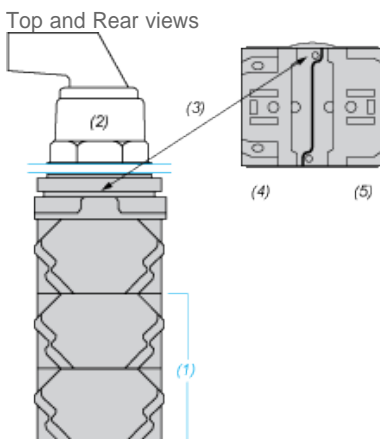
#### Offer Sustainability

Sustainable offer status	785901874706
RoHS	Compliant - since 0921 - Schneider Electric declaration of conformity
REACH	Reference not containing SVHC above the threshold

### Dimensions



### Contact Block Mounting Position



The information provided in this documentation contains general descriptions and/or technical characteristics of the performance of the products contained herein. This documentation is not intended as a substitute for and is not to be used for determining suitability or reliability of these products for specific user applications. It is the duty of any such user or integrator to perform the appropriate and complete risk analysis, evaluation and testing of the products with respect to the relevant specific application or use thereof. Neither Schneider Electric Industries SAS nor any of its affiliates or subsidiaries shall be responsible or liable for misuse of the information contained herein.

- (1) It is possible to mount up to 3 levels of contacts blocks (maximum of 6 contacts blocks)
- (2) Operator
- (3) Locating notch
- (4) Side 1
- (5) Side 2