

XBTRT511

small panel touchscreen+keypad - matrix screen - G-O-R - 198 x 80 pixels - 24VDC



Main

Range of product	Magelis XBTRT
Display resolution	198 x 80 pixels
Software type	Configuration software
Software designation	Vijeo Designer Lite
Operating system	Windows

Complementary

Display type	Extra-bright matrix backlit LCD
Touch panel	Matrix
Touch sensitive zone	11 x 5 cells
Character font	Chinese (simplified Chinese) Cyrillic Greek Katakana Latin
Supply voltage limits	18...30 V
Residual ripple	<= 1200 MV
Power consumption in W	<= 5 W
Number of key	12
Number of fixed keys	2
Number of customisable keys	10
Local signalling	1 buzzer 13 LEDs
Number of pages	200 application pages 256 alarm pages
Memory type	Flash
Memory capacity	512 kB
Integrated connection type	Serial link : female RJ45, asynchronous transmission mode (RS232C/RS485) multidrop topology Power supply : removable screw terminal block Printer port : 8-way female mini DIN
Realtime clock	Access to the PLC real-time clock
Range compatibility	Modicon M340 Modicon Momentum Modicon Premium Modicon Quantum Modicon TSX Micro Twido
Product mounting	Flush mounting
Fixing mode	By 4 spring clips on 1.5 to 6 mm thick panel
Display material	Polyester
Front material	PPT
Keypad material	Polyester
Marking	CE
Height	118 mm
Width	137 mm
Depth	79 mm
Cut-out dimensions	119.6 (+/- 0.5) x 105.2 (+/- 0.4) mm

The information provided in this documentation contains general descriptions and/or technical characteristics of the performance of the products contained herein. This documentation is not intended as a substitute for and is not to be used for determining suitability or reliability of these products for specific user applications. It is the duty of any such user or integrator to perform the appropriate and complete risk analysis, evaluation and testing of the products with respect to the relevant specific application or use thereof. Neither Schneider Electric Industries SAS nor any of its affiliates or subsidiaries shall be responsible or liable for misuse of the information contained herein.

Product weight 0.55 kg

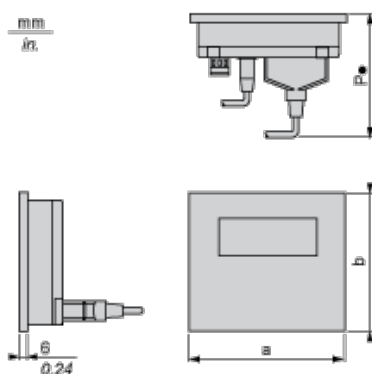
Environment

product or component type	Small panel with touchscreen and keypad
display colour	Green Orange Red
messages display capacity	10 lines of 33 characters maximum 2 lines of 5 characters minimum Graphic objects (bargraph, button, light...)
[Us] rated supply voltage	24 V DC
supply	External source
downloadable protocols	Modbus Third party protocols Uni-TE
standards	IEC 60068-2-27 IEC 60068-2-6 IEC 61131-2 UL 508 CSA C22.2 No 14
product certifications	ATEX zone 2/22 CSA Class 1 Division 2 UL Class 1 Division 2 UL 1604
ambient air temperature for operation	0...55 °C
ambient air temperature for storage	-20...60 °C
relative humidity	0...85 % without condensation
IP degree of protection	IP20 (rear panel) conforming to IEC 60529 IP65 (front panel) conforming to IEC 60529
NEMA degree of protection	NEMA 4X (front panel) for indoor use
shock resistance	15 gn for 11 ms conforming to IEC 60068-2-27
vibration resistance	+/- 3.5 mm (f = 2...8.45 Hz) conforming to IEC 60068-2-6 1 gn (f = 8.45...150 Hz) conforming to IEC 60068-2-6
resistance to electromagnetic fields	10 V/m conforming to IEC 61000-4-3

Offer Sustainability

Sustainable offer status	Not Green Premium product
RoHS (date code: YYWW)	Compliant - since 0823 - Schneider Electric declaration of conformity
REACH	Reference not containing SVHC above the threshold

Dimensions

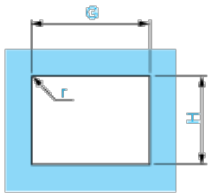


a		a1 (1)		b		b1 (1)		P1 (2)		P2 (3)		P3 (4)		P4 (5)	
mm	in.	mm	in.	mm	in.	mm	in.	mm	in.	mm	in.	mm	in.	mm	in.
137	5.39	160	6.29	118	5	146	6	79	3.11	104	4.09	58	2.28	104	4.09

(1) With fixing clips (included with product)

- (2) P1: depth with RJ45 cable XBTZ9780 (for Twido, TSX Micro and Premium)
- (3) P2: depth with 25-way SUB-D cable XBTZ938 (for TeSys model U and ATV 61/71 drives)
- (4) P3: depth with 25-way SUB-D angled cable XBTZ9680 (for Twido, TSX Micro and Premium) or XBTZ998 (for Modicon STB)
- (5) P4: depth with 25-way SUB-D cable XBTZ68/Z9681(for Twido, TSX Micro and Premium)

Cut-out for Flush Mounting



Panel thickness = 1.5...6 mm / 0.05...0.23 in.

H		G		r max.	
±0.4 mm	±0.02 in.	±0.5 mm	±0.02 in.	mm	in.
105.2	4.14	119.6	5	1.5	0.05