

## XBTR400

small panel with keypad - matrix screen - green - 122 x 32 pixels - 5 V DC



### Main

|                      |                        |
|----------------------|------------------------|
| Range of product     | Magelis XBTR           |
| Display resolution   | 122 x 32 pixels        |
| Software type        | Configuration software |
| Software designation | Vijeo Designer Lite    |
| Operating system     | Windows                |

### Complementary

|                             |  |
|-----------------------------|--|
| Display type                | Matrix backlit LCD   |
| Character font              | Chinese (simplified Chinese)<br>Cyrillic<br>Greek<br>Katakana<br>Latin                           |
| Number of key               | 20   |
| Number of fixed keys        | 8  |
| Number of customisable keys | 12   |
| Number of pages             | 200 application pages<br>256 alarm pages   |
| Memory type                 | Flash  |
| Memory capacity             | 512 kB   |
| Integrated connection type  | Serial link : female RJ45, asynchronous transmission mode (RS232C/RS485) point-to-point topology |
| Realtime clock              | Access to the PLC real-time clock  |
| Range compatibility         | Modicon M340<br>Modicon Premium<br>Modicon TSX Micro<br>Twido                                    |
| Product mounting            | Flush mounting   |
| Fixing mode                 | By 4 spring clips  |
| Display material            | Polyester  |
| Front material              | PPT  |
| Keypad material             | Polyester  |
| Marking                     | CE   |
| Height                      | 118 mm   |
| Width                       | 137 mm   |
| Depth                       | 78 mm  |
| Cut-out dimensions          | 119.6 (+/- 0.5) x 105.2 (+/- 0.4) mm   |
| Product weight              | 0.55 kg  |

### Environment

|                           |  |
|---------------------------|--|
| product or component type | Small panel with keypad  |
| display colour            | Green  |
| messages display capacity | 1 line of 5 characters minimum<br>4 lines of 20 characters maximum |
| [Us] rated supply voltage | 5 V DC   |
| supply                    | From PLC (terminal port)   |

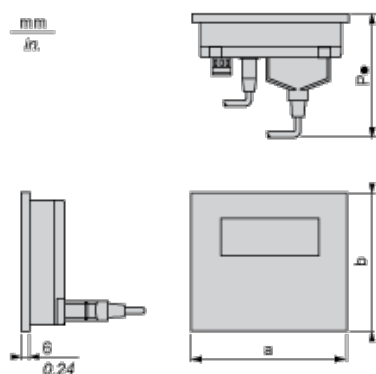
The information provided in this documentation contains general descriptions and/or technical characteristics of the performance of the products contained herein. This documentation is not intended as a substitute for and is not to be used for determining suitability or reliability of these products for specific user applications. It is the duty of any such user or integrator to perform the appropriate and complete risk analysis, evaluation and testing of the products with respect to the relevant specific application or use thereof. Neither Schneider Electric Industries SAS nor any of its affiliates or subsidiaries shall be responsible or liable for misuse of the information contained herein.

|                                       |   |
|---------------------------------------|---|
| downloadable protocols                | Modbus<br>Uni-TE  |
| standards                             | IEC 60068-2-27<br>IEC 60068-2-6<br>IEC 61131-2<br>UL 508<br>CSA C22.2 No 14             |
| product certifications                | ATEX zone 2/22<br>CSA Class 1 Division 2<br>UL Class 1 Division 2<br>UL 1604            |
| ambient air temperature for operation | 0...55 °C   |
| ambient air temperature for storage   | -20...60 °C   |
| relative humidity                     | 0...85 % without condensation   |
| IP degree of protection               | IP20 (rear panel) conforming to IEC 60529<br>IP65 (front panel) conforming to IEC 60529 |
| NEMA degree of protection             | NEMA 4X (front panel) for outdoor use   |
| shock resistance                      | 15 gn for 11 ms   |
| vibration resistance                  | +/- 3.5 mm (f = 2...8.45 Hz)<br>1 gn (f = 8.45...150 Hz)                                |

## Offer Sustainability

|                          |   |
|--------------------------|---|
| Sustainable offer status | Not Green Premium product   |
| RoHS (date code: YYWW)   | Compliant - since 0651 - Schneider Electric declaration of conformity |
| REACH                    | Reference not containing SVHC above the threshold                     |

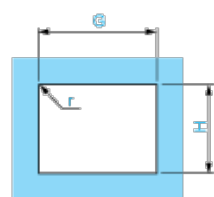
## Dimensions



| a   |      | a1 (1) |      | b   |     | b1 (1) |     | P1 (2) |      |
|-----|------|--------|------|-----|-----|--------|-----|--------|------|
| mm  | in.  | mm     | in.  | mm  | in. | mm     | in. | mm     | in.  |
| 137 | 5.39 | 160    | 6.29 | 118 | 5   | 146    | 6   | 78     | 3.07 |

(1) With fixing clips (included with product)  
(2) P1: depth with RJ45 cable XBTZ9780 (for Twido, TSX Micro and Premium)

## Cut-out for Flush Mounting



Panel thickness = 1.5...6 mm / 0.05...0.23 in.

| H | G | r max. |
|---|---|--------|
|---|---|--------|

| $\pm 0.4$ mm | $\pm 0.02$ in. | $\pm 0.5$ mm | $\pm 0.02$ in. | mm  | in.  |
|--------------|----------------|--------------|----------------|-----|------|
| 105.2        | 4.14           | 119.6        | 5              | 1.5 | 0.05 |