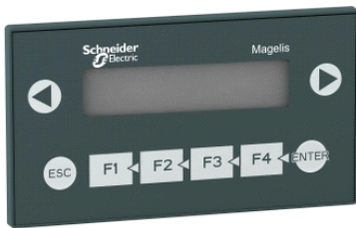


XBTN200

small panel with keypad - with alphanumeric screen - green - 5 V



Main

Range of product	Magelis XBTN
Product or component type	Small panel with keypad
Software type	Configuration software
Software designation	Vijeo Designer Lite
Operating system	Magelis

Complementary

Display type	Extra-bright alphanumeric backlit LCD
Display colour	Green
Character font	ASCII Katakana
[Us] rated supply voltage	5 V DC
Supply	From PLC (terminal port)
Number of key	8
Number of fixed keys	4
Number of customisable keys	4
Number of pages	128 application pages
Memory type	Flash
Memory capacity	512 kB
Integrated connection type	Serial link : female RJ45, asynchronous transmission mode (RS232C/RS485), point-to-point topology
Realtime clock	Access to the PLC real-time clock
Product mounting	Flush mounting
Fixing mode	By 2 spring clips
Display material	Polyester
Front material	PPT
Keypad material	Polyester
Marking	CE
Width	132 mm
Height	74 mm
Depth	43 mm
Cut-out dimensions	119.4 (+/- 0.5) x 63 (+/- 0.4) mm
Product weight	0.36 kg

Environment

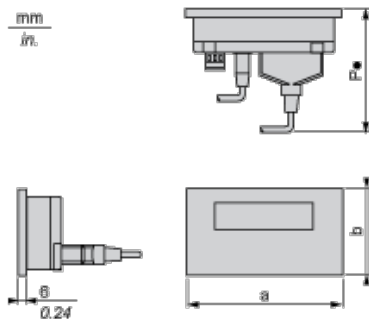
messages display capacity	2 lines of 20 characters
downloadable protocols	Modbus Uni-TE
standards	IEC 60068-2-27 IEC 60068-2-6 IEC 61131-2 UL 508 CSA C22.2 No 14
product certifications	ATEX zone 2/22 CSA Class 1 Division 2 UL Class 1 Division 2

The information provided in this documentation contains general descriptions and/or technical characteristics of the products contained herein. This documentation is not intended as a substitute for and is not to be used for determining suitability or reliability of these products for specific user applications. It is the duty of any such user or integrator to perform the appropriate and complete risk analysis, evaluation and testing of the products with respect to the relevant specific application or use thereof. Neither Schneider Electric Industries SAS nor any of its affiliates or subsidiaries shall be responsible or liable for misuse of the information contained herein.

UL 1604

ambient air temperature for operation	0...55 °C
ambient air temperature for storage	-20...60 °C
relative humidity	0...85 % without condensation
IP degree of protection	IP20 (rear panel) conforming to IEC 60529 IP65 (front panel) conforming to IEC 60529
NEMA degree of protection	NEMA 4X front panel (outdoor use)
shock resistance	15 gn for 11 ms
vibration resistance	+/- 3.5 mm (f = 2...8.45 Hz) 1 gn (f = 8.45...150 Hz)

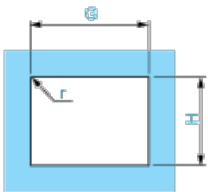
Dimensions



a		b		b1 (1)		P1 (2)	
mm	in.	mm	in.	mm	in.	mm	in.
132	5.19	74	3	104	4.09	78	3.07

(1) With fixing clips (included with product)
 (2) P1: depth with RJ45 cable XBTZ9780 (for Twido, TSX Micro and Premium)

Cut-out for Flush Mounting



Panel thickness = 1.5...6 mm / 0.05...0.23 in.

H		G		r max.	
±0.4 mm	±0.02 in.	±0.5 mm	±0.02 in.	mm	in.
63	2.48	119.4	5	1.5	0.05