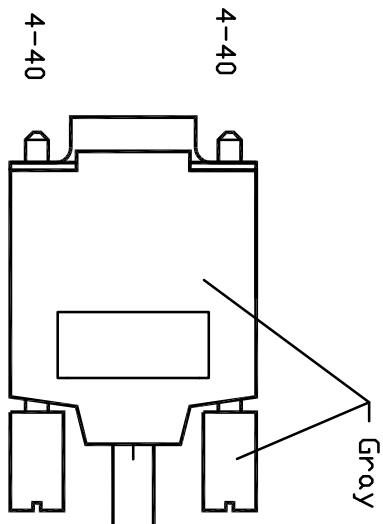
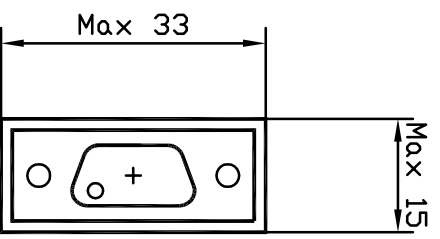


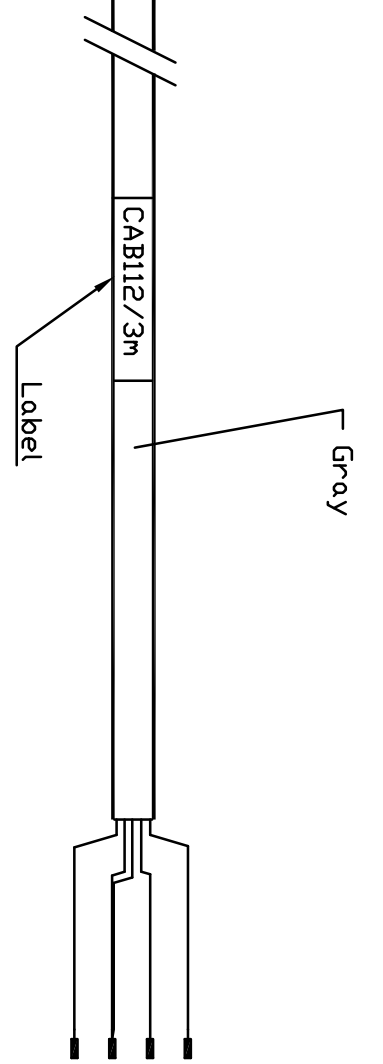
Shield connected to D-SUB cover

Crevis Modbus RS 485 screw shield



D-SUB 9P MALE

Length: 3 m  
Cable: LIYCY-Pair 2x2x0,14 or equivalent



**Note:** Cable must follow the Beijer standard document I-4795 Connection of the cable shield to the D-sub

This drawing is our intellectual and substantive property. It is a company secret, which may not be copied, duplicated or made accessible to third parties. It has to be returned to us upon demand and is not subject to a revision service.		Universal tolerances for linear and angular dimensions		Scale	Weight	Kg
	Date	Name	Designation	CAB 112 external cable, length 3m TXA Soft PLC Metal cover connector all views		
	Drawn 13.01.12	HBöhmler				
	Check					
	Norm					
	CIS-No:					

<b>D</b>	<b>Text+Details</b>	<b>27.02.12</b>	<b>Bö</b>	<b>Beijer</b> ELECTRONICS			Drawing number <b>CAB-77100-039D</b>	Page 1 of 1 Pg
<b>C</b>	<b>Resistor</b>	<b>20.02.12</b>	<b>Bö</b>					
<b>B</b>	<b>Text</b>	<b>13.05.11</b>	<b>Bö</b>					
Ref.	Revision	Date	Name	Subst. for:		Subst. of:		

