

Main

Commercial Status	Commercialised
Range of product	Modicon Quantum automation platform
Product or component type	Analogue input module
Type of filter	Single pole low pass - 3 dB at 15 Hz +/- 20 %

Complementary

Analogue input number	8
Input type	Differential
Addressing requirement	9 input words
Analogue input resolution	12 bits
Linear measuring range	1...5 V 4...20 mA
Absolute maximum input	50 V DC 25 mA
Input impedance	250 Ohm current +/- 0.01 % > 20 MOhm voltage
Absolute accuracy error	+/- 0.1 % of full scale maximum +/- 0.05 % of full scale
Linearity error	+/- 0.04 %
Accuracy drift according to temperature	<= 0.005 % of full scale/°C +/- 0.0025 % of full scale/°C
Common mode rejection	> -72 dB 60 Hz
Isolation between channels and bus	3000 V DC for 60 s 1000 V DC
Isolation between channels	30 V DC
Update time	5 ms
Fault type	Undervoltage range 1...5 V Broken wire 4...20 mA
Marking	CE
Local signalling	8 LEDs red channel fault 8 LEDs green channel is turned on 1 LED red external fault 1 LED green bus communication is present (Active)
Bus current requirement	240 mA
Power dissipation in W	2 W
Module format	Standard
Product weight	0.3 kg

Environment

Standards	CSA C22.2 No 142 UL 508
Product certifications	CUL FM Class 1 Division 2
Resistance to electrostatic discharge	8 kV on air conforming to IEC 801-2 4 kV contact conforming to IEC 801-2
Resistance to electromagnetic fields	10 V/m 80...1000 MHz conforming to IEC 801-3
Ambient air temperature for operation	0...60 °C
Ambient air temperature for storage	-40...85 °C
Relative humidity	95 % without condensation
Operating altitude	<= 5000 m

RoHS compliance

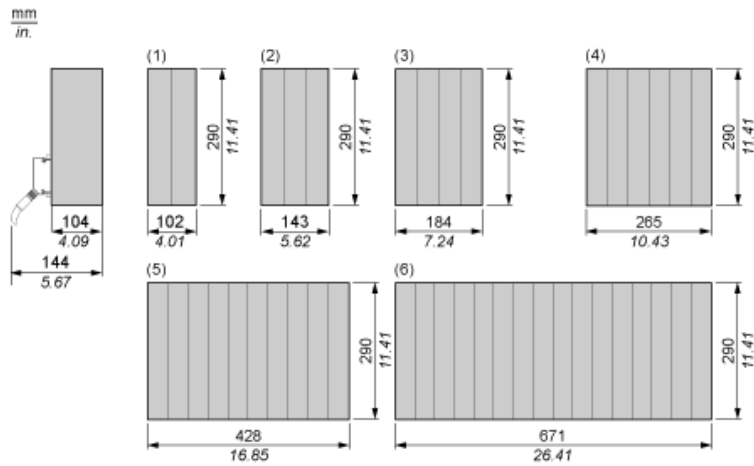
RoHS EUR status	Compliant
RoHS EUR conformity date(Y Y W W)	0852

Contractual warranty

Period	18 months
--------	-----------

Racks for Modules Mounting

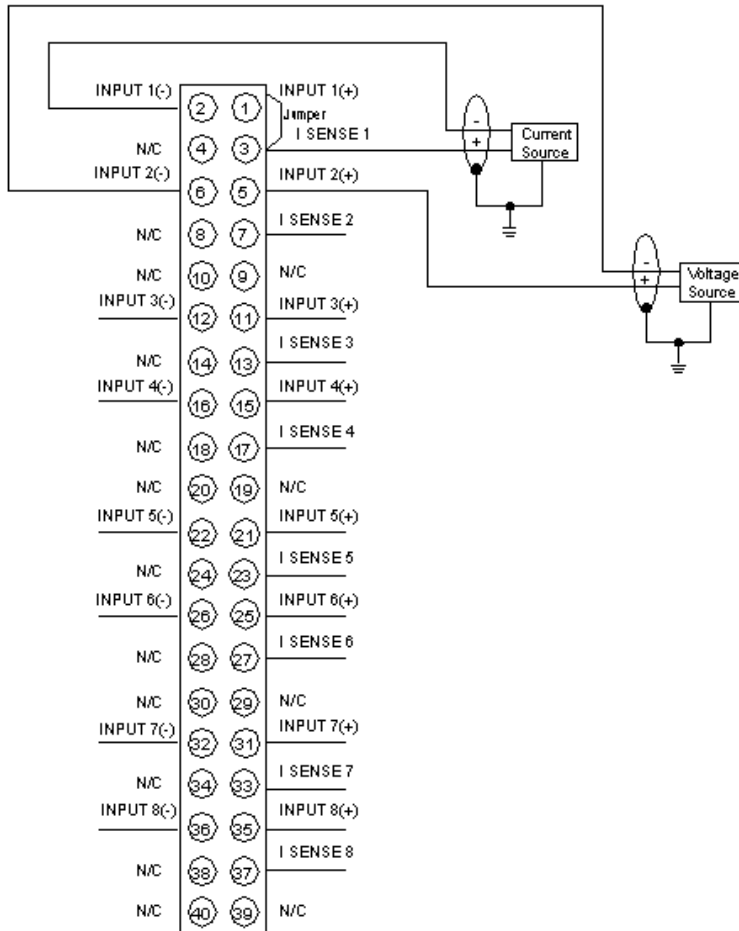
Dimensions of Modules and Racks



- (1) 2 slots
- (2) 3 slots
- (3) 4 slots
- (4) 6 slots
- (5) 10 slots
- (6) 16 slots

Analog Input 8-Channel Unipolar Module

Wiring Diagram



N/C Not Connected

The maximum channel to channel working voltage cannot exceed 30 Vdc.