


U.I. Lapp GmbH	PRODUCT INFORMATION	
	EPIC® M23 F6	29.11.2013

Circular connectors for Servo Cables and encoders
 Low-resistance screen contact, optimum EMC protection
 Use of high quality materials for increased reliability



Good chemical resistance



Industrial machinery and plant engineering



Optimum strain relief



Robust



Integrated SKINTOP® cable gland



Wind Energy

Application range

Plant engineering
 Servo drives and servo assemblies
 Measurement and control technology

Remark

Photographs are not to scale and do not represent detailed images of the respective products.

Technical Data


Material:	Housing: nickel-plated zinc die-casting Sealing: FPM
Protection rating:	IP68 (10h / 1m)
Temperature range:	-25°C až +125°C
VDE-tested:	Certified production control: VDE-REG. no. C24 (according to EN 61984, SELV according to DIN VDE 0100-410 has to be guaranteed) UL File Number: E249137

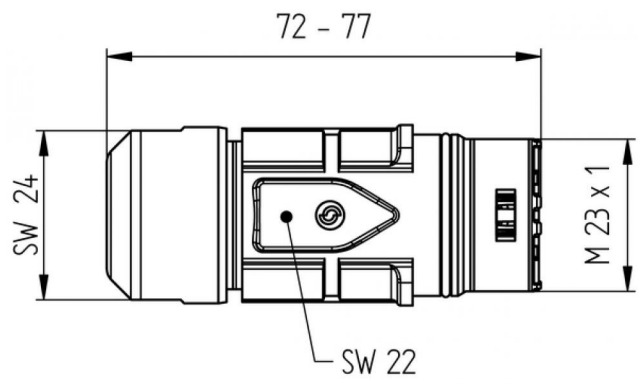
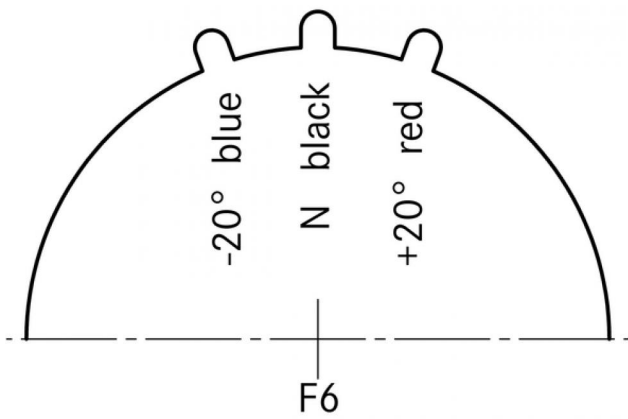
Product Management	Document: LAPP_PRO972EN.pdf	1 / 3
--------------------	-----------------------------	-------

**EPIC® M23 F6**

29.11.2013

Part number	Article	Coding	Cable clamping range
Type M23 F6 coupling connector			
44420040	M23 F6	black (N)	7 - 13,5
72064030	M23 F6	black (N)	7 - 10
72064020	M23 F6	black (N)	7 - 10
72064000	M23 F6	black (N)	9,5 - 13,5
72064010	M23 F6	black (N)	9,5 - 13,5
44420041	M23 F6	red (+20°)	7 - 13,5
72064230	M23 F6	red (+20°)	7 - 10
72064220	M23 F6	red (+20°)	7 - 10
72064200	M23 F6	red (+20°)	9,5 - 13,5
72064210	M23 F6	red (+20°)	9,5 - 13,5
44420039	M23 F6	blue (-20°)	7 - 13,5
72064130	M23 F6	blue (-20°)	7 - 10
72064120	M23 F6	blue (-20°)	7 - 10
72064100	M23 F6	blue (-20°)	9,5 - 13,5

U.I. Lapp GmbH	PRODUCT INFORMATION	
	EPIC® M23 F6	29.11.2013



Product Management	Document: LAPP_PRO972EN.pdf	3 / 3
--------------------	-----------------------------	-------