


| | | |
|-------------------|----------------------------|--|
| U.I. Lapp GmbH | PRODUCT INFORMATION |  |
| | EPIC® M23 D6 | 29.11.2013 |

Circular connectors for Servo Cables and encoders
 Low-resistance screen contact, optimum EMC protection
 Use of high quality materials for increased reliability



Good chemical resistance



Industrial machinery and plant engineering



Optimum strain relief



Robust



Integrated SKINTOP® cable gland



Wind Energy



Info

Robust metal connector with integrated EMC cable gland

Application range

Plant engineering
 Servo drives and servo assemblies
 Measurement and control technology

Remark

Photographs are not to scale and do not represent detailed images of the respective products.

Technical Data


| | |
|--------------------|--|
| Material: | Housing: nickel-plated zinc die-casting Sealing: FPM |
| Protection rating: | IP68 (10h / 1m) |
| Temperature range: | -25°C až +125°C |
| VDE-tested: | Certified production control: VDE-REG. no. C24 (according to EN 61984, SELV according to DIN VDE 0100-410 has to be guaranteed) UL File Number: E249137 |

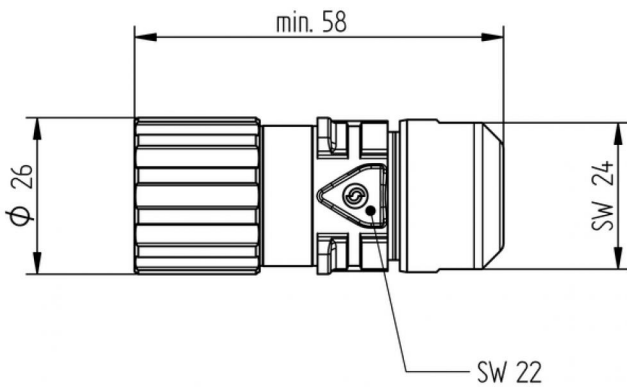
| | | |
|--------------------|-----------------------------|-------|
| Product Management | Document: LAPP_PRO971EN.pdf | 1 / 3 |
|--------------------|-----------------------------|-------|

EPIC® M23 D6

29.11.2013

| Part number | Article | Coding | Cable clamping range |
|-----------------------------|---------|-------------|----------------------|
| Type M23 D6 cable connector | | | |
| 44420037 | M23 D6 | black (N) | 7 - 13,5 |
| 72044030 | M23 D6 | black (N) | 7 - 10 |
| 72044020 | M23 D6 | black (N) | 7 - 10 |
| 72044000 | M23 D6 | black (N) | 9,5 - 13,5 |
| 72044010 | M23 D6 | black (N) | 9,5 - 13,5 |
| 44420038 | M23 D6 | red (+20°) | 7 - 13,5 |
| 72044230 | M23 D6 | red (+20°) | 7 - 10 |
| 72044220 | M23 D6 | red (+20°) | 7 - 10 |
| 72044200 | M23 D6 | red (+20°) | 9,5 - 13,5 |
| 72044210 | M23 D6 | red (+20°) | 9,5 - 13,5 |
| 44420036 | M23 D6 | blue (-20°) | 7 - 13,5 |
| 72044130 | M23 D6 | blue (-20°) | 7 - 10 |
| 72044120 | M23 D6 | blue (-20°) | 7 - 10 |
| 72044100 | M23 D6 | blue (-20°) | 9,5 - 13,5 |
| 72044110 | M23 D6 | blue (-20°) | 9,5 - 13,5 |

| | | |
|-------------------|----------------------------|--|
| U.I. Lapp GmbH | PRODUCT INFORMATION |  |
| | EPIC® M23 D6 | 29.11.2013 |



| | | |
|--------------------|-----------------------------|-------|
| Product Management | Document: LAPP_PRO971EN.pdf | 3 / 3 |
|--------------------|-----------------------------|-------|