


U.I. Lapp GmbH	<b>PRODUCT INFORMATION</b>	
	<b>EPIC® H-A 32 AD-BO</b>	<b>29.11.2013</b>

Rugged housings for 2 inserts  
For two inserts of the small H-A, H-D and STA series. Space-saving



Industrial machinery and plant engineering



Mechanical resistance



Robust



Waterproof



#### Info

Compact, robust metal housings for double size H-A 32

#### Application range

Machine and equipment manufacturing  
Control engineering

#### Product features

Panel-mount base  
Bolts for double lever  
Metal cover  
Included: flat gasket

#### Remark

Photographs are not to scale and do not represent detailed images of the respective products.

#### Technical Data

Material:	Housing: aluminium alloy, grey Lever: zinc-plated steel Sealing: NBR
Protection rating:	IP 65 (latched)
Temperature range:	-40 °C to +100 °C, short-term up to +125 °C


Product Management	Document: LAPP_PRO110168EN.pdf	1 / 3
--------------------	--------------------------------	-------

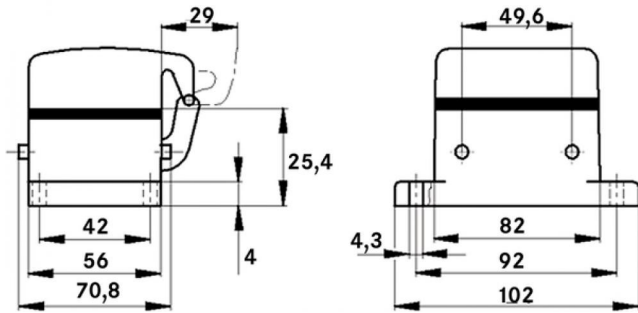


**EPIC® H-A 32 AD-BO**

29.11.2013

Part number	Article
H-A housing: panel-mount base (cover, bolts for double lever)	
70503000	H-A 32 AD-BO

U.I. Lapp GmbH	<b>PRODUCT INFORMATION</b>	
<b>EPIC® H-A 32 AD-BO</b>		29.11.2013



Product Management	Document: LAPP_PRO110168EN.pdf	3 / 3
--------------------	--------------------------------	-------