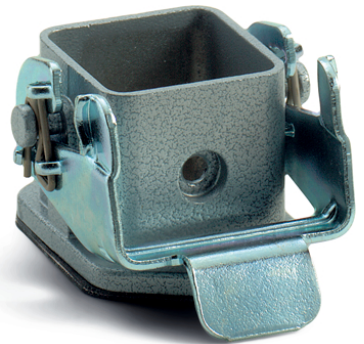


U.I. Lapp GmbH	<b>PRODUCT INFORMATION</b>	
	<b>EPIC® H-A 3 AG</b>	29.11.2013

Innovative metal and plastic housing design  
Housing in plastic or metal version. For power supply in the smallest possible space



Industrial machinery and plant engineering



Mechanical resistance



Robust



Waterproof

#### Info

Compact, robust metal- and plastic housings size H-A 3

#### Application range

Machine and equipment manufacturing  
Control engineering  
Electronic laboratory

#### Product features

Panel-mount base  
1 lever  
Included: flat gasket

#### Remark

Photographs are not to scale and do not represent detailed images of the respective products.

#### Technical Data

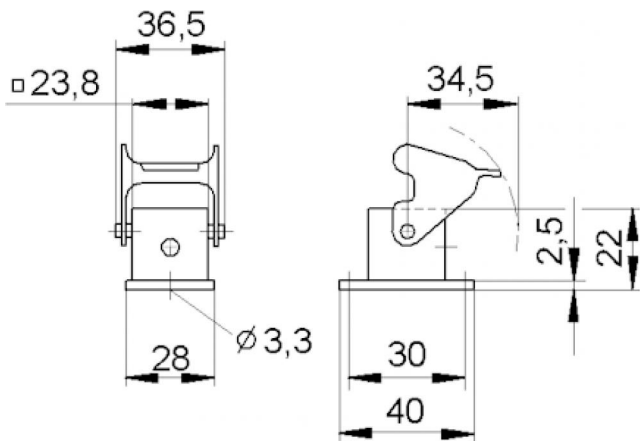
Material:	Housing: powder-coated zinc die-casting, grey Lever: zinc-plated steel Sealing: NBR Housing: grey thermoplastic, black Lever: zinc-plated steel Sealing: NBR
Protection rating:	IP 65 (latched)
Temperature range:	-40 °C to +100 °C, short-term up to +125 °C
VDE-tested:	Certified production control: VDE-REG. no.: B437 UL-tested: UL File Number: E75770

Product Management	Document: LAPP_PRO335EN.pdf	1 / 3
--------------------	-----------------------------	-------



Part number	Article	Colour	Material
H-A housing: panel-mount base (straight)			
10422500	H-A 3 Mag	grey	Zinc die-casting
10422200	H-A 3 Ag	black	Thermoplastic
10422000	H-A 3 Ag	grey	Thermoplastic

U.I. Lapp GmbH	<b>PRODUCT INFORMATION</b>	
	<b>EPIC® H-A 3 AG</b>	29.11.2013



Product Management	Document: LAPP_PRO335EN.pdf	3 / 3
--------------------	-----------------------------	-------