


U.I. Lapp GmbH	PRODUCT INFORMATION	
	EPIC® H-B 6 SDRL-LB	29.11.2013

Housing design H-B. The industry standard.
The smallest housing out of the H-B series. For inserts with high electrical properties



Automation



Industrial machinery and plant engineering



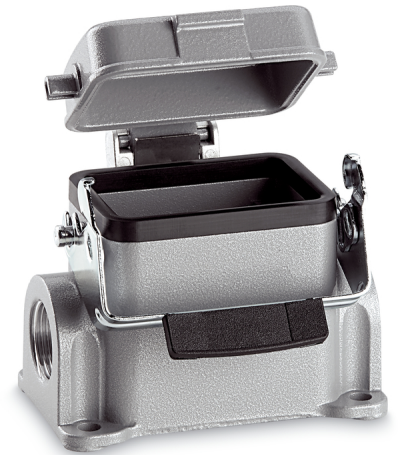
Mechanical resistance



Robust



Waterproof



Info

Universal, robust metal housings size H-B 6

Application range

Plant engineering
Control engineering
Plastics industry

Product features

Surface-mount base, low version
Single lever
2 cable entries
Metal cover

Remark

Photographs are not to scale and do not represent detailed images of the respective products.

Technical Data

Material:	Housing: powder-coated aluminium alloy, grey Lever: zinc-plated steel Sealing: NBR
Protection rating:	IP 65 (latched)
Temperature range:	-40 °C to +100 °C, short-term up to +125 °C


Product Management	Document: LAPP_PRO504EN.pdf	1 / 3
--------------------	-----------------------------	-------

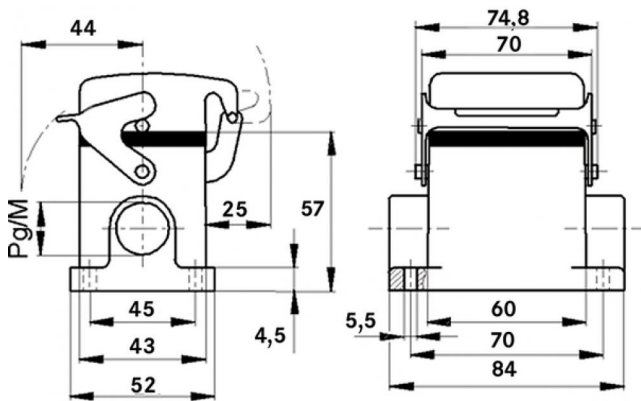


EPIC® H-B 6 SDRL-LB

29.11.2013

Part number	Article	M	PG
H-B housing: surface-mount base (cover, 2 cable entries, single lever)			
10009000	H-B 6 SDRL-LB 16		16
19009000	H-B 6 SDRL-LB M20	20	
79016600	H-B 6 SDRL-LB M25	25	

U.I. Lapp GmbH	PRODUCT INFORMATION	
EPIC® H-B 6 SDRL-LB		29.11.2013



Product Management	Document: LAPP_PRO504EN.pdf	3 / 3
--------------------	-----------------------------	-------