


U.I. Lapp GmbH	PRODUCT INFORMATION	
	EPIC® H-B 10 TS-RO	29.11.2013

Housing design H-B. The industry standard.
The smallest housing with single and double lever. The right housing is available for every application



Automation



Industrial machinery and plant engineering



Mechanical resistance



Robust



Waterproof

Info

Universal, robust metal housings size H-B 10

Application range

Plant engineering
Light & sound technology
Plastics industry

Product features

Hood, low version
Reels for single lever
Side cable entry
Versions with neck

Remark

Photographs are not to scale and do not represent detailed images of the respective products.

Technical Data

Material:	Housing: powder-coated aluminium alloy, grey Lever: zinc-plated steel Sealing: NBR
Protection rating:	IP 65 (latched)
Temperature range:	-40 °C to +100 °C, short-term up to +125 °C


Product Management	Document: LAPP_PRO515EN.pdf	1 / 3
--------------------	-----------------------------	-------

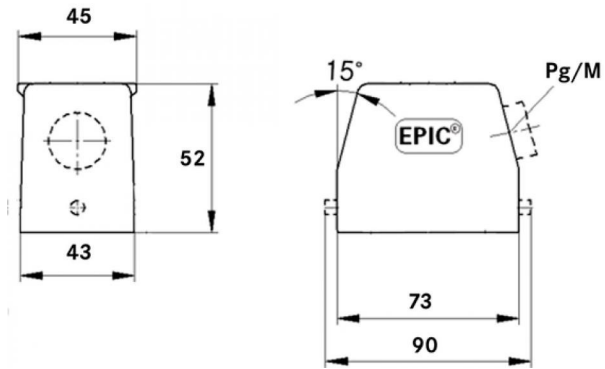


EPIC® H-B 10 TS-RO

29.11.2013

Part number	Article	M	PG	Neck
H-B housing: hood (side cable entry, bolts for single lever)				
10042900	H-B 10 TS-RO 16		16	yes
10042800	H-B 10 TS-RO 21		21	yes
19042900	H-B 10 TS-RO M20	20		yes
19042800	H-B 10 TS-RO M25	25		yes

U.I. Lapp GmbH	PRODUCT INFORMATION	
	EPIC® H-B 10 TS-RO	29.11.2013



Product Management	Document: LAPP_PRO515EN.pdf	3 / 3
--------------------	-----------------------------	-------