

# ZB4BA4

red flush pushbutton head Ø22 spring return  
unmarked

## Main

|                               |                                     |
|-------------------------------|-------------------------------------|
| Commercial Status             | Commercialised                      |
| Range of product              | Harmony XB4                         |
| Product or component type     | Head for non-illuminated pushbutton |
| Device short name             | ZB4                                 |
| Bezel material                | Chromium plated metal               |
| Mounting diameter             | 22 mm                               |
| Sale per indivisible quantity | 1                                   |
| Shape of signaling unit head  | Round                               |
| Type of operator              | Spring return                       |
| Operator profile              | Red flush unmarked                  |

## Complementary

|                             |  |
|-----------------------------|--|
| CAD overall width           | 29 mm  |
| CAD overall height          | 29 mm  |
| CAD overall depth           | 28 mm  |
| Mechanical durability       | 5000000 cycles   |
| Electrical composition code | C15 for 1 contacts using single blocks in front mounting<br>C11 for <= 3 contacts using single blocks in front mounting<br>C2 for <= 9 contacts using single and double blocks in front mounting<br>C1 for <= 9 contacts using single blocks in front mounting |

## Environment

|  |  |
|--|--|
| Protective treatment                       | TH   |
| Ambient air temperature for storage        | -40...70 °C  |
| Ambient air temperature for operation      | -25...70 °C  |
| Class of protection against electric shock | Class I conforming to IEC 60536  |
| IP degree of protection                    | IP66 conforming to IEC 60529   |
| NEMA degree of protection                  | NEMA 4X<br>NEMA 13   |
| IK degree of protection                    | IK03 conforming to IEC 50102   |
| Standards                                  | CSA C22-2 No 14<br>EN/IEC 60947-1<br>EN/IEC 60947-5-1<br>EN/IEC 60947-5-4<br>EN/IEC 60947-5-5<br>JIS C 4520<br>UL 508                                |
| Product certifications                     | BV<br>CSA<br>DNV<br>GL<br>LROS (Lloyds register of shipping)<br>RINA<br>UL listed  |
| Vibration resistance                       | 5 gn (f = 2...500 Hz) conforming to IEC 60068-2-6  |
| Shock resistance                           | 50 gn for 11 ms half sine wave acceleration conforming to IEC 60068-2-27<br>30 gn for 18 ms half sine wave acceleration conforming to IEC 60068-2-27 |

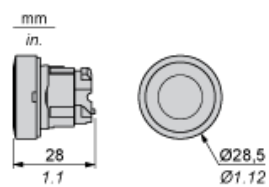
## Contractual warranty

|        |           |
|--------|-----------|
| Period | 18 months |
|--------|-----------|

---

Dimensions

---

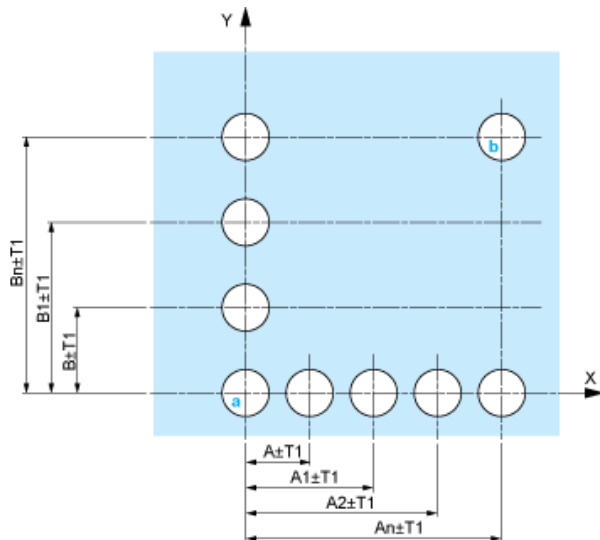


Panel Cut-out for Pushbuttons, Switches and Pilot Lights (Finished Holes, Ready for Installation)

| Connection by Screw Clamp Terminals or Plug-in Connectors or on Printed Circuit Board   | Connection by Faston Connectors  |
|---|--|
|    |  |
| <p>(1) Diameter on finished panel or support<br/>                 (2) 40 mm min. / 1.57 in. min.<br/>                 (3) 30 mm min. / 1.18 in. min.<br/>                 (4) <math>\varnothing 22.5 \text{ mm } \varnothing / 0.89 \text{ in. } \varnothing</math> recommended (<math>\varnothing 22.3 \text{ mm } \varnothing^{+0.4} / 0.88 \text{ in. } \varnothing^{+0.016}</math>)<br/>                 (5) 45 mm min. / 1.78 in. min.<br/>                 (6) 32 mm min. / 1.26 in. min.</p> |  |

Pushbuttons, Switches and Pilot Lights for Printed Circuit Board Connection

Panel Cut-outs (Viewed from Installer's Side)



- A: 30 mm min. / 1.18 in. min.
- B: 40 mm min. / 1.57 in. min.

## Printed Circuit Board Cut-outs (Viewed from Electrical Block Side)

Dimensions in mm



A: 30 mm min.

B: 40 mm min.

Dimensions in in.



A: 1.18 in. min.

B: 1.57 in. min.

## General Tolerances of the Panel and Printed Circuit Board

The cumulative tolerance must not exceed 0.3 mm / 0.012 in:  $T1 + T2 = 0.3 \text{ mm max.}$

## Installation Precautions

- Minimum thickness of circuit board: 1.6 mm / 0.06 in.
- Cut-out diameter: 22.4 mm  $\pm$  0.1 / 0.88 in.  $\pm$  0.004
- Orientation of body/fixing collar ZB4 BZ009:  $\pm 2^\circ 30'$  (excluding cut-outs marked a and b).
- Tightening torque of screws ZBZ 006: 0.6 N.m (5.3 lbf.in) max.
- Allow for one ZB4 BZ079 fixing collar/pillar and its fixing screws:
  - every 90 mm / 3.54 in. horizontally (X), and 120 mm / 4.72 in. vertically (Y).
  - with each selector switch head (ZB4 BD•, ZB4 BJ•, ZB4 BG•).

The fixing centers marked a and b are diagonally opposed and must align with those marked 4 and 5.



- (1) Panel  
(2) Printed circuit board

### Mounting of Adapter (Socket) ZBZ 01•

- 1 2 elongated holes for ZBZ 006 screw access
- 2 1 hole  $\varnothing 2.4 \text{ mm} \pm 0.05 / 0.09 \text{ in.} \pm 0.002$  for centring adapter ZBZ 01•
- 3  $8 \times \varnothing 1.2 \text{ mm} / 0.05 \text{ in.}$  holes
- 4 1 hole  $\varnothing 2.9 \text{ mm} \pm 0.05 / 0.11 \text{ in.} \pm 0.002$ , for aligning the printed circuit board (with cut-out marked a)
- 5 1 elongated hole for aligning the printed circuit board (with cut-out marked b)
- 6 4 holes  $\varnothing 2.4 \text{ mm} / 0.09 \text{ in.}$  for clipping in adapter ZBZ 01•

Dimensions An + 18.1 relate to the  $\varnothing 2.4 \text{ mm} \pm 0.05 / 0.09 \text{ in.} \pm 0.002$  holes for centring adapter ZBZ 01•.

---

Electrical Composition Corresponding to Code C1

---



---

Electrical Composition Corresponding to Code C2

---



---

Electrical Composition Corresponding to Codes C9, C11, SF1 and SR1

---

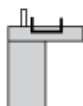


---

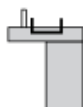
Electrical Composition Corresponding to Code C15

---

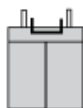
1 N/O



1 N/C



1 N/O + N/C or 1 N/O + N/O or 1 N/C + N/C



---

Legend

---

Single contact



Double contact



Light block



Possible location

