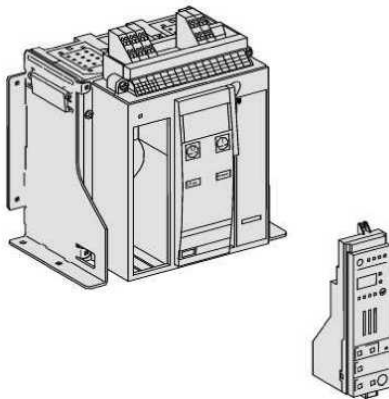


47151

circuit breaker Masterpact NT16H2 - 1600 A - 3 poles - fixed - w/o trip unit



Main

Range of product	Masterpact NT
Device short name	Masterpact NT16
Circuit breaker name	Masterpact NT16
Poles description	3P
Network type	AC
Breaking capacity code	H2
Suitability for isolation	Yes conforming to IEC 60947-2
Utilisation category	Category B

Complementary

Network frequency	50/60 Hz
Control type	Pushbutton
Mounting mode	Fixed
[In] rated current	1600 A (40 °C)
[Ui] rated insulation voltage	1000 V AC 50/60 Hz conforming to IEC 60947-2
[Uimp] rated impulse withstand voltage	12 kV conforming to IEC 60947-2
[Icm] rated short-circuit making capacity	105 kA 220/415 V AC 50/60 Hz 105 kA 440 V AC 50/60 Hz 88 kA 525 V AC 50/60 Hz 88 kA 690 V AC 50/60 Hz
[Ue] rated operational voltage	690 V AC 50/60 Hz conforming to IEC 60947-2
Circuit breaker CT rating	1600 A
Breaking capacity	42 kA at 600 V AC 50/60 Hz conforming to NEMA AB1 HIC 50 kA at 240 V AC 50/60 Hz conforming to NEMA AB1 HIC Icu 50 kA at 380...415 V AC 50/60 Hz conforming to IEC 60947-2 50 kA at 480 V AC 50/60 Hz conforming to NEMA AB1 HIC Icu 50 kA at 220...240 V AC 50/60 Hz conforming to IEC 60947-2 Icu 50 kA at 440 V AC 50/60 Hz conforming to IEC 60947-2 Icu 42 kA at 525 V AC 50/60 Hz conforming to IEC 60947-2 Icu 42 kA at 690 V AC 50/60 Hz conforming to IEC 60947-2
[Ics] rated service breaking capacity	Ics 50 kA 440 V AC 50/60 Hz conforming to IEC 60947-2 Ics 42 kA 525 V AC 50/60 Hz conforming to IEC 60947-2 Ics 42 kA 690 V AC 50/60 Hz conforming to IEC 60947-2 Ics 50 kA 220/415 V AC 50/60 Hz conforming to IEC 60947-2
Mechanical durability	12500 cycles without maintenance conforming to IEC 60947-2
Electrical durability	3000 cycles 690 V AC 50/60 Hz without maintenance conforming to IEC 60947-2 6000 cycles 440 V AC 50/60 Hz without maintenance conforming to IEC 60947-2 AC-23A: 3000 cycles 690 V AC 50/60 Hz without maintenance conforming to IEC 60947-2 AC-23A: 6000 cycles 440 V AC 50/60 Hz without maintenance conforming to IEC 60947-2 AC-3: 6000 cycles 440 V AC 50/60 Hz without maintenance conforming to IEC 60947-2
Connection pitch	70 mm
[Icw] rated short-time withstand current	20 kA (3 s) conforming to IEC 60947-2 42 kA (0.5 s) conforming to IEC 60947-2 42 kA (1 s) conforming to IEC 60947-2
Integral instant protection	81...99 kA
Maximum breaking time	25 ms
Closing response time	< 50 ms
Height	301 mm
Width	276 mm
Depth	196 mm

The information provided in this documentation contains general descriptions and/or technical characteristics of the products contained herein. This documentation is not intended as a substitute for and is not to be used for determining suitability or reliability of these products for specific user applications. It is the duty of any such user or integrator to perform the appropriate and complete risk analysis, evaluation and testing of the products with respect to the relevant specific application or use thereof. Neither Schneider Electric Industries SAS nor any of its affiliates or subsidiaries shall be responsible or liable for misuse of the information contained herein.

Environment

Standards	IEC 60947-2
Product certifications	ASEFA LCIE
Pollution degree	3 conforming to IEC 60664-1
Ambient air temperature for operation	-25...70 °C
Ambient air temperature for storage	-40...85 °C