

Interface converter - PSM-ME-RS232/RS485-P - 2744416

Please be informed that the data shown in this PDF Document is generated from our Online Catalog. Please find the complete data in the user's documentation. Our General Terms of Use for Downloads are valid (<http://download.phoenixcontact.com>)



Interface converter, for converting RS-232 (V.24) to RS-422 (V.11) and RS-485, with electrical isolation, 2 channels, rail-mountable

Product Features

- RS-422 4-wire point-to-point operation
- RS-485 2-wire operation, half duplex
- RS-485 4-wire operation, full duplex
- Automatic RS-485 transmit/receive changeover
- Transmission speed of 4.8 kbps to 115.2 kbps
- Integrated data indicator for dynamic indication of transmit and receive data
- High-quality 3-way isolation between power supply, RS-232, and RS-422/RS-485 for safe decoupling of potentials with 2 kV
- Integrated surge protection with transient discharge to the DIN rail



Key commercial data

package_quantity	1
GTIN	4017918171780

Technical data

Note

Utilization restriction	EMC: class A product, see manufacturer's declaration in the download area
--------------------------------	---

Dimensions

Width	22.5 mm
Height	99 mm
Depth	118.6 mm

Ambient conditions

Ambient temperature (operation)	0 °C ... 55 °C
Ambient temperature (storage/transport)	-40 °C ... 85 °C
Permissible humidity (operation)	10 % ... 95 % (non-condensing)
Altitude	5000 m (For restrictions see manufacturer's declaration)
Degree of protection	IP20
Noise immunity	EN 61000-6-2:2005

Interface converter - PSM-ME-RS232/RS485-P - 2744416

Technical data

Serial interface

Interface 1	V.24 (RS-232) interface in acc. with ITU-T V.28, EIA/TIA-232, DIN 66259-1
Connection method	D-SUB-9 plug
Transmission length	15 m (twisted pair)
Conductor cross section stranded min.	0.2 mm ²
Conductor cross section stranded max.	2.5 mm ²
Conductor cross section AWG/kcmil min.	24
Conductor cross section AWG/kcmil max	13
Serial transmission speed	115.2 kbps
Interface 2	RS-422 interface in acc. with ITU-T V.11, EIA/TIA-422, DIN 66348-1
Connection method	Pluggable screw connection
Transmission length	1200 m (twisted pair)
Termination resistor	390 Ω
Termination resistor	180 Ω
Termination resistor	390 Ω (Can be connected)
Conductor cross section stranded min.	0.2 mm ²
Conductor cross section stranded max.	2.5 mm ²
Conductor cross section AWG/kcmil min.	24
Conductor cross section AWG/kcmil max	13
Serial transmission speed	115.2 kbps
Interface 3	RS-485 interface in acc. with EIA/TIA-485, DIN 66259-1
Connection method	Pluggable screw connection
Data direction switching	Automatic control or via RTS/CTS
Transmission length	1200 m (twisted pair)
Termination resistor	390 Ω
Termination resistor	180 Ω
Termination resistor	390 Ω (Can be connected)
Conductor cross section stranded max.	2.5 mm ²
Conductor cross section stranded min.	0.2 mm ²
Conductor cross section AWG/kcmil max	14
Conductor cross section AWG/kcmil min.	24
Serial transmission speed	115.2 kbps

Power supply

Nominal supply voltage	24 V AC/DC ±20 %
Typical current consumption	85 mA (24 V DC)

General

Transmission channels	2 (1/1), RxD, TxD, full duplex
Bit delay	≤ 3 μs
Bit distortion	≤ 5 %
Electrical isolation	VCC // V.24 (RS-232) // RS-485

Interface converter - PSM-ME-RS232/RS485-P - 2744416

Technical data

General

Test voltage data interfaces	2 kV AC
Test voltage data interface/power supply	2 kV AC
Test voltage data interface/power supply	2 kV
Electromagnetic compatibility	Conformance with EMC Directive 2004/108/EC
Noise emission	EN 50 081-1
Net weight	120 g
Housing material	PA
Color	green
MTBF	923 Years (Telcordia standard, 25°C temperature, 21% operating cycle (5 days a week, 8 hours a day))
MTBF	179 Years (Telcordia standard, 40°C temperature, 34.25% operating cycle (5 days a week, 12 hours a day))
Conformance	CE-compliant
UL, USA / Canada	508 recognized
UL, USA / Canada	Class I, Div. 2, Groups A, B, C, D

classifications

eCl@ss

eCl@ss 4.0	27250312
eCl@ss 4.1	27250312
eCl@ss 5.0	27242208
eCl@ss 5.1	27242208
eCl@ss 6.0	27242208
eCl@ss 7.0	27242208
eCl@ss 8.0	27143129

ETIM

ETIM 2.0	EC000698
ETIM 3.0	EC000698
ETIM 4.0	EC000698
ETIM 5.0	EC000698

UNSPSC

UNSPSC 6.01	30211506
UNSPSC 7.0901	39121008
UNSPSC 11	39121008
UNSPSC 12.01	39121008
UNSPSC 13.2	43201553

approvals

cUL Recognized / UL Listed / cUL Listed / cULus Listed / UL Recognized / cUL Recognized / GOST / DNV / cULus Recognized /

Interface converter - PSM-ME-RS232/RS485-P - 2744416

approvals

Approval details

cUL Recognized	
Nominal voltage UN	24 V
Nominal current IN	0.085 A
mm ² /AWG/kcmil	

UL Listed

cUL Listed

cULus Listed

UL Recognized

GOST

DNV

cULus Recognized

accessories

Adapter cable

Interface converter - PSM-ME-RS232/RS485-P - 2744416

accessories

PSM-KA 9 SUB 25/BB/2METER - 2761059



PSM-KA9SUB9/BB/2METER - 2799474



Mounting material

ME-SAS - 2853899



Screwdriver tools

SZF 1-0,6X3,5 - 1204517



Terminal resistor

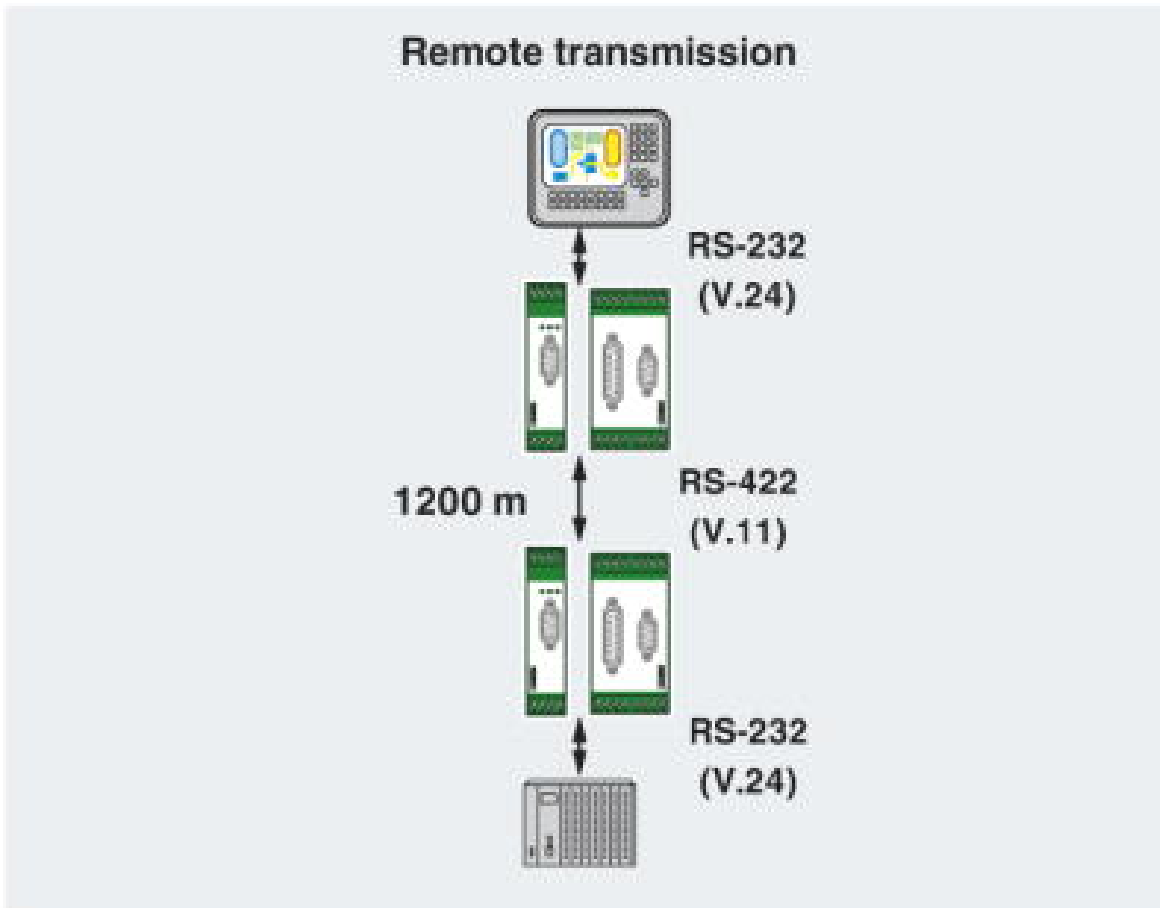
PSI-TERMINATOR-PB - 2313944



Interface converter - PSM-ME-RS232/RS485-P - 2744416

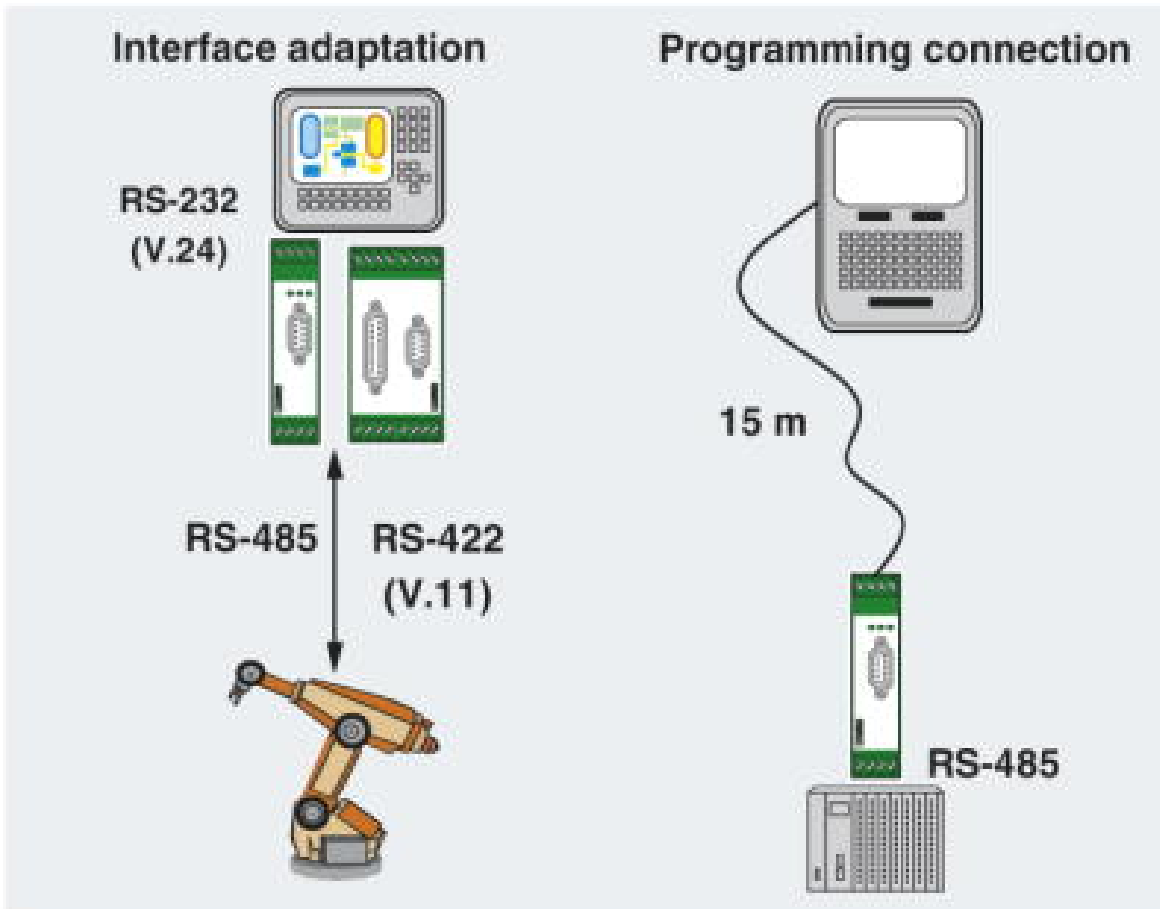
Drawings

Application drawing



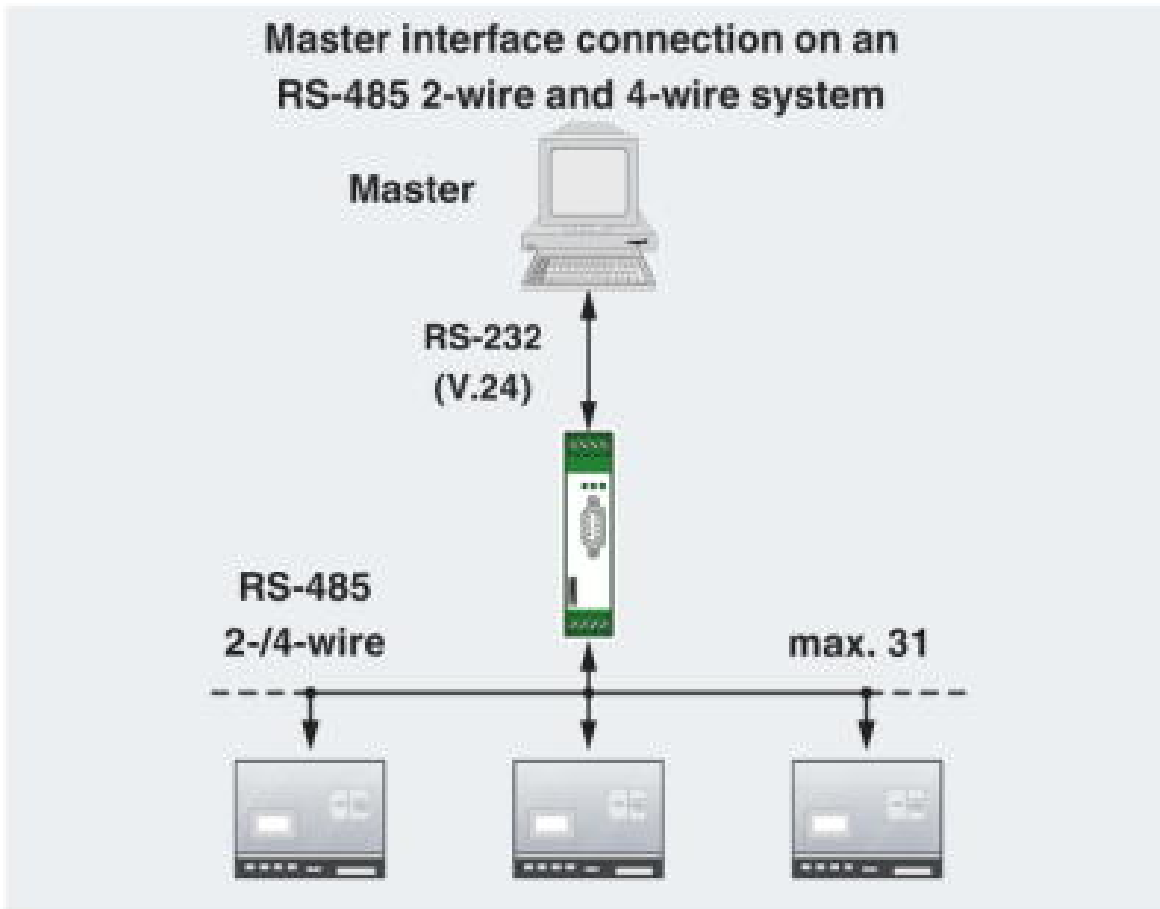
Interface converter - PSM-ME-RS232/RS485-P - 2744416

Application drawing



Interface converter - PSM-ME-RS232/RS485-P - 2744416

Application drawing



Interface converter - PSM-ME-RS232/RS485-P - 2744416

Application drawing

