

Patch panels - FL-PP-RJ45-LSA - 2901645

Please be informed that the data shown in this PDF Document is generated from our Online Catalog. Please find the complete data in the user's documentation. Our General Terms of Use for Downloads are valid (<http://download.phoenixcontact.com>)



Patch panel, one RJ45 socket to 8 IDC connection terminal blocks (1:1 assignment), CAT5e, 10/100/1000 Mbps, DIN rail mounting, IP20, option of shield contacting on DIN rail via jumpers

Product Features

- Safe shield connection to ground potential
- CAT5e
- Mounting on a DIN rail
- 10/100 Mbps
- Optional shield connection via jumpers

Ethernet



Key commercial data

package_quantity	1
GTIN	4046356622790

Technical data

Dimensions

Width	29 mm
Height	90 mm
Depth	53 mm

Ambient conditions

Ambient temperature (operation)	-25 °C ... 70 °C
Ambient temperature (storage/transport)	-25 °C ... 85 °C
Permissible humidity (operation)	25 % ... 95 % (non-condensing)
Degree of protection	IP20

Serial interface

Interface 1	Ethernet interface, 10/100/1000Base-T(X) according to IEEE 802.3u
Connection method	LSA
Transmission length	100 m (including patch cables)
Conductor cross section solid min.	0.128 mm ²
Conductor cross section solid max.	0.325 mm ²
Conductor cross section stranded min.	0.128 mm ²
Conductor cross section stranded max.	0.325 mm ²

Patch panels - FL-PP-RJ45-LSA - 2901645

Technical data

Serial interface

Conductor cross section AWG/kcmil min.	26
Conductor cross section AWG/kcmil max	22
Pin assignment	1:1
Serial transmission speed	10/100/1000 Mbps
Interface 2	Ethernet interface, 10/100/1000Base-T(X) according to IEEE 802.3u
Connection method	RJ45 CAT5e

Power supply

Typical current consumption	< 1 A
-----------------------------	-------

General

Net weight	55 g
Housing material	PVC / PA
Color	green
MTBF	6702 Years (Telcordia standard, 25°C temperature, 21% operating cycle (5 days a week, 8 hours a day))
MTBF	2962 Years (Telcordia standard, 40°C temperature, 34.25% operating cycle (5 days a week, 12 hours a day))

classifications

eCl@ss

eCl@ss 4.0	27250591
eCl@ss 4.1	27240409
eCl@ss 5.0	27259207
eCl@ss 5.1	27230207
eCl@ss 6.0	27230207
eCl@ss 7.0	27230207
eCl@ss 8.0	19170112

ETIM

ETIM 3.0	EC000313
ETIM 4.0	EC001128
ETIM 5.0	EC001128

UNSPSC

UNSPSC 6.01	30211506
UNSPSC 7.0901	39121008
UNSPSC 11	39121008
UNSPSC 12.01	39121008
UNSPSC 13.2	39121008

Patch panels - FL-PP-RJ45-LSA - 2901645

approvals

DNV /

Approval details

DNV

accessories

Universal tools

FL CRIMPTOOL - 2744869



Data cable by the meter

FL CAT5 HEAVY - 2744814



FL CAT5 FLEX - 2744830



Data cable preassembled

FL CAT5 HEAVY CONF/ - 2744827



Patch panels - FL-PP-RJ45-LSA - 2901645

accessories

FL CAT5 FLEX CONF/ - 2744843



Passive isolators

FL ISOLATOR 100-RJ/SC - 2313928



FL ISOLATOR 100-RJ/RJ - 2313931



FL ISOLATOR 1000-RJ/RJ - 2313915



Patch cable

FL CAT5 PATCH 0,3 - 2832250



Patch panels - FL-PP-RJ45-LSA - 2901645

accessories

FL CAT5 PATCH 0,5 - 2832263



FL CAT5 PATCH 1,0 - 2832276



FL CAT5 PATCH 1,5 - 2832221



FL CAT5 PATCH 2,0 - 2832289



FL CAT5 PATCH 3,0 - 2832292



Assembly tool

Patch panels - FL-PP-RJ45-LSA - 2901645

accessories

CT-WZ/A - 2765505



Data plug

VS-08-RJ45-5-Q/IP20 - 1656725



VS-08-RJ45-5-Q/IP20 BK - 1658008



accessories

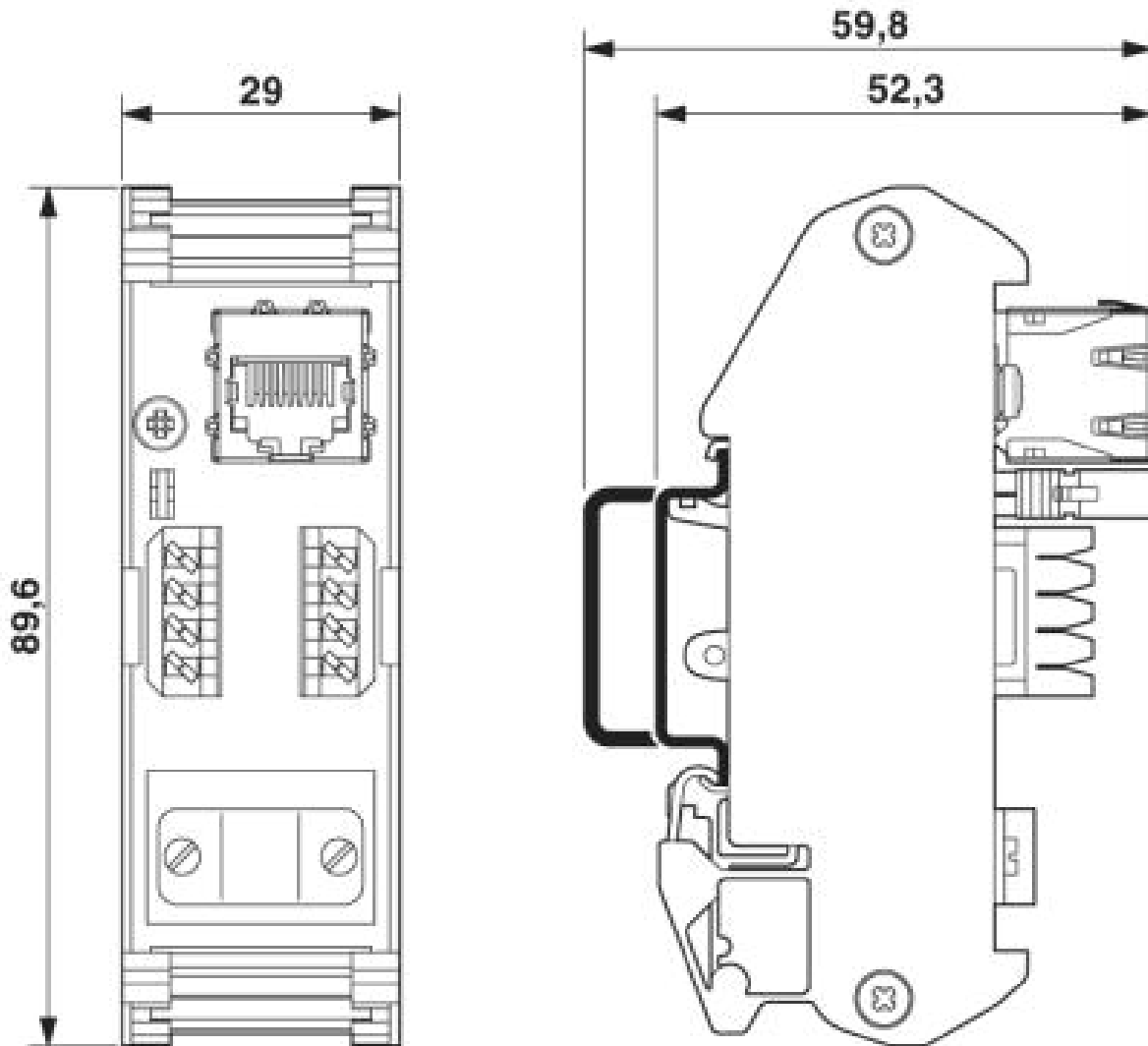
VS-CABLE-STRIP-VARIO - 1657407



Drawings

Patch panels - FL-PP-RJ45-LSA - 2901645

Dimensioned drawing



Patch panels - FL-PP-RJ45-LSA - 2901645

Circuit diagram

