

# Patch panels - FL-PP-RJ45-SC - 2901643

Please be informed that the data shown in this PDF Document is generated from our Online Catalog. Please find the complete data in the user's documentation. Our General Terms of Use for Downloads are valid (<http://download.phoenixcontact.com>)



Patch panel, one RJ45 socket to 8 screw connection terminal blocks (1:1 assignment), CAT5e, 10/100/1000 Mbps, DIN rail mounting, IP20, option of shield contacting on DIN rail via jumpers

## Product Features

- Safe shield connection to ground potential
- 10/100 Mbps
- Mounting on a DIN rail
- CAT5e
- Optional shield connection via jumpers

Ethernet



## Key commercial data

package_quantity	1
GTIN	4046356623391

## Technical data

### Dimensions

Width	29 mm
Height	90 mm
Depth	53 mm

### Ambient conditions

Ambient temperature (operation)	-25 °C ... 70 °C
Ambient temperature (storage/transport)	-25 °C ... 85 °C
Permissible humidity (operation)	25 % ... 95 % (non-condensing)
Degree of protection	IP20

### Serial interface

Interface 1	Ethernet interface, 10/100/1000Base-T(X) according to IEEE 802.3u
Connection method	Screw connection
Transmission length	100 m (including patch cables)
Conductor cross section solid min.	0.14 mm <sup>2</sup>
Conductor cross section solid max.	1.5 mm <sup>2</sup>
Conductor cross section stranded min.	0.14 mm <sup>2</sup>
Conductor cross section stranded max.	1 mm <sup>2</sup>

## Patch panels - FL-PP-RJ45-SC - 2901643

### Technical data

#### Serial interface

<b>Conductor cross section AWG/kcmil min.</b>	26
<b>Conductor cross section AWG/kcmil max</b>	16
<b>Pin assignment</b>	1:1
<b>Serial transmission speed</b>	10/100/1000 Mbps
<b>Interface 2</b>	Ethernet interface, 10/100/1000Base-T(X) according to IEEE 802.3u
<b>Connection method</b>	RJ45 CAT5e

#### Power supply

<b>Typical current consumption</b>	< 1 A
------------------------------------	-------

#### General

<b>Net weight</b>	55 g
<b>Housing material</b>	PVC / PA
<b>Color</b>	green
<b>MTBF</b>	6702 Years (Telcordia standard, 25°C temperature, 21% operating cycle (5 days a week, 8 hours a day))
<b>MTBF</b>	2962 Years (Telcordia standard, 40°C temperature, 34.25% operating cycle (5 days a week, 12 hours a day))

### classifications

#### eCl@ss

<b>eCl@ss 4.0</b>	27250591
<b>eCl@ss 4.1</b>	27240409
<b>eCl@ss 5.0</b>	27259207
<b>eCl@ss 5.1</b>	27230207
<b>eCl@ss 6.0</b>	27230207
<b>eCl@ss 7.0</b>	27230207
<b>eCl@ss 8.0</b>	19170112

#### ETIM

<b>ETIM 3.0</b>	EC000313
<b>ETIM 4.0</b>	EC001128
<b>ETIM 5.0</b>	EC001128

#### UNSPSC

<b>UNSPSC 6.01</b>	30211506
<b>UNSPSC 7.0901</b>	39121008
<b>UNSPSC 11</b>	39121008
<b>UNSPSC 12.01</b>	39121008
<b>UNSPSC 13.2</b>	39121008

## Patch panels - FL-PP-RJ45-SC - 2901643

approvals

---

DNV /

---

Approval details

DNV
-----

accessories

**Universal tools**

FL CRIMPTOOL - 2744869



---

**Data cable by the meter**

FL CAT5 HEAVY - 2744814



---

FL CAT5 FLEX - 2744830



---

**Data cable preassembled**

FL CAT5 HEAVY CONF/ - 2744827



## Patch panels - FL-PP-RJ45-SC - 2901643

### accessories

FL CAT5 FLEX CONF/ - 2744843



---

### Screwdriver tools

SZF 0-0,4X2,5 - 1204504



---

### Passive isolators

FL ISOLATOR 100-RJ/SC - 2313928



FL ISOLATOR 100-RJ/RJ - 2313931



FL ISOLATOR 1000-RJ/RJ - 2313915



---

### Patch cable

## Patch panels - FL-PP-RJ45-SC - 2901643

### accessories

FL CAT5 PATCH 0,3 - 2832250



---

FL CAT5 PATCH 0,5 - 2832263



---

FL CAT5 PATCH 1,0 - 2832276



---

FL CAT5 PATCH 1,5 - 2832221



---

FL CAT5 PATCH 2,0 - 2832289



---

FL CAT5 PATCH 3,0 - 2832292



## Patch panels - FL-PP-RJ45-SC - 2901643

### accessories

---

#### Data plug

VS-08-RJ45-5-Q/IP20 - 1656725



VS-08-RJ45-5-Q/IP20 BK - 1658008



### accessories

---

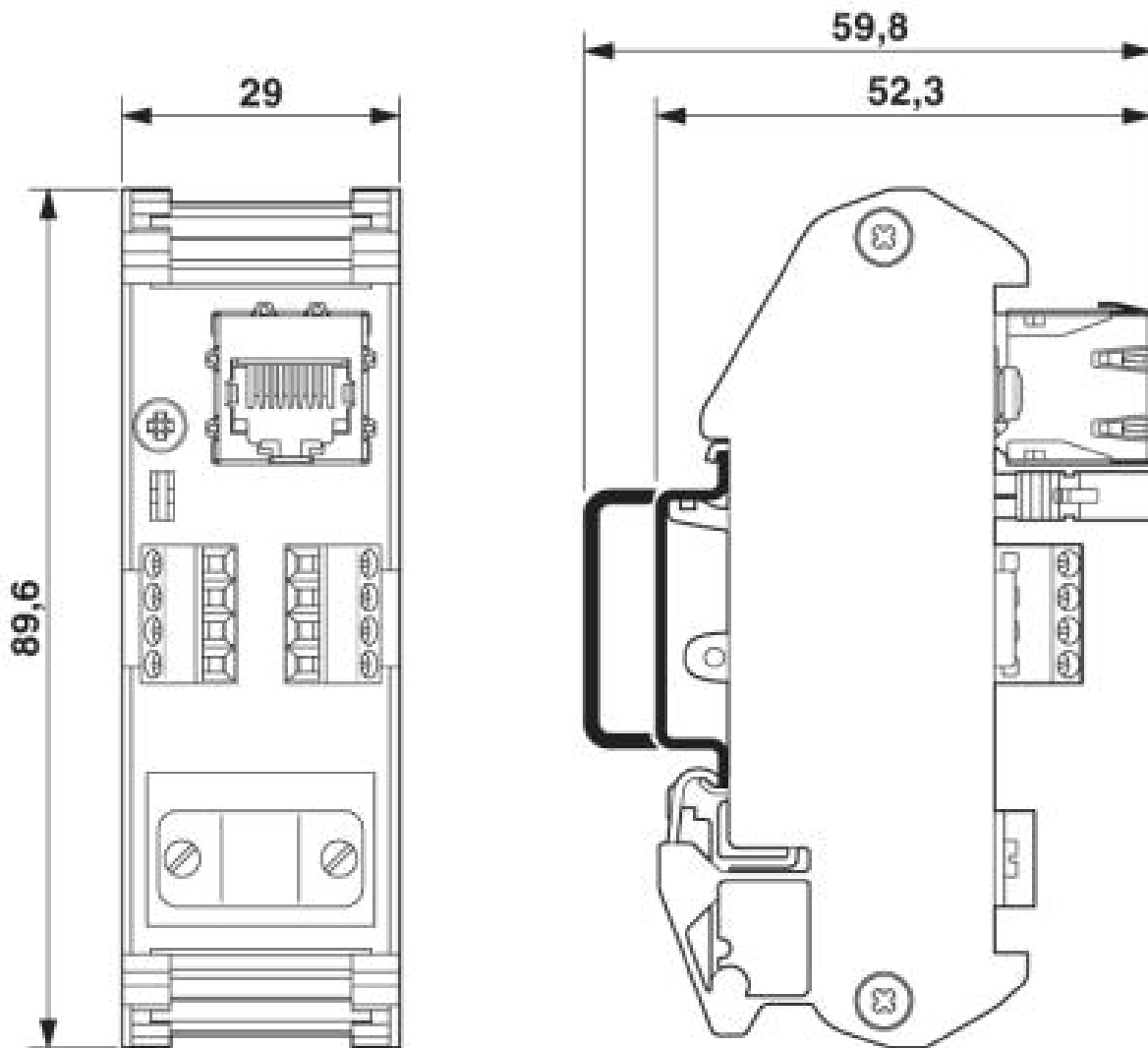
VS-CABLE-STRIP-VARIO - 1657407



### Drawings

# Patch panels - FL-PP-RJ45-SC - 2901643

Dimensioned drawing



# Patch panels - FL-PP-RJ45-SC - 2901643

Circuit diagram

