

Patch panels - FL CAT5 TERMINAL BOX - 2744610

Please be informed that the data shown in this PDF Document is generated from our Online Catalog. Please find the complete data in the user's documentation. Our General Terms of Use for Downloads are valid (<http://download.phoenixcontact.com>)



Patch panel, one RJ45 socket to 4 screw connection terminal blocks (assignment 1, 2, 3, 6), CAT5e, 10/100 Mbps, DIN rail mounting, IP20, shield contacting on DIN rail

Product Features

- Safe shield connection to ground potential
- Mounting on a DIN rail
- 10/100 Mbps
- CAT5e

Ethernet

Key commercial data

package_quantity	1
GTIN	4017918819477

Technical data

Dimensions

Width	25 mm
Height	90 mm
Depth	52 mm

Ambient conditions

Ambient temperature (operation)	-25 °C ... 70 °C
Ambient temperature (storage/transport)	-25 °C ... 85 °C
Permissible humidity (operation)	25 % ... 95 % (non-condensing)
Degree of protection	IP20

Serial interface

Interface 1	Ethernet interface, 10/100BASE-T(X) in acc. with IEEE 802.3u
Connection method	Screw connection
Transmission length	100 m (including patch cables)
Conductor cross section solid min.	0.14 mm ²
Conductor cross section solid max.	1.5 mm ²
Conductor cross section stranded min.	0.14 mm ²
Conductor cross section stranded max.	1 mm ²
Conductor cross section AWG/kcmil min.	26

Patch panels - FL CAT5 TERMINAL BOX - 2744610

Technical data

Serial interface

Conductor cross section AWG/kcmil max	16
Pin assignment	1:1
Serial transmission speed	10/100 Mbps
Interface 2	Ethernet interface, 10/100BASE-T(X) in acc. with IEEE 802.3u
Connection method	RJ45 CAT5e

Power supply

Typical current consumption	< 1 A
------------------------------------	-------

General

Net weight	39 g
Housing material	PVC / PA
Color	green
MTBF	6702 Years (Telcordia standard, 25°C temperature, 21% operating cycle (5 days a week, 8 hours a day))
MTBF	2962 Years (Telcordia standard, 40°C temperature, 34.25% operating cycle (5 days a week, 12 hours a day))

classifications

eCl@ss

eCl@ss 4.0	27230207
eCl@ss 4.1	27230207
eCl@ss 5.0	27230207
eCl@ss 5.1	27230207
eCl@ss 6.0	27230207
eCl@ss 7.0	27230207
eCl@ss 8.0	19170112

ETIM

ETIM 2.0	EC001423
ETIM 3.0	EC001423
ETIM 4.0	EC001423
ETIM 5.0	EC001423

UNSPSC

UNSPSC 6.01	30211506
UNSPSC 7.0901	39121008
UNSPSC 11	39121008
UNSPSC 12.01	39121008
UNSPSC 13.2	39121008

Patch panels - FL CAT5 TERMINAL BOX - 2744610

approvals

GOST / DNV /

Approval details

GOST 

DNV

accessories

Universal tools

FL CRIMPTOOL - 2744869



Data cable by the meter

FL CAT5 HEAVY - 2744814



FL CAT5 FLEX - 2744830



Data cable preassembled

Patch panels - FL CAT5 TERMINAL BOX - 2744610

accessories

FL CAT5 HEAVY CONF/ - 2744827



FL CAT5 FLEX CONF/ - 2744843



Screwdriver tools

SZF 0-0,4X2,5 - 1204504



Passive isolators

FL ISOLATOR 100-RJ/SC - 2313928



FL ISOLATOR 100-RJ/RJ - 2313931



Patch panels - FL CAT5 TERMINAL BOX - 2744610

accessories

FL ISOLATOR 1000-RJ/RJ - 2313915



Patch cable

FL CAT5 PATCH 0,3 - 2832250



FL CAT5 PATCH 0,5 - 2832263



FL CAT5 PATCH 1,0 - 2832276



FL CAT5 PATCH 1,5 - 2832221



Patch panels - FL CAT5 TERMINAL BOX - 2744610

accessories

FL CAT5 PATCH 2,0 - 2832289



FL CAT5 PATCH 3,0 - 2832292



accessories

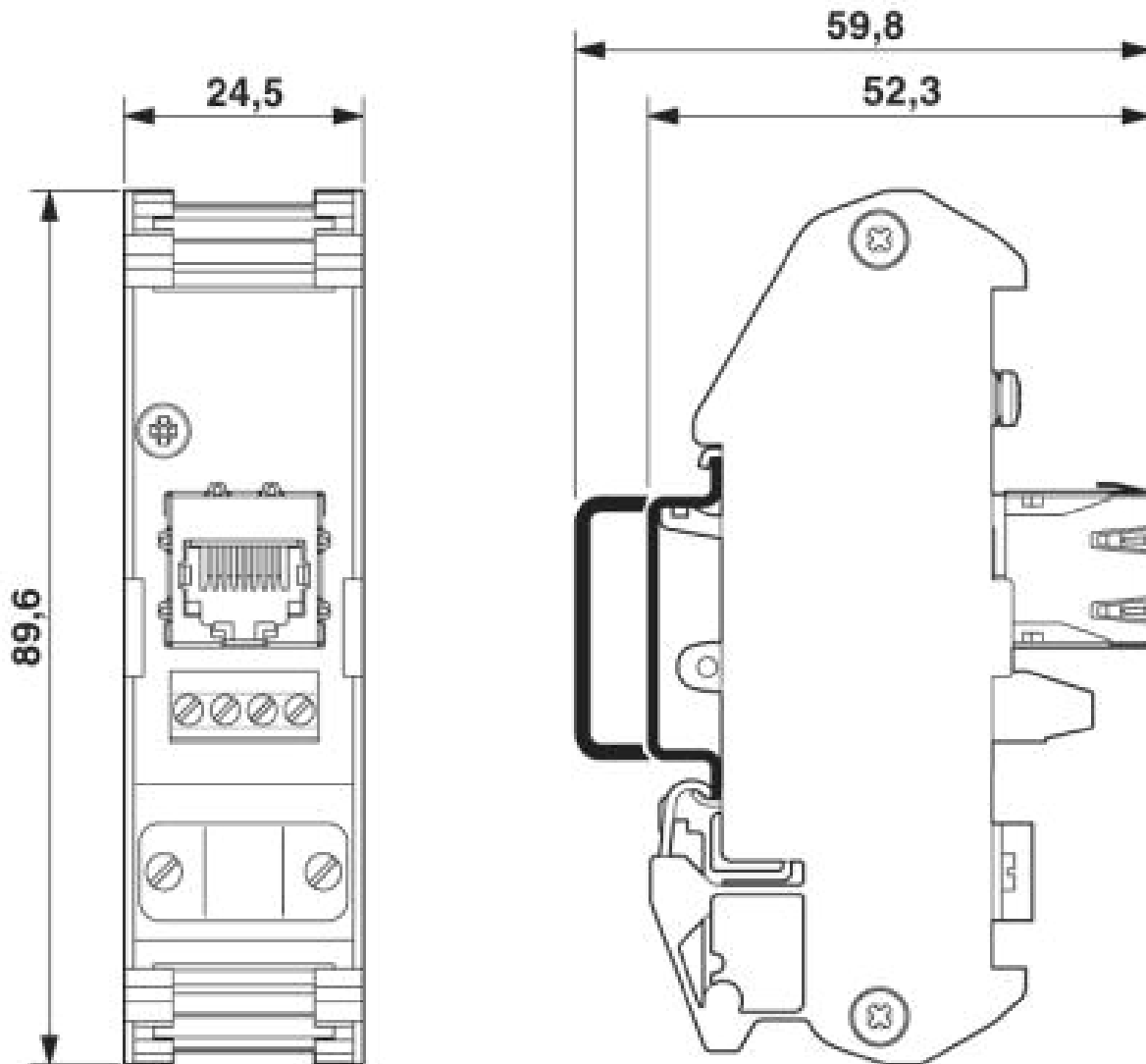
VS-CABLE-STRIP-VARIO - 1657407



Drawings

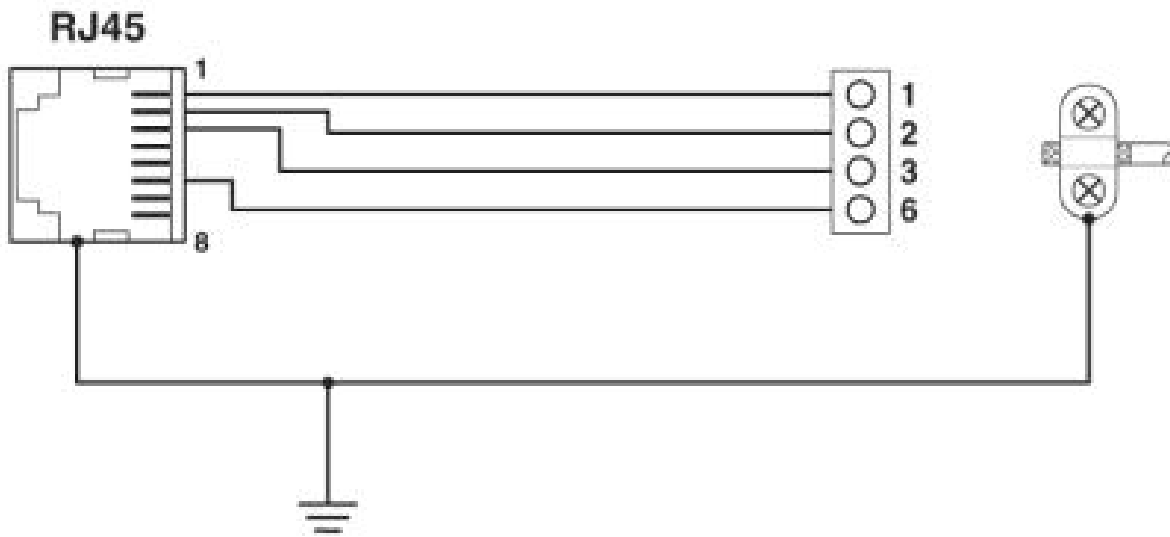
Patch panels - FL CAT5 TERMINAL BOX - 2744610

Dimensioned drawing



Patch panels - FL CAT5 TERMINAL BOX - 2744610

Circuit diagram



© Phoenix Contact 2014 - all rights reserved
<http://www.phoenixcontact.com>